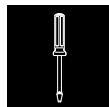
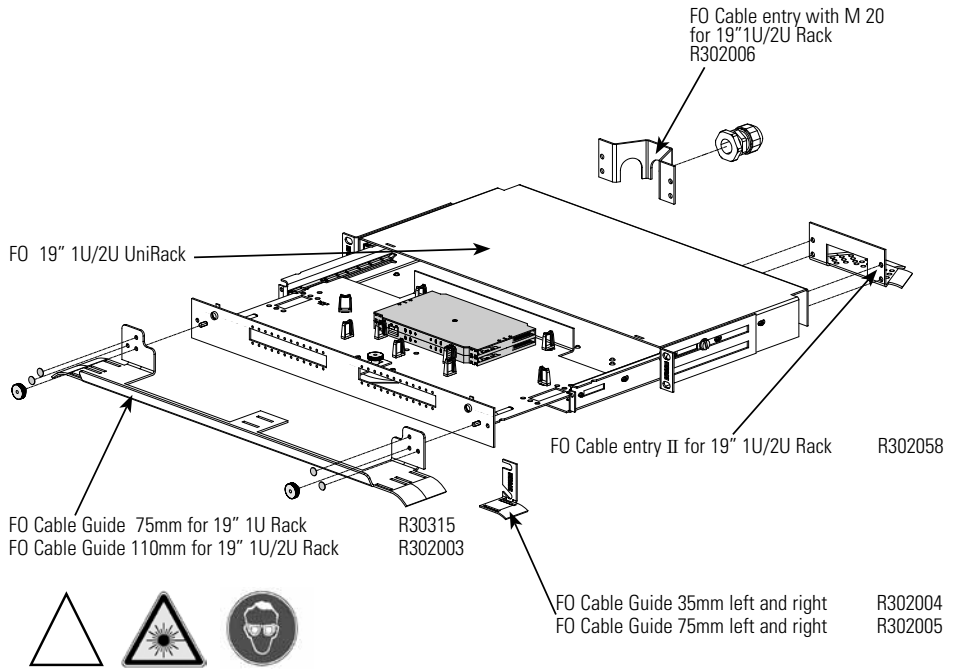


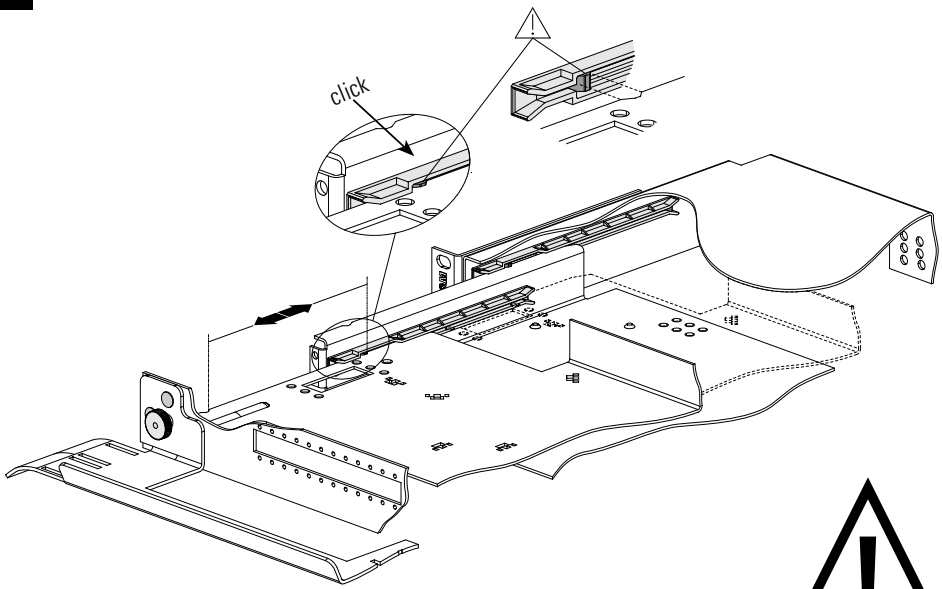
Installationsanleitung UniRack
Installation guide UniRack
Instructions de montage UniRack

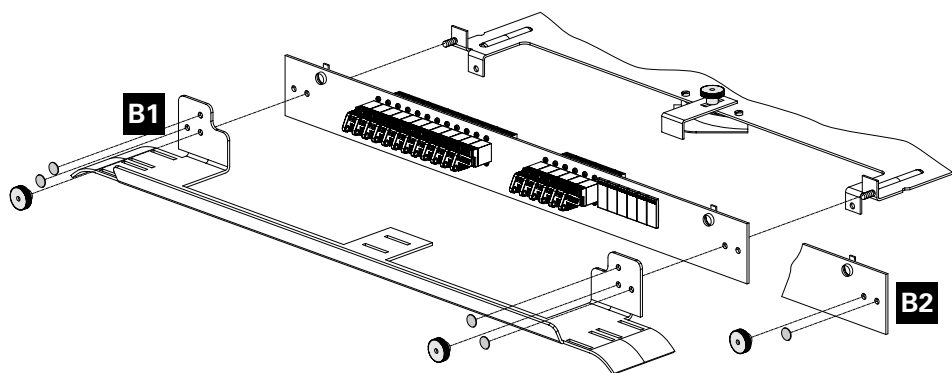
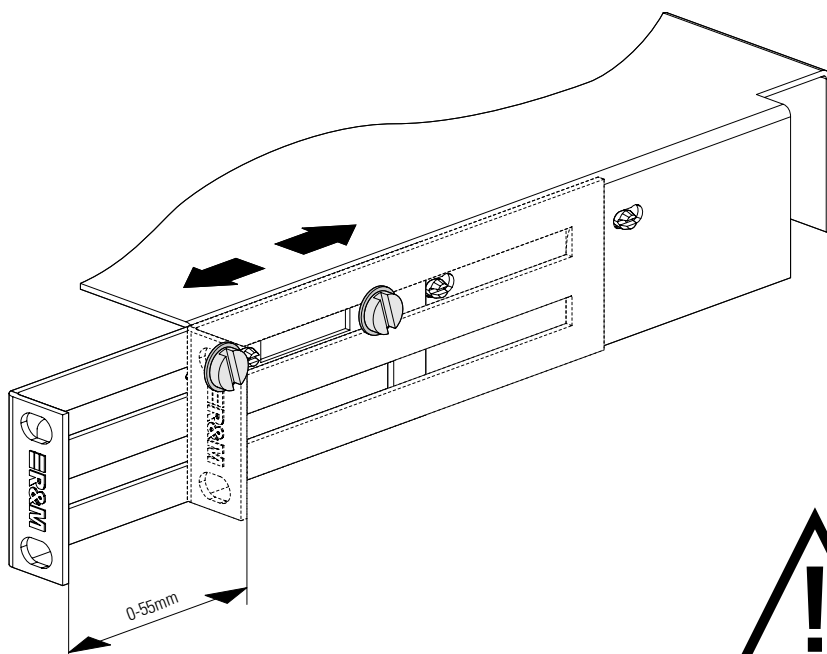


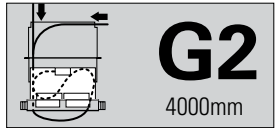
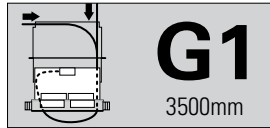
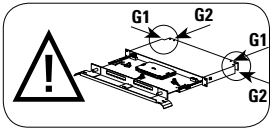
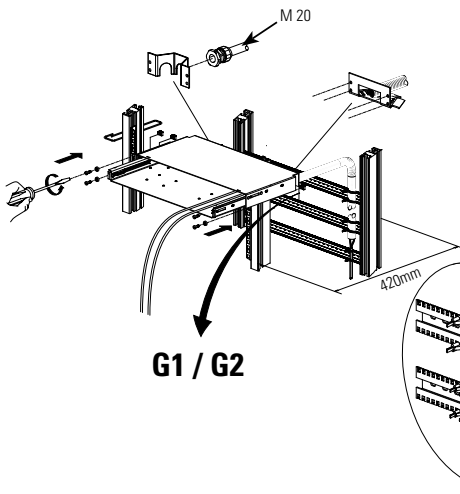
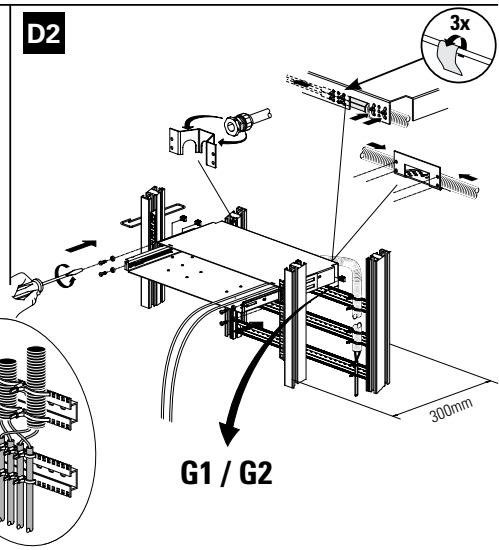
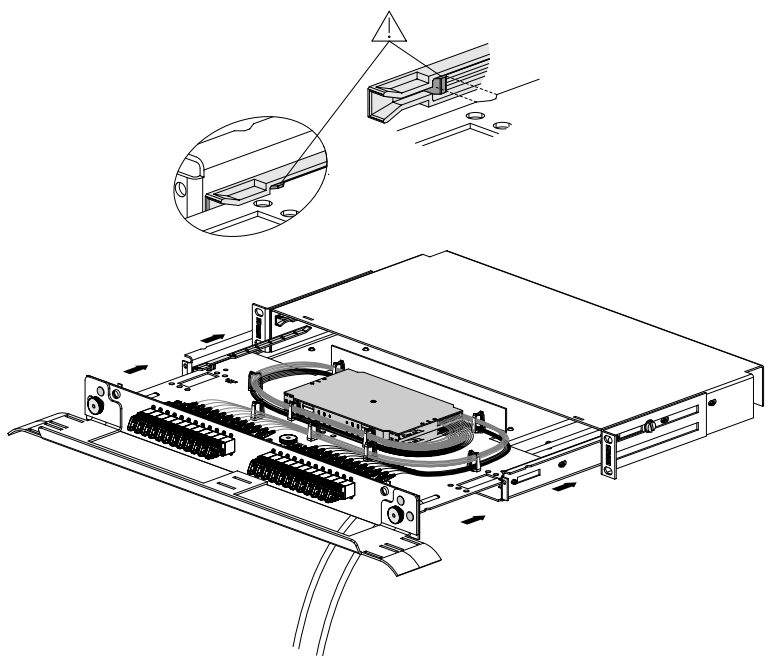
030.1009



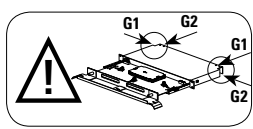
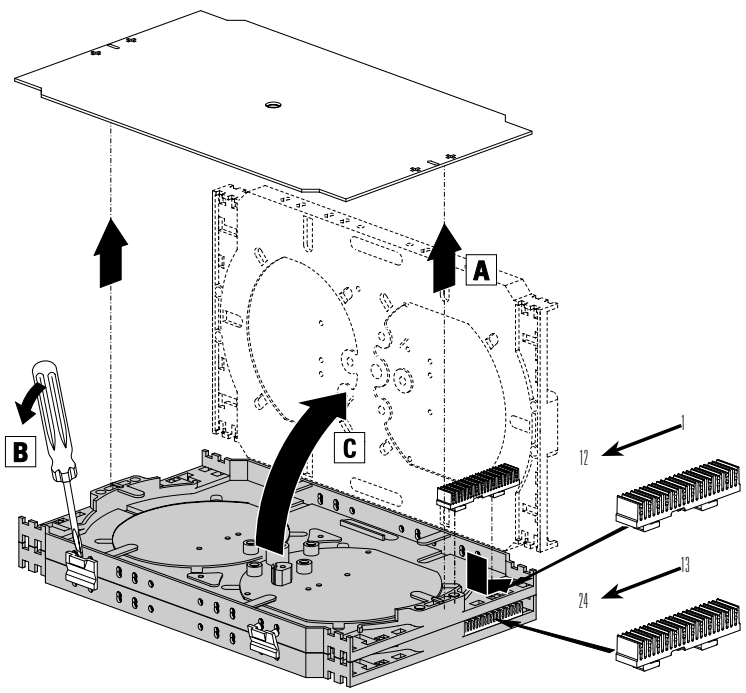
A



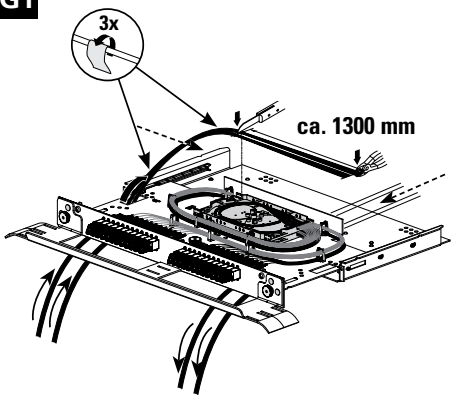
B**C**

D**D1****D2****E**

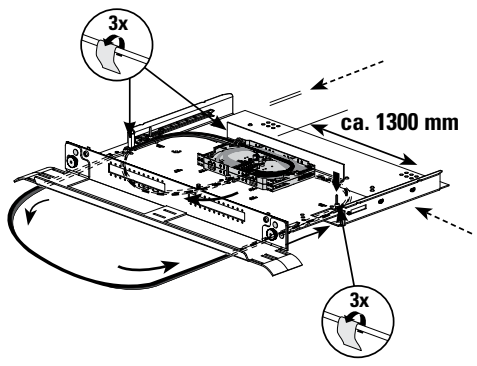
F



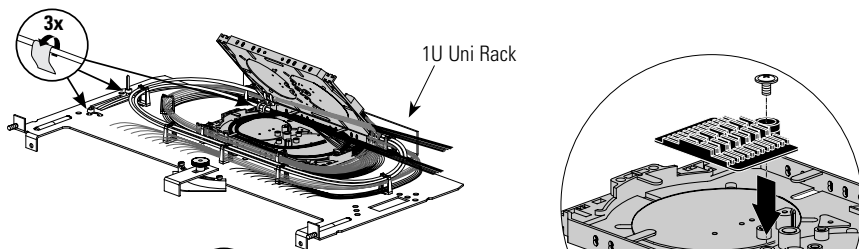
G1



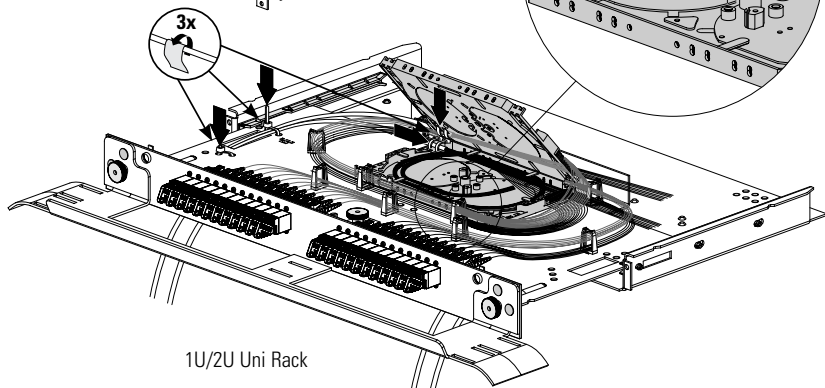
G2



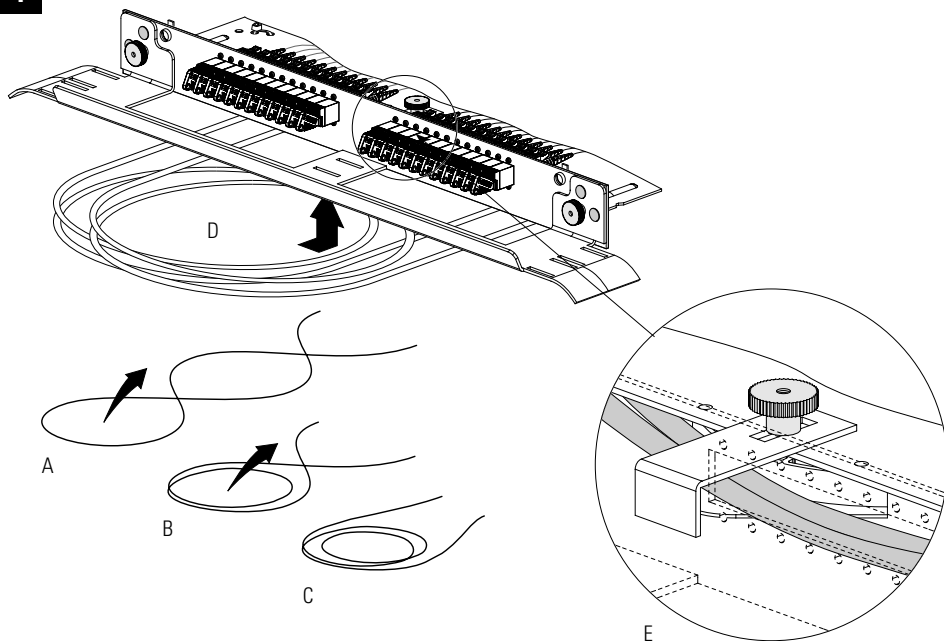
H2



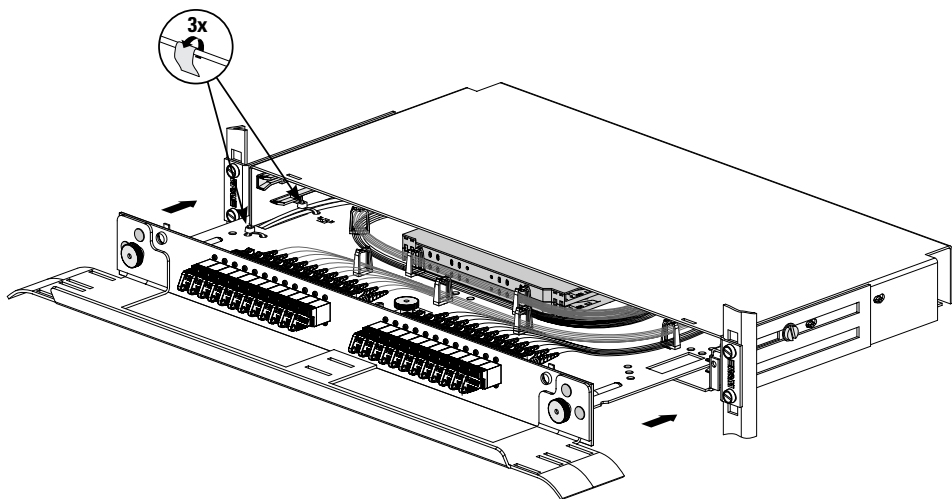
H1



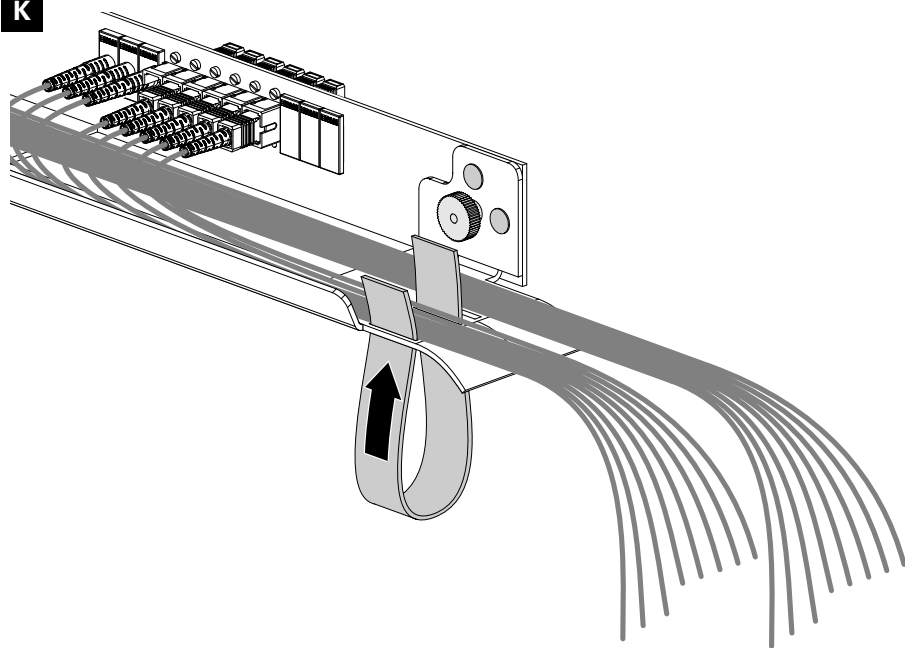
I

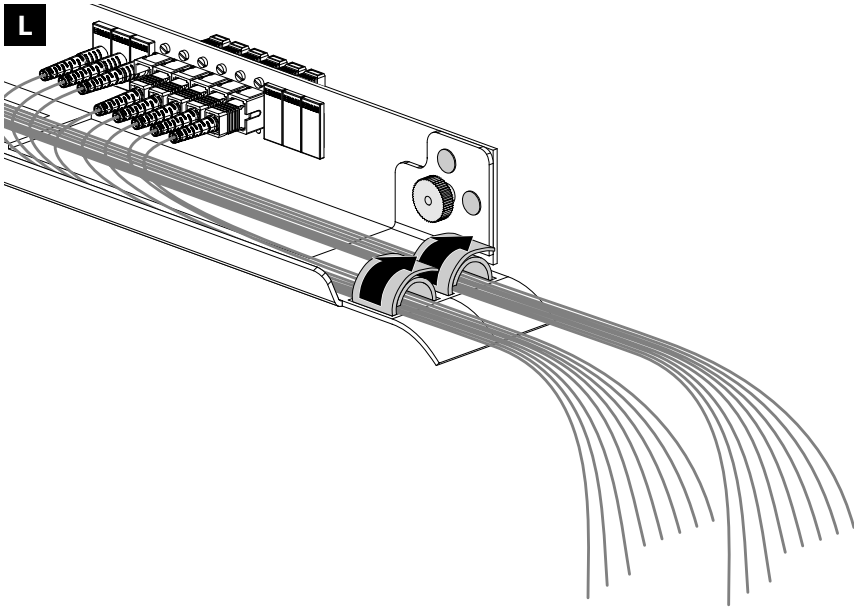


J



K





Devices with this accessory installed are required to comply with and be marked as specified in Code of Federal Regulations (CFR), Title 21, Part 1040, and the Canadian Radiation Emitting Devices Act, REDR C1370 if applicable.

This accessory shall only be used with UL Listed ITE equipment.

Headquarters

Switzerland

Reichle & De-Massari AG

Binzstrasse 32

CHE-8620 Wetzikon

Telephone HQ +41 (0)44 933 81 11

Telefax HQ +41 (0)44 930 49 41

E-Mail hq@rdm.com

www.rdm.com

