

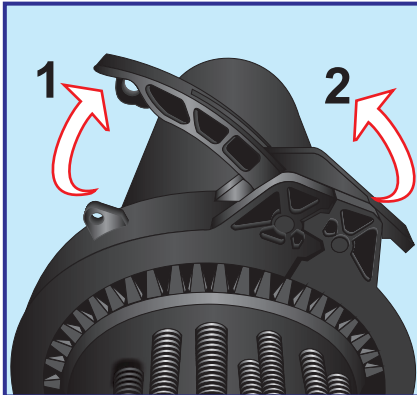
INSTALLATION INSTRUCTIONS

R&M Type FTTx FIBER OPTIC DOME CLOSURE

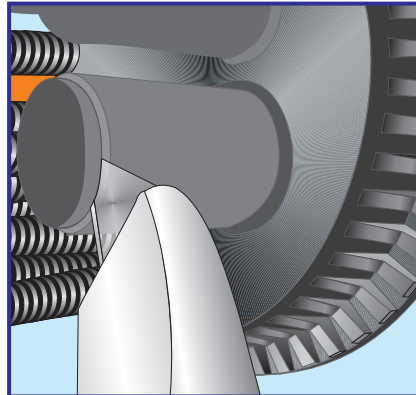
TFO-FTTx-001-RI

WAIVER

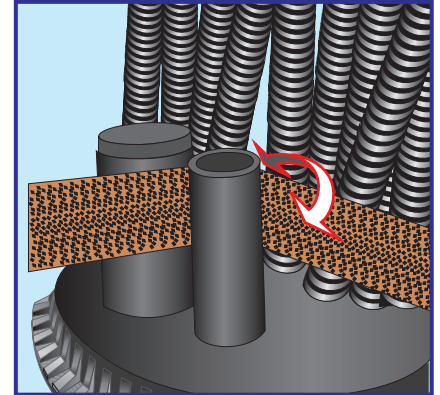
While the information contained in this brochure has been carefully compiled to the best of our present knowledge, it is not intended as representative of warranty of any kind on our part regarding the suitability of the products concerned for any particular use or purpose, and neither shall any statement contained herein be construed as a recommendation to infringe any industrial property rights or as a license to use any such rights. The suitability of each product for any particular purpose must be checked beforehand with our specialists.



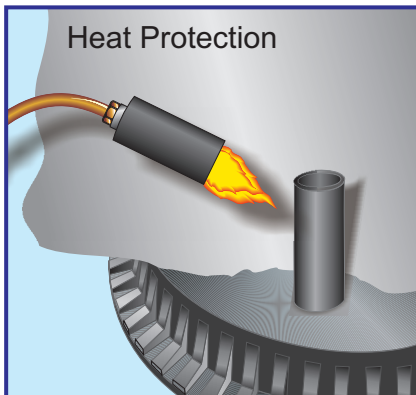
1 Open packaging and remove the closure. Remove clamp and cover. Read instructions carefully before proceeding.



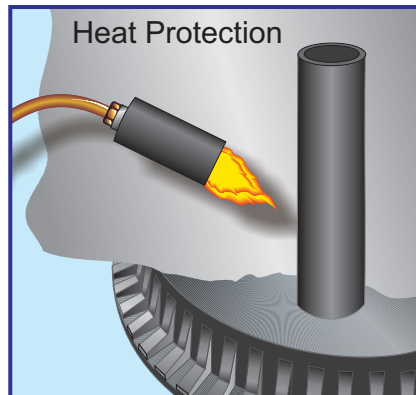
2 When using the rigid ports, open the end of the selected port using a suitable tool.



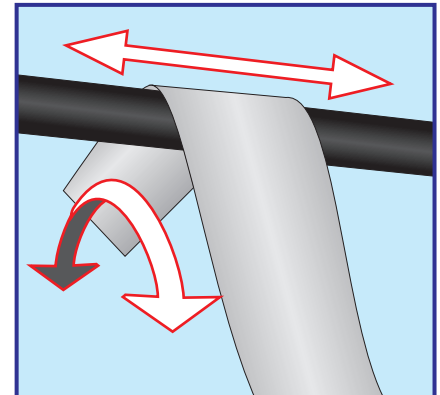
3 Abrade the selected open port. (Not required when using a rubber cablegrip).



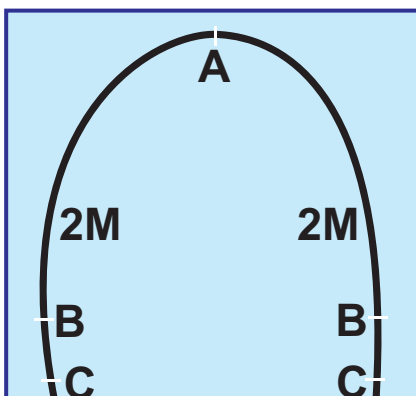
4 Flame brush port prior to applying heatshrinkable sleeve while protecting the other entry ports. (Not required when using a rubber cablegrip).



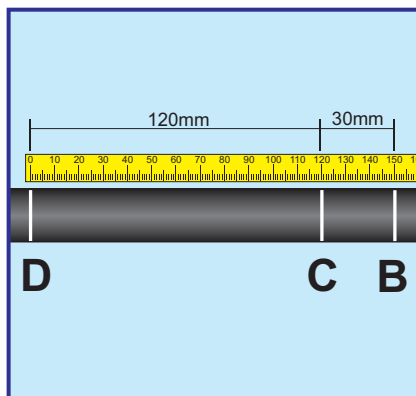
5 Place heatshrink over the open port and shrink down leaving approx 10mm unrecovered at the end of the port. (Not required when using a rubber cablegrip).



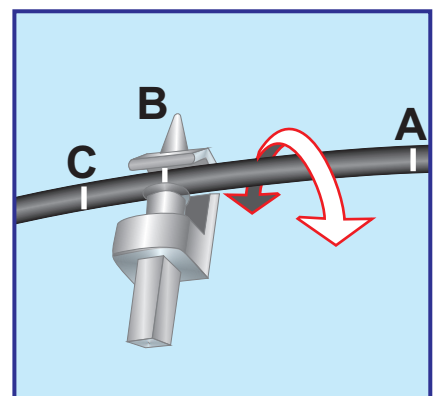
6 Clean the cable for a length of 4 metres for looped cables and 2 metres for single cable applications.



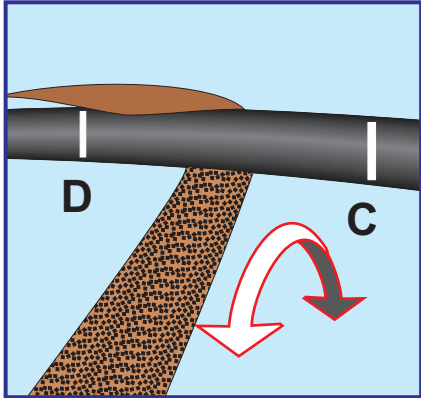
7 Mark position 'B' to 'B' through 'A' to required length for looped cables.



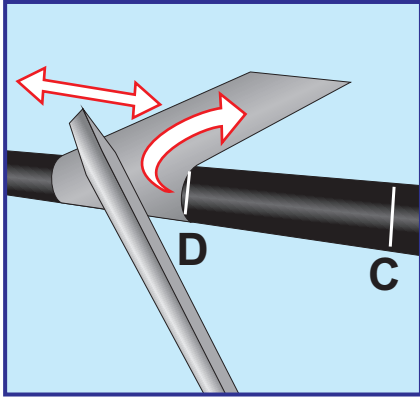
8 Mark the cable position 'C' 30mm from sheath butt position 'B' and 'D' 120mm from 'C' away from 'A'. (Not required when using a rubber cablegrip).



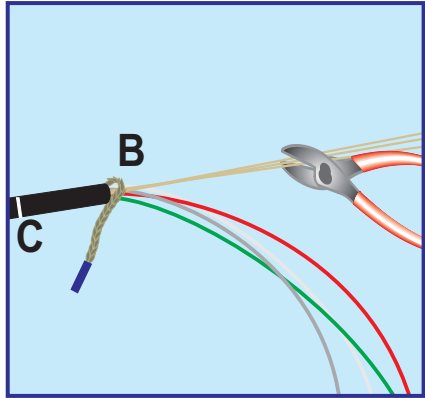
9 Remove the cable's outer sheath from position 'A' to 'B', for looped cables 'B' to 'B' through 'A' and prepare in accordance with standard jointing practice.



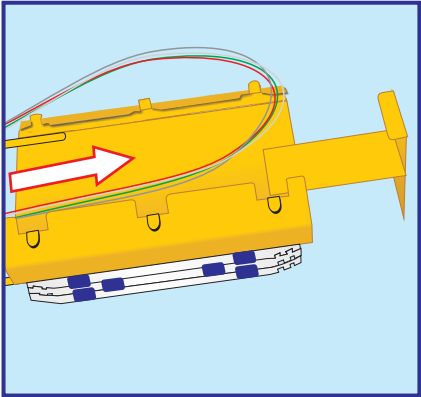
10 Abrade and flamebrush the cable between positions 'C' and 'D'. (Not required when using a rubber cablegrip).



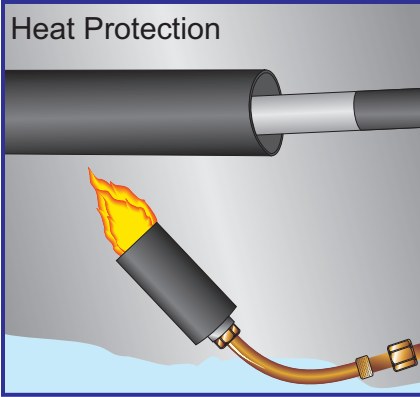
11 Apply the aluminium tape at position 'D' and smooth down with a suitable tool. (Not required when using a rubber cablegrip).



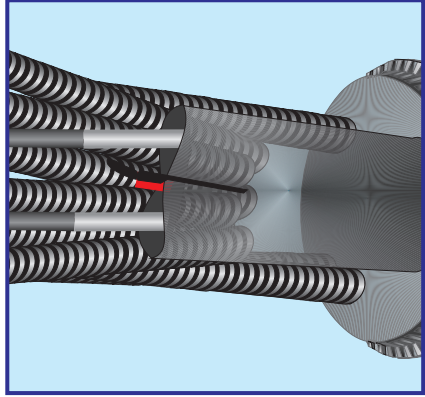
12 Cut the strength member 'GRP' 150mm from position 'B'.



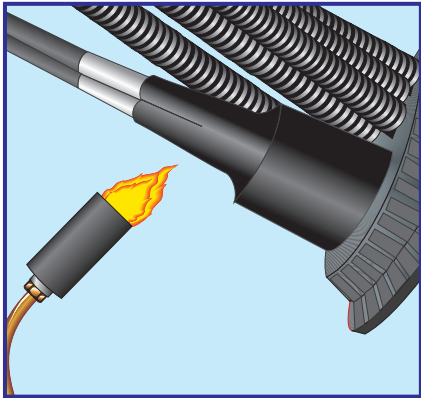
13 Carefully feed the fibre tubes through the prepared port.



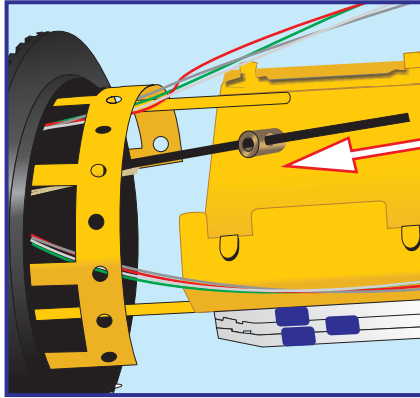
14 The cable should be positioned with the aluminium tape $\pm 10\text{mm}$ inside the heatshrinkable sleeve. Shrink down onto the cable and allow to cool down completely.



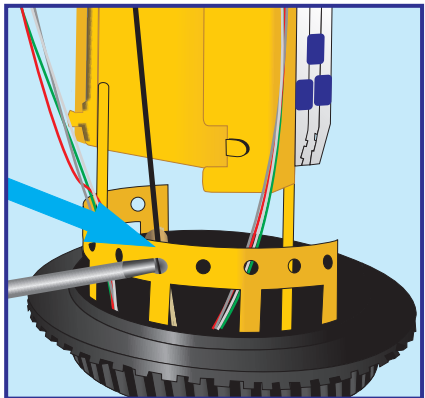
15 **When using the oval port:** Separate the cables and insert the branch clip. (Not required when using a rubber cablegrip)



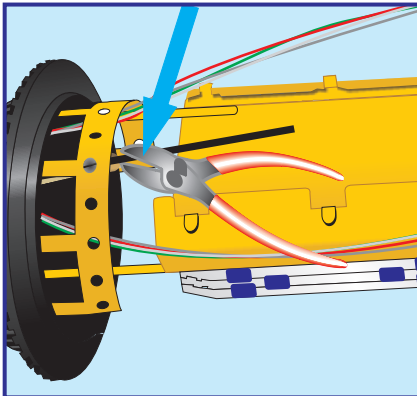
16 Shrink the tube down onto the cable and allow to cool down. (Not required when using a rubber cablegrip)



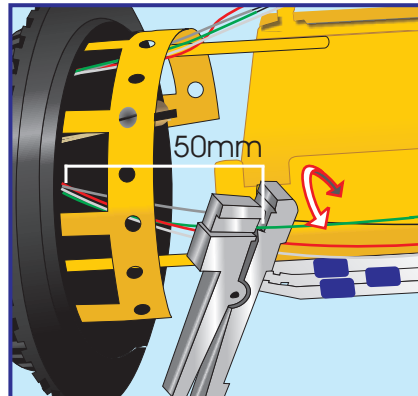
17 Fit the "anchor in" onto the strength member and line up with the anchor ring.



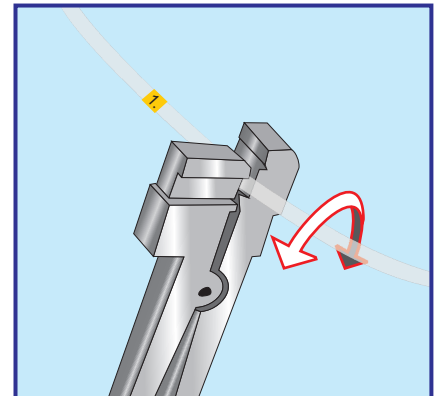
18 Fit the "anchor out" and secure to anchor ring.



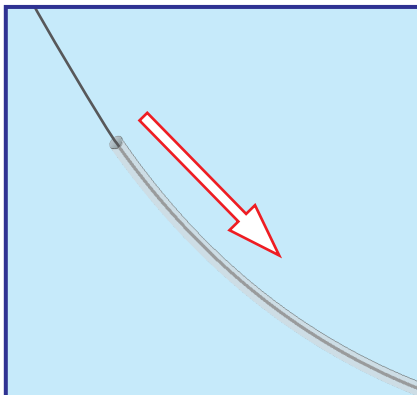
19 Cut the 'GRP' strength member 10mm above the anchor ring.



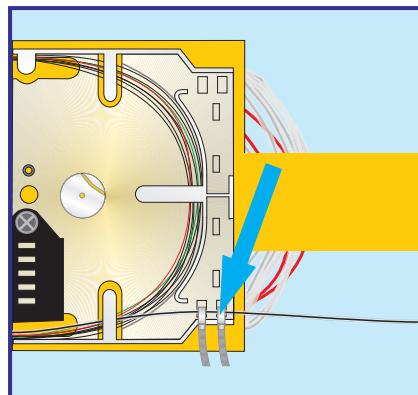
20 Cut the fibre tubes to a suitable length $\pm 50\text{mm}$. Fibre tubes can be routed uncut to the organiser tray and storage basket.



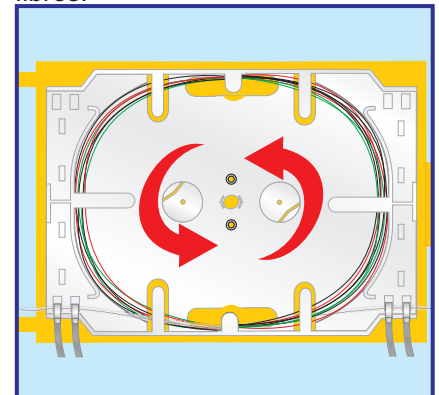
21 Fit the tube marker onto the transportation tube and cut to the desired length with a suitable tool taking care not to damage the bare fibres.



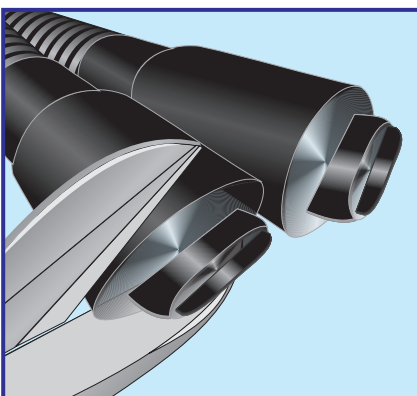
22 Feed the bare fibres through the transportation tube to the sheath opening of the cable.



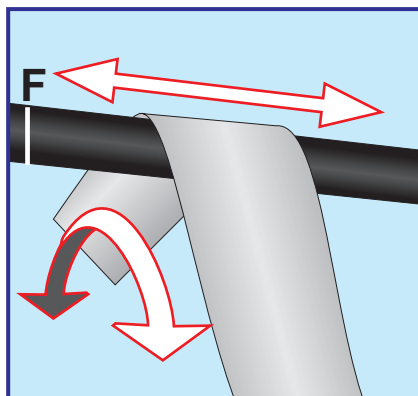
23 Secure the transportation tube to the organiser tray with cable ties. Wrap cloth tape to fibre tube under cable ties.



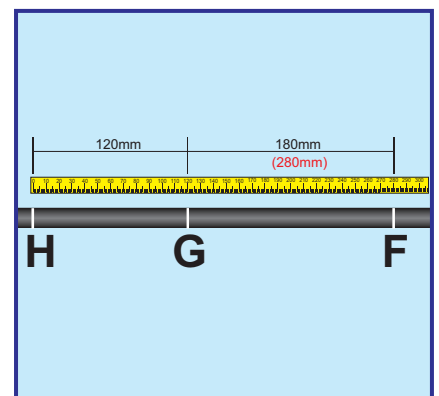
24 Route the bare fibres in the organizer and before repeating steps 20-24 with the remaining fibre tubes.



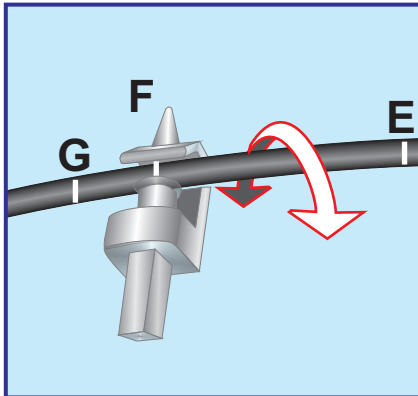
25 **When using the flexible ports:** Open the end of the selected port using a suitable tool.



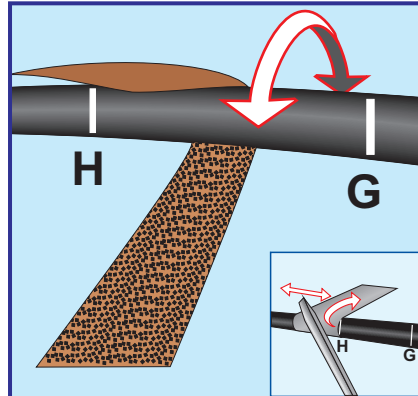
26 . Mark the open end of the Cable 'E', Clean a further 2 meter and mark the butt position 'F'.



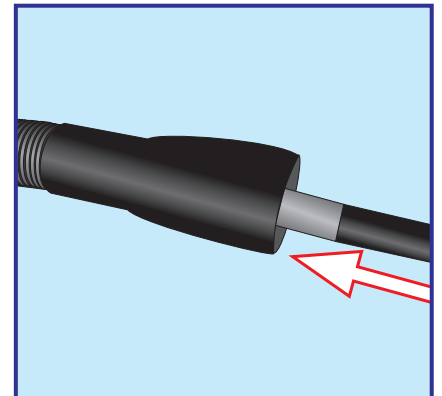
27 Mark the cable position 'C' 180mm from sheath butt position 'F' and 'H' 120mm from 'G'.
(NB: For 300m flexi mark position 'G' 280mm from 'F').



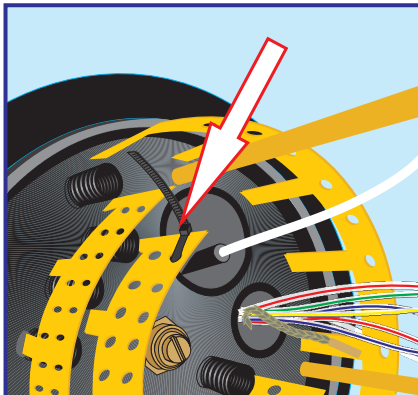
28 Remove the cable's outer sheath from position 'F' to 'G' and prepare in accordance with standard jointing practice.



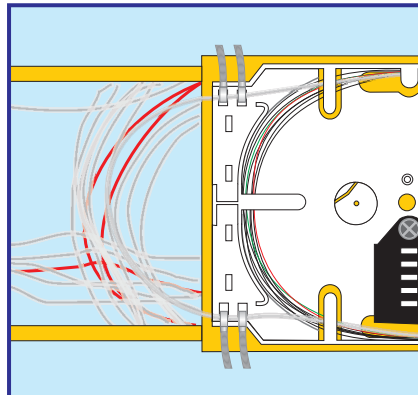
29 Abrade and flamebrush the cable between positions 'G' and 'H' and apply aluminium tape at position 'H'.



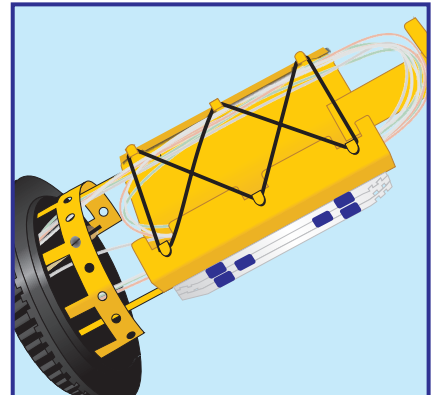
30 The cable should be positioned with the aluminium tape $\pm 10\text{mm}$ inside the heatshrinkable sleeve. Shrink down onto the cable and allow to cool down completely.



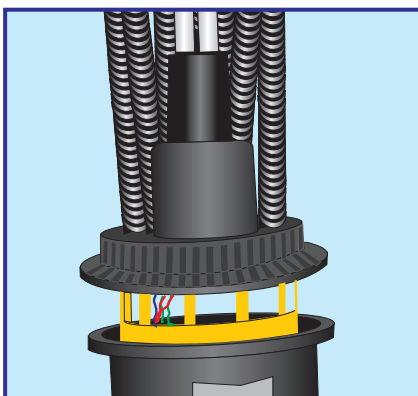
31 Secure the cable to the strain relief with cable ties. Store excess fibre tubes in the storage basket.



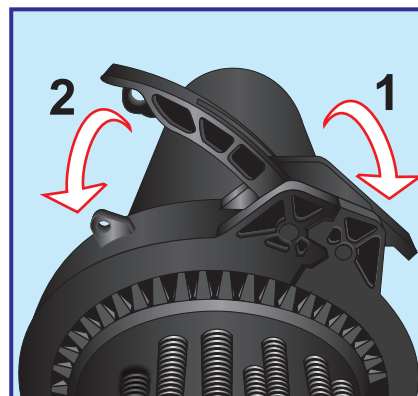
32 Secure the fibre/transportation tube to the organiser tray with cable ties. Route and splice as per standard practice.



33 Secure all fibre/transportation tubes in the storage basket and replace strap. Fit organiser cover and lock all clips in place.



34 Check that the 'O' Ring is not damaged, free from any dirt and seated properly. Fit cover onto the closure.



35 Tighten the clamp to seal (To re-enter, loosen clamp and remove cover).

Reichle & De-Massari AG
 Binzstrasse 31
 CH-8622 Wetzikon
 Telefon +41 (0)44 933 81 11
 Telefax +41 (0)44 930 49 41
 www.rdm.com