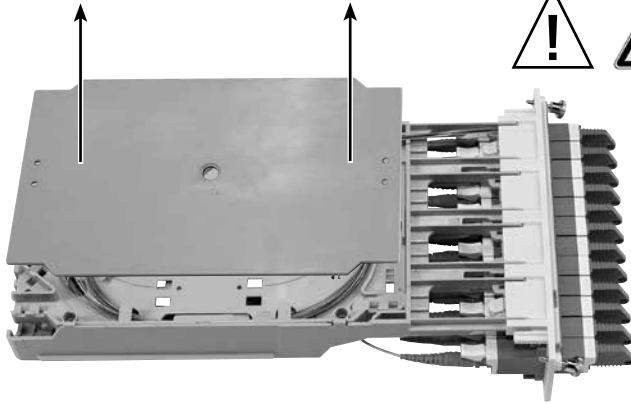


021.1116

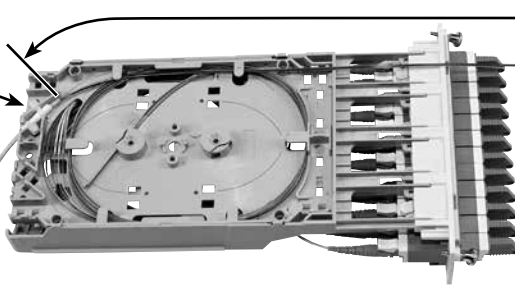
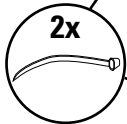
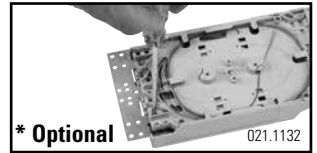


A1



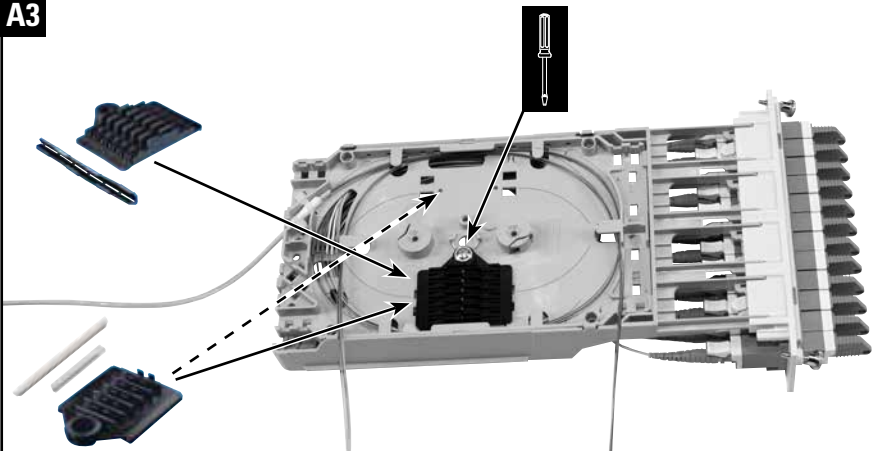
021.1119 / 021.1121

A2



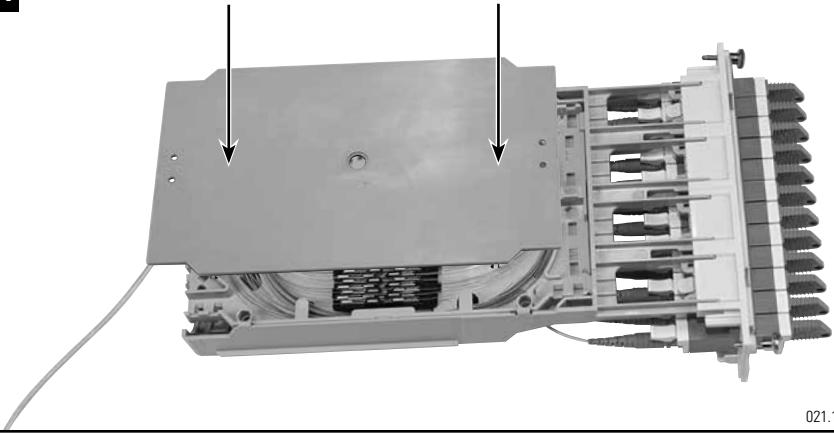
021.1122

A3



021.1123

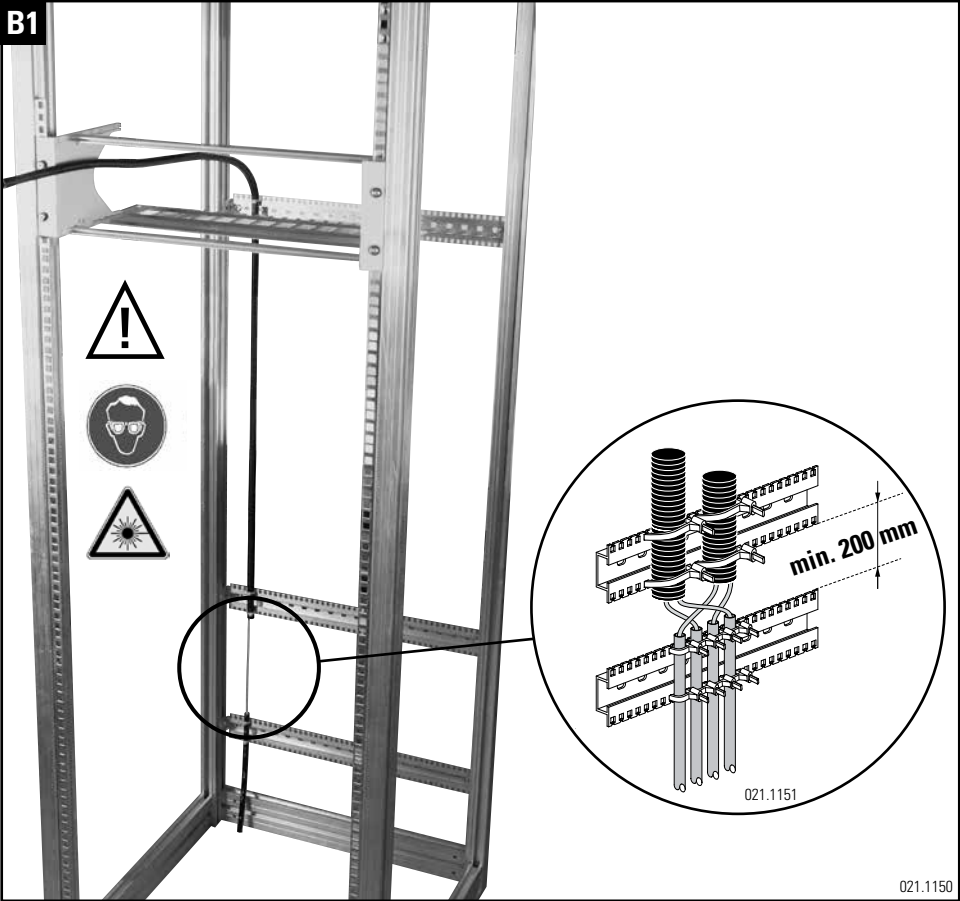
A4



021.1119 / 021.1152

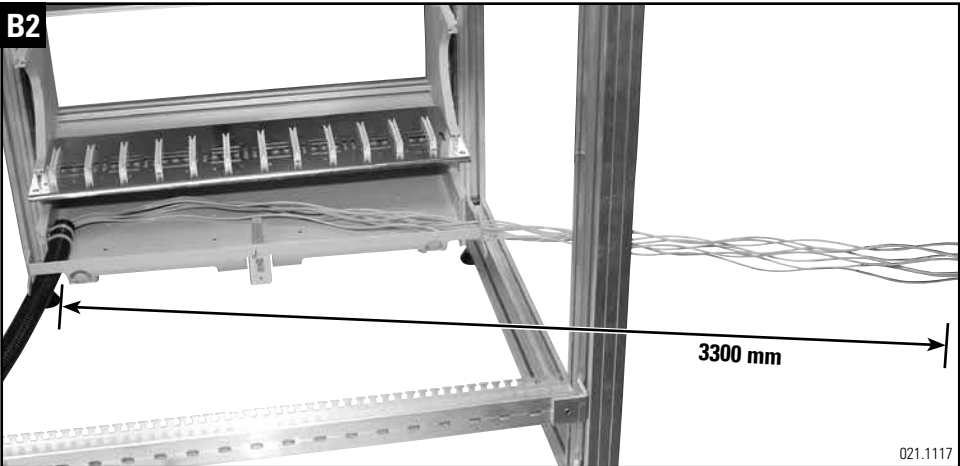
Anwendung 1: 144 Fasern 3HE / Application 1: 144 fibers 3U

B1



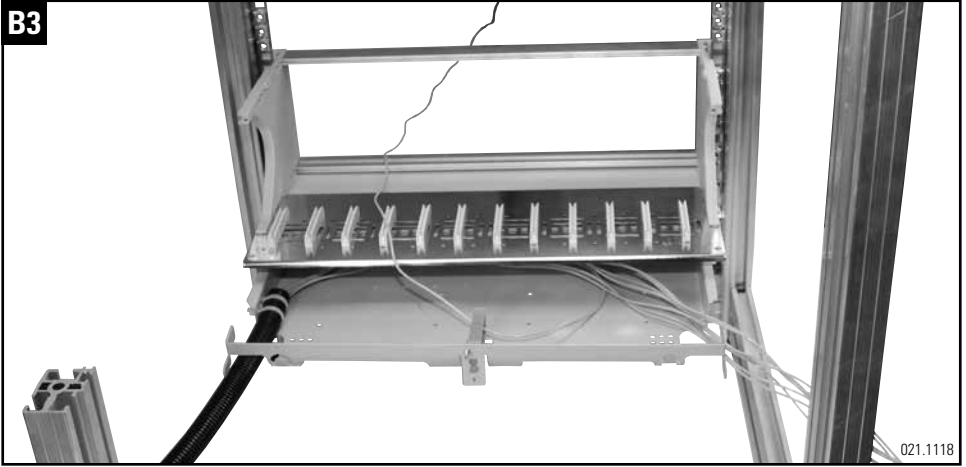
021.1150

B2



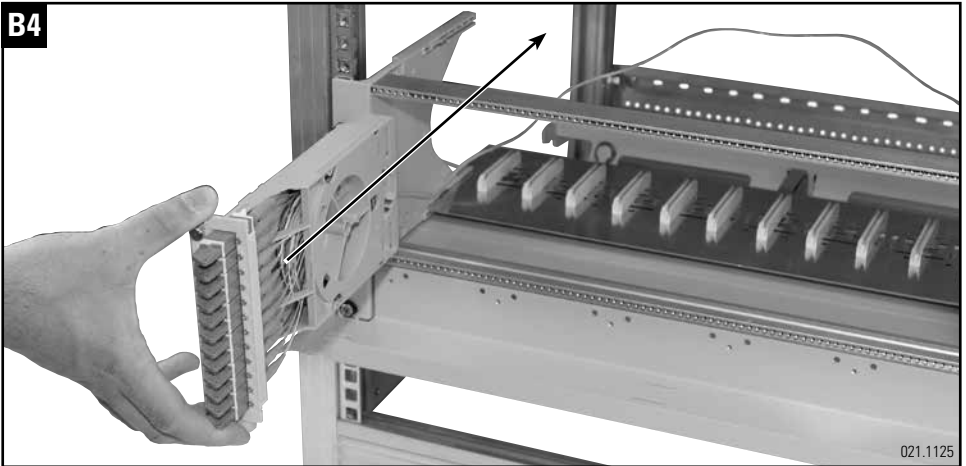
021.1117

B3



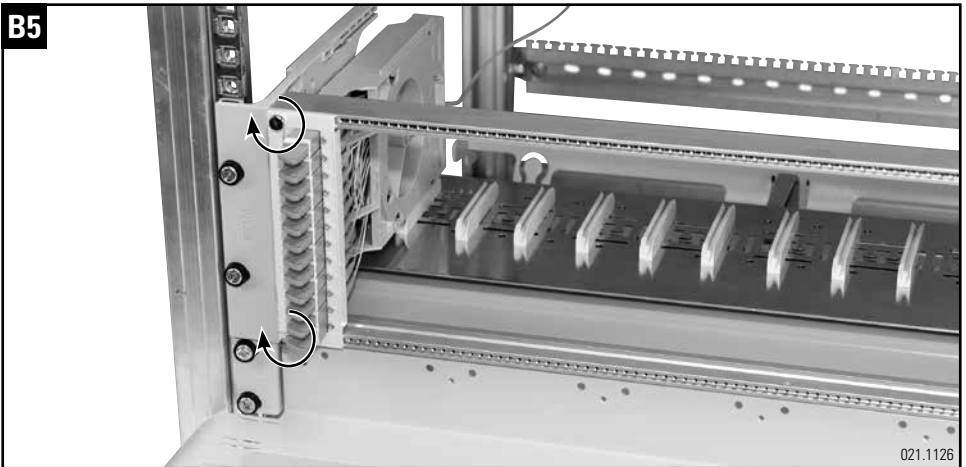
021.1118

B4



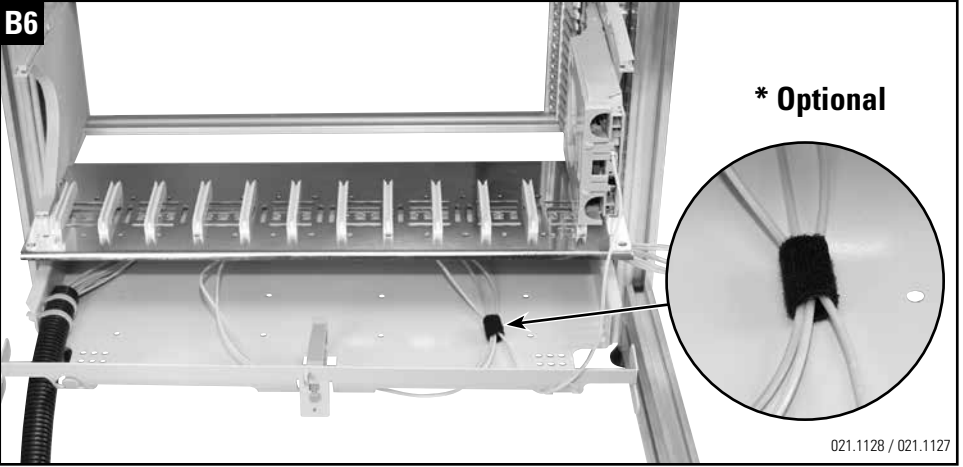
021.1125

B5

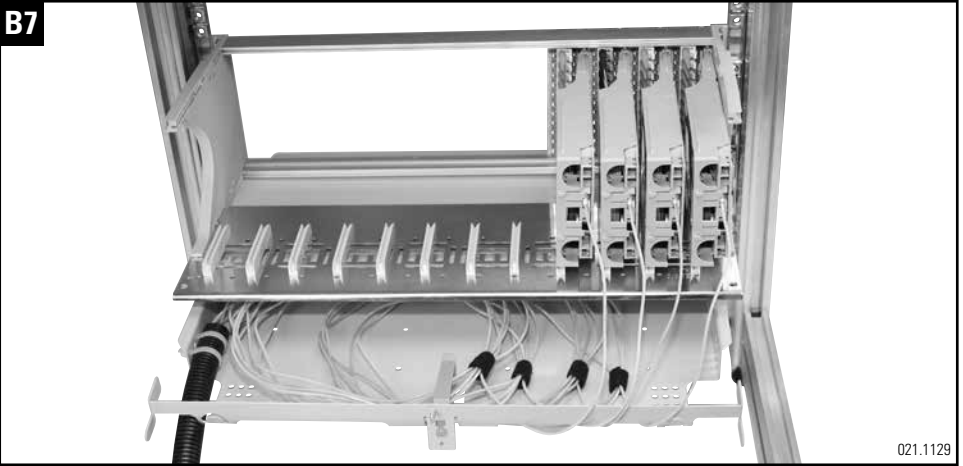


021.1126

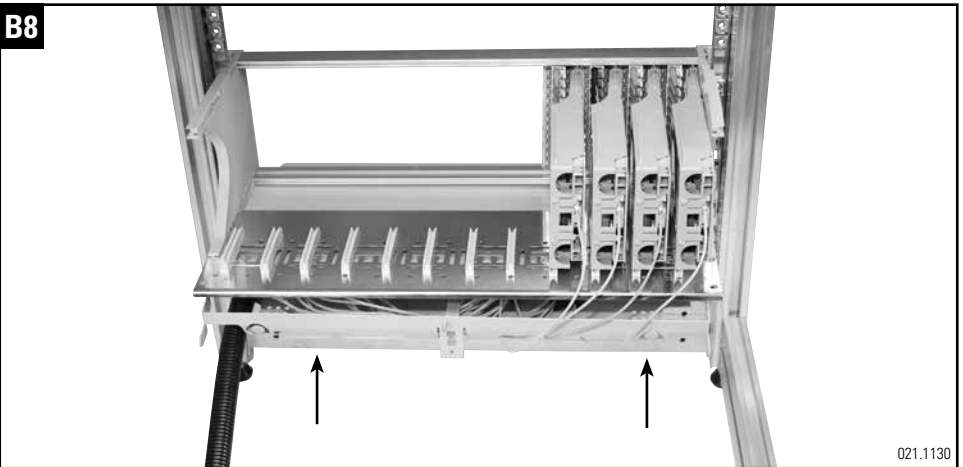
B6



B7

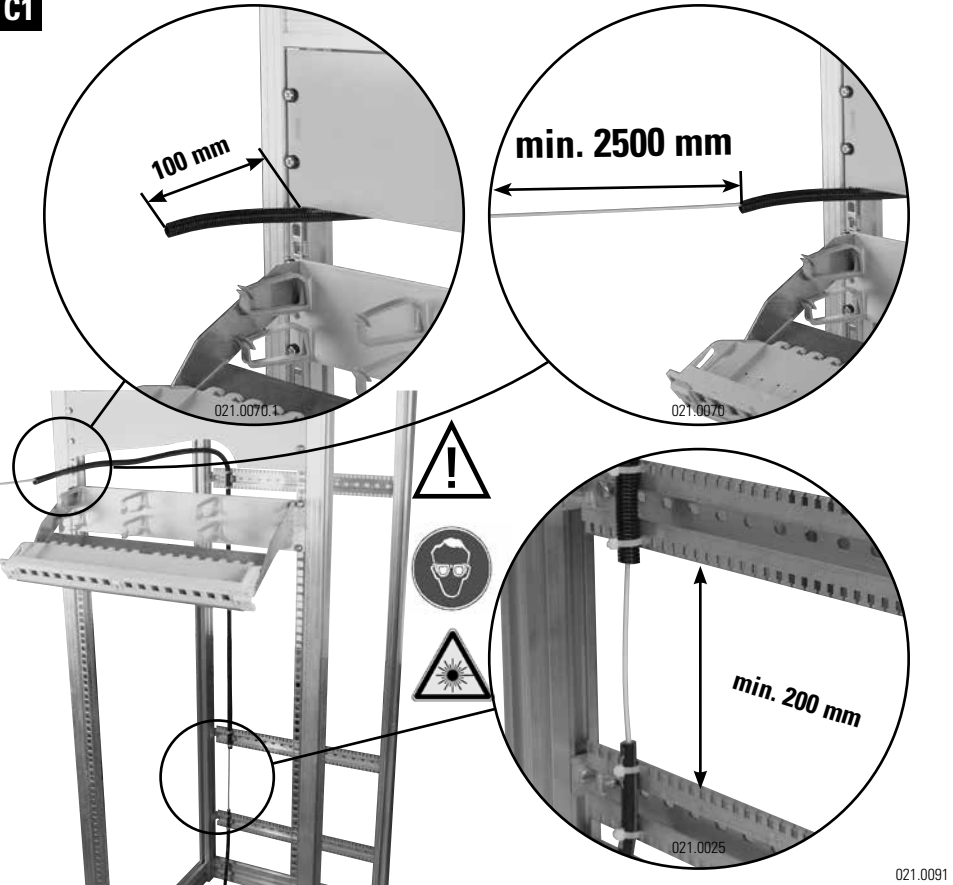


B8

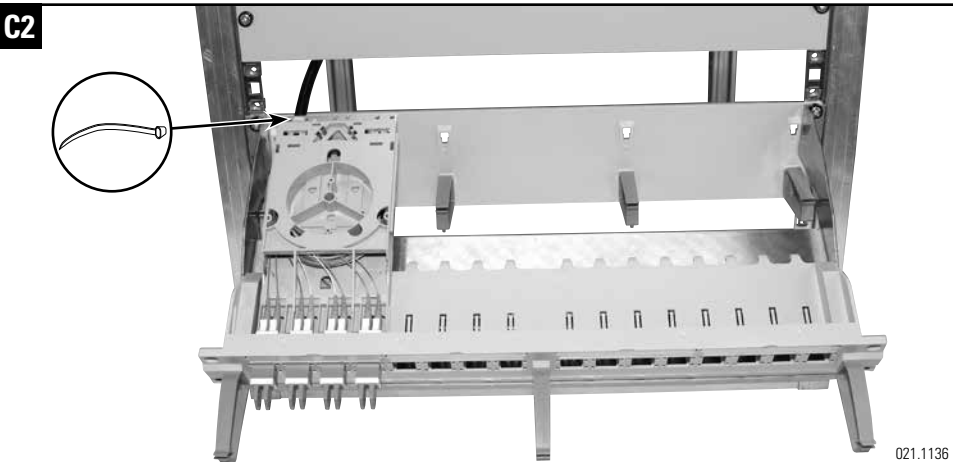


Anwendung 2: 32 Fasern 1HE smart holes / Application 2: 32 fibers 1U smart holes

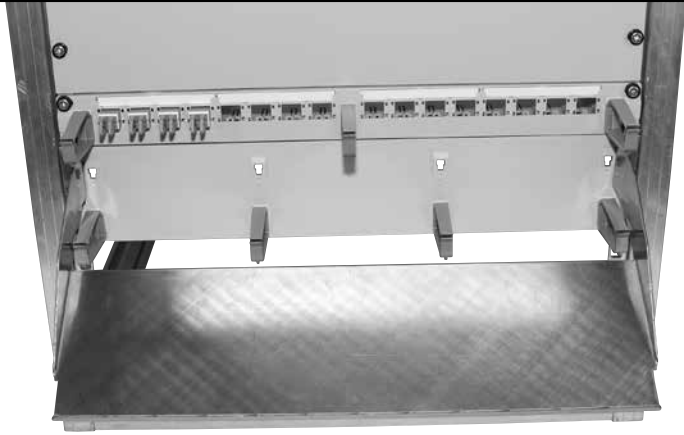
C1



C2



C3



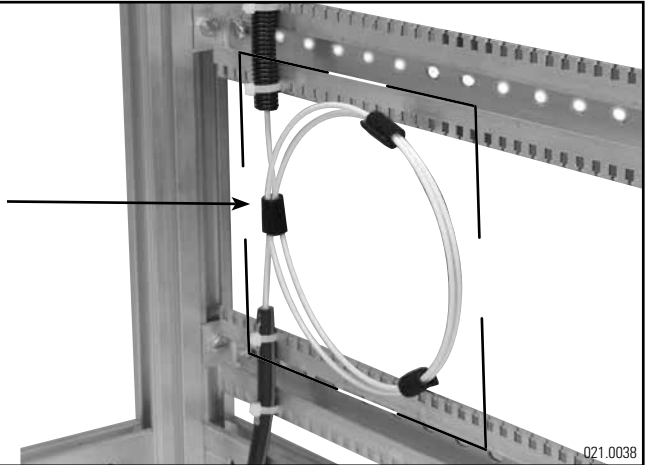
021.1137

C4



*** Optional**

021.0039



021.0038

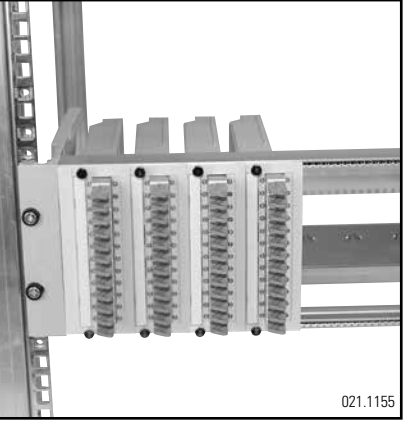
Anwendung 3: 120 Fasern 3HE / *Application 3: 120 fibers 3U*

D1



021.1153 / 021.1154

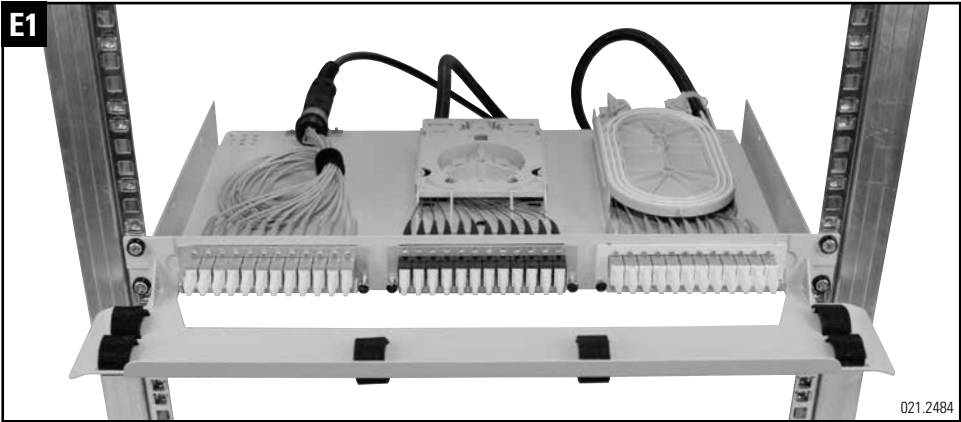
D2



021.1155

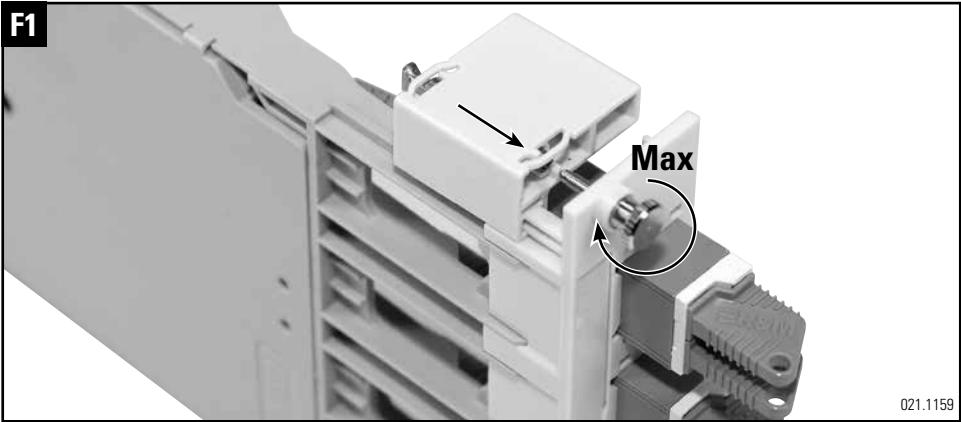
Anwendung 4: 36 Fasern 1HE / *Application 4: 36 fibers 1U*

E1



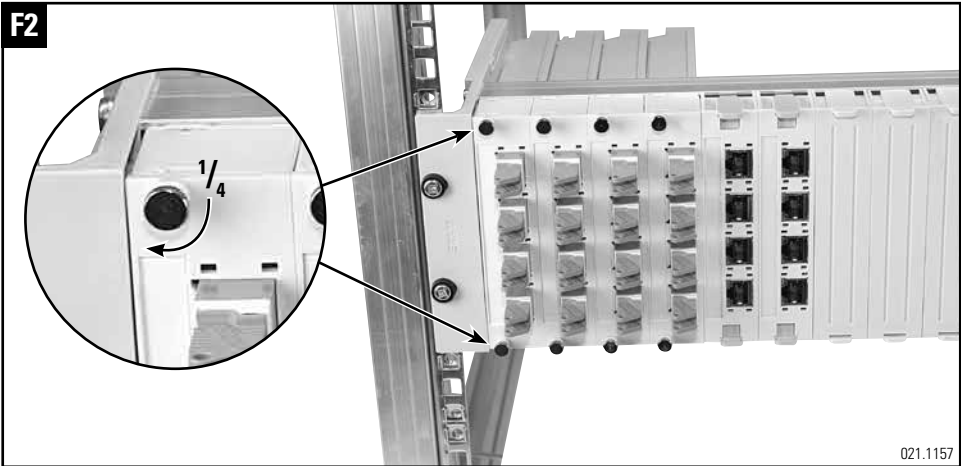
Anwendung 5: 120 Fasern 3HE smart holes / Application 5: 120 fiber 3U smart holes

F1



021.1159

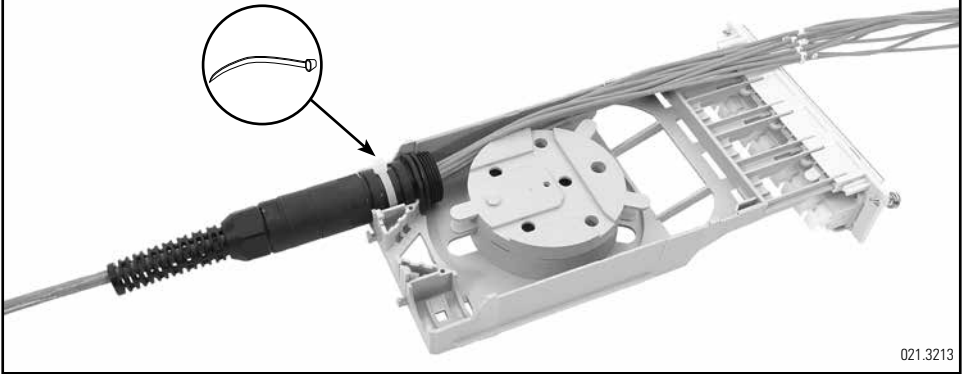
F2



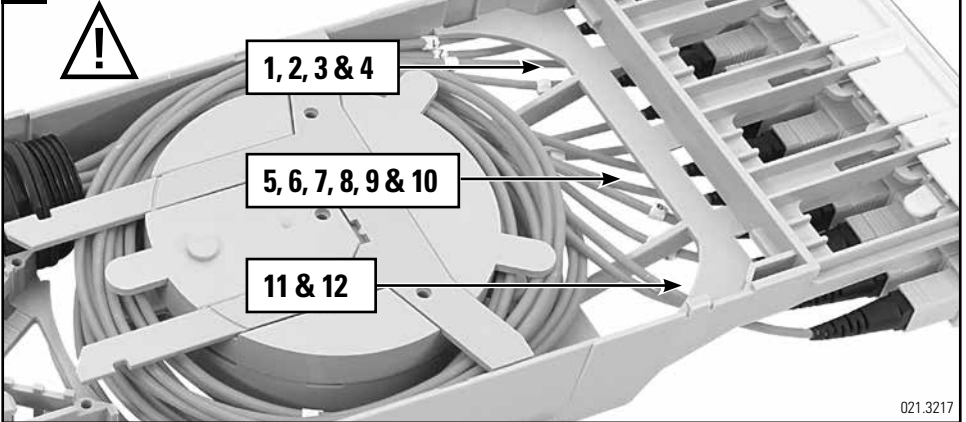
021.1157

Anwendung 6: VARIOline & Breakout / Application 6: VARIOline & Breakout

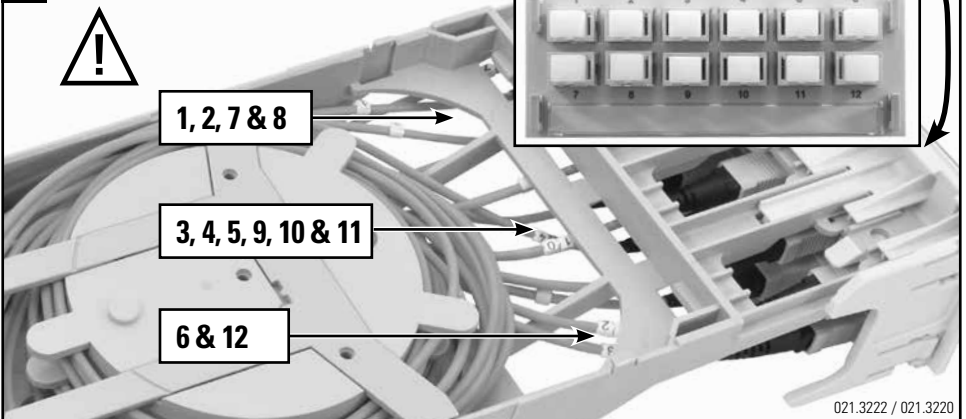
G1



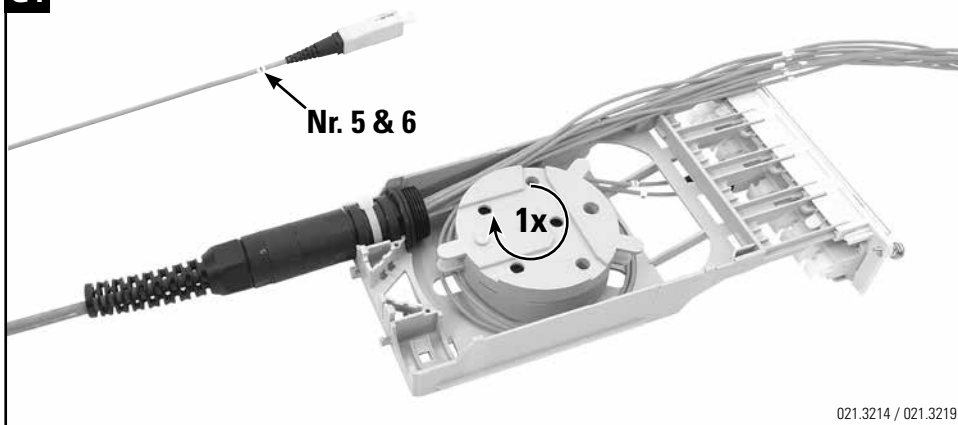
G2 7TE & HD 1 Reihe / 7HP & HD 1 row



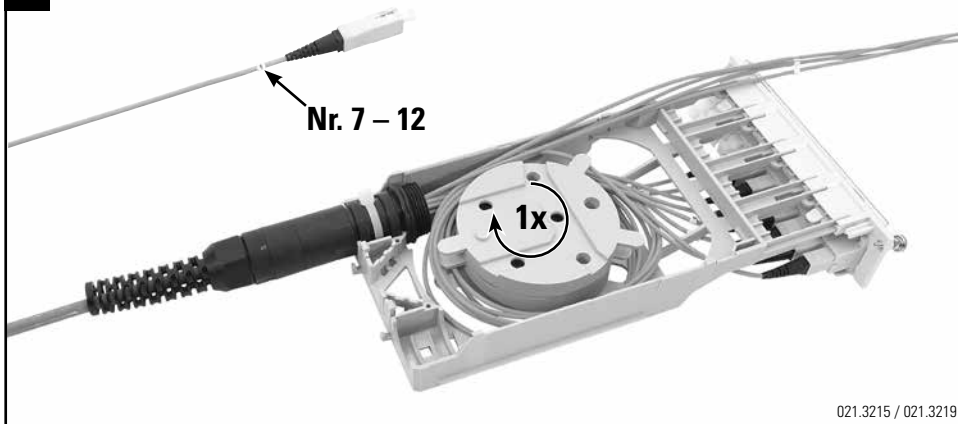
G3 HD 2 Reihen / HD 2 rows



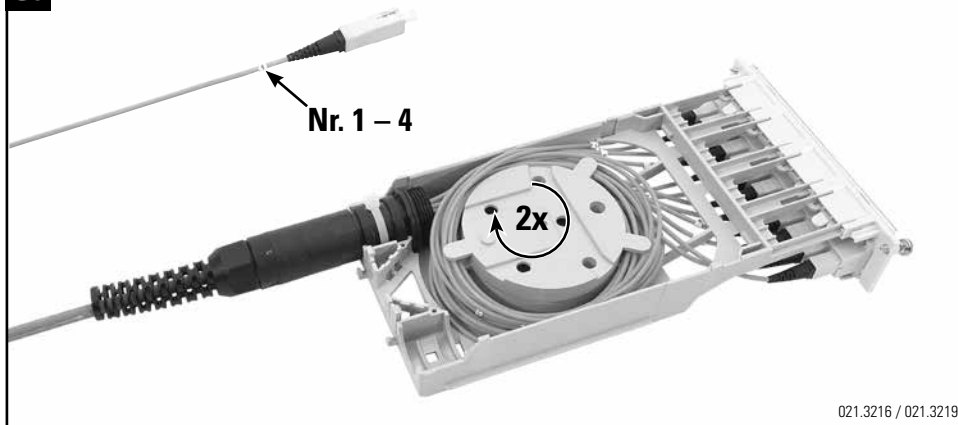
G4



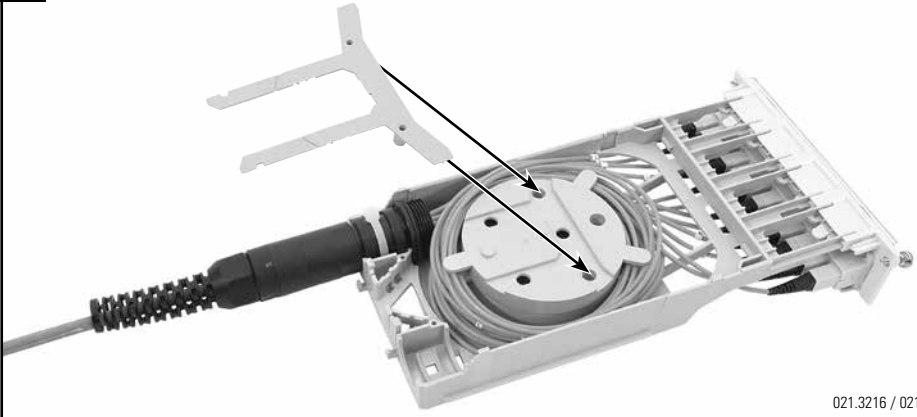
G5



G6



G7



021.3216 / 021.3218

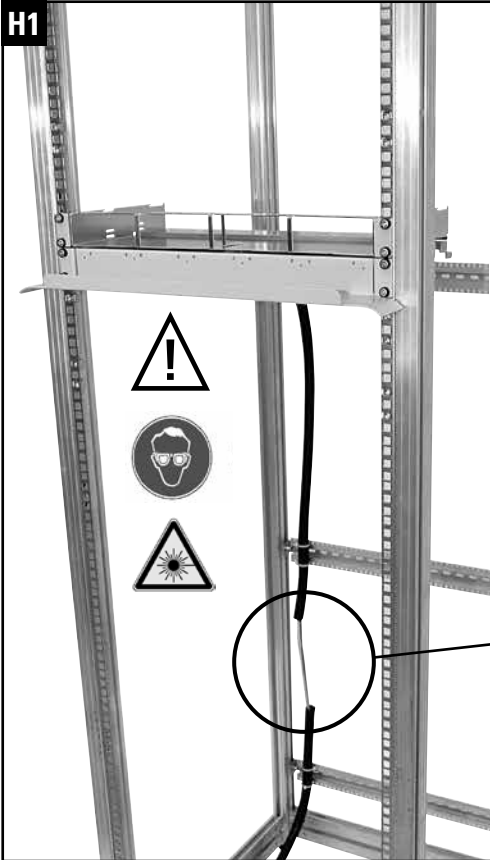
G8



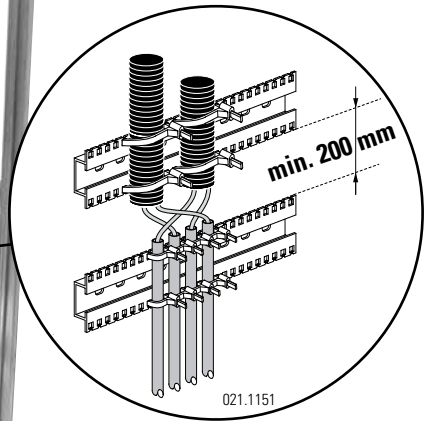
021.3217

Anwendung 7: 48 Fasern 1HE HD Rangierfeld / Application 7: 48 fibers 1U HD Patch Panel

H1

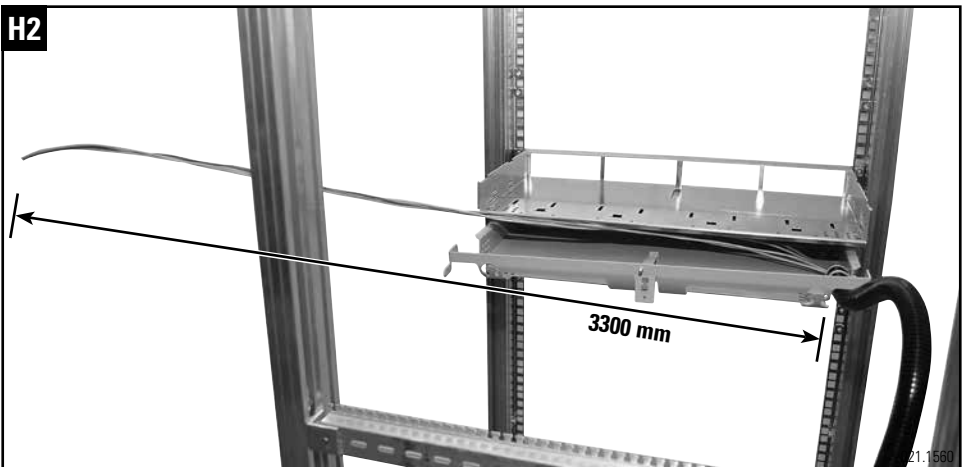


- * Verwendung von Überlängenkassette R504430 nur ohne RF HD Deckel R512698
- * Usage of the Overlength Tray R504430 only without PP HD Cover R512698
- * Keine Montage im HD Basic Rangierfeld R512421, R512726
- * No assembly with HD Basic Patch Panel R512421, R512726



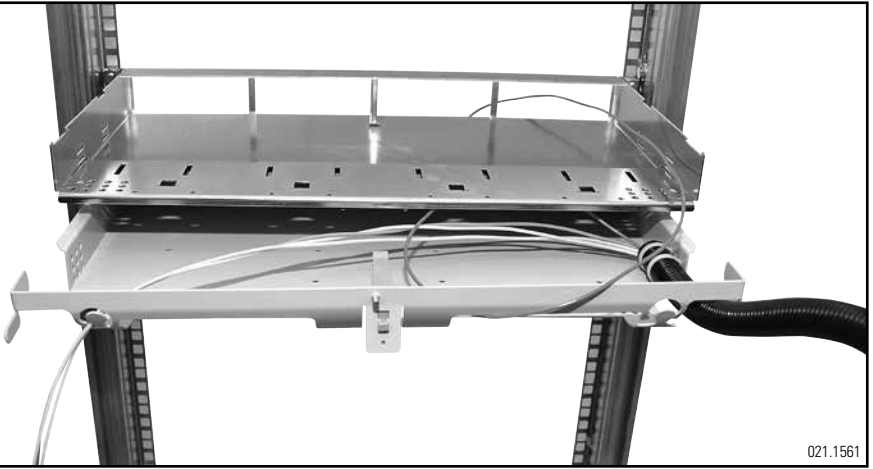
021.1559

H2



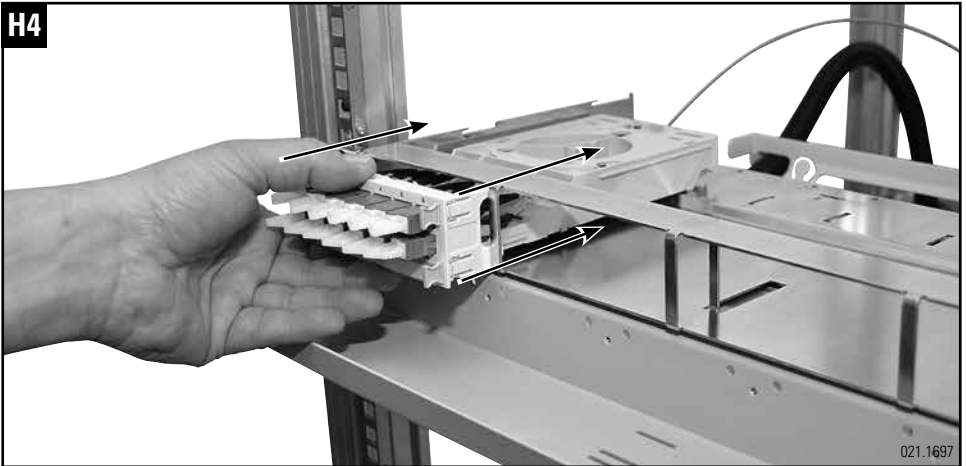
021.1560

H3



021.1561

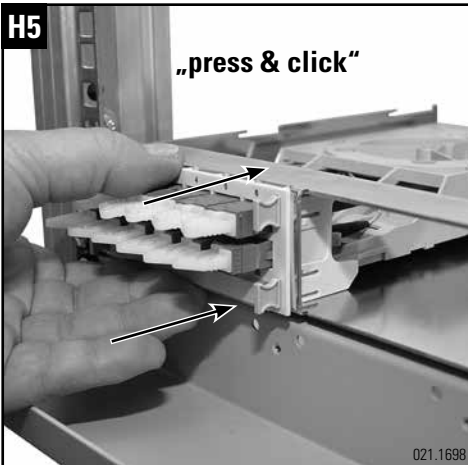
H4



021.1697

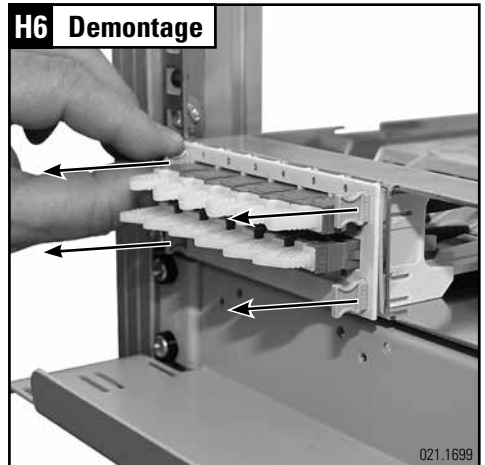
H5

„press & click“



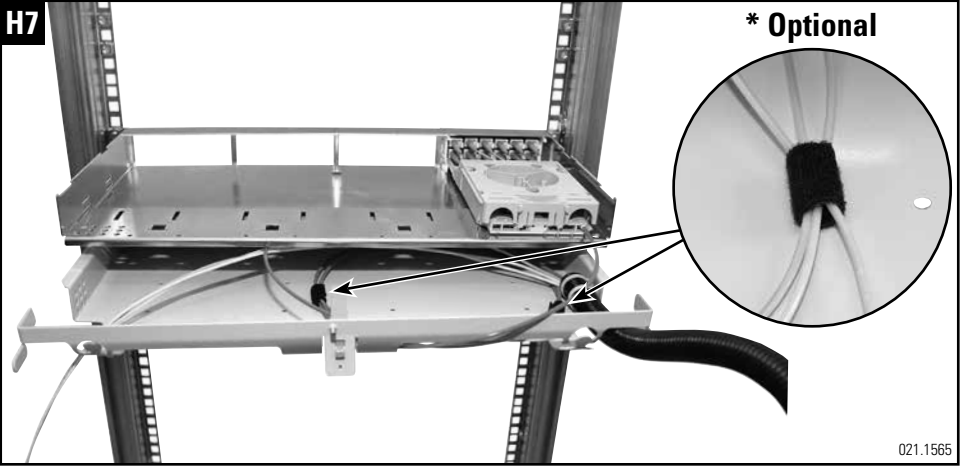
021.1699

H6 Demontage

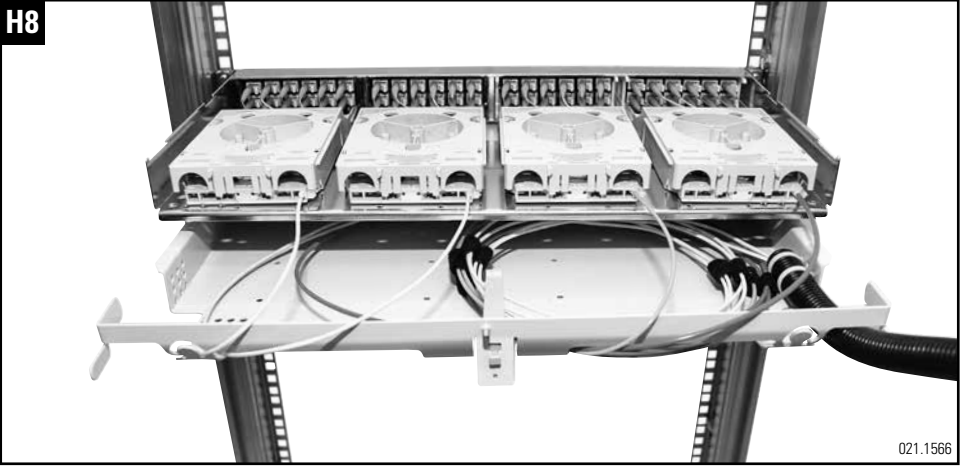


021.1699

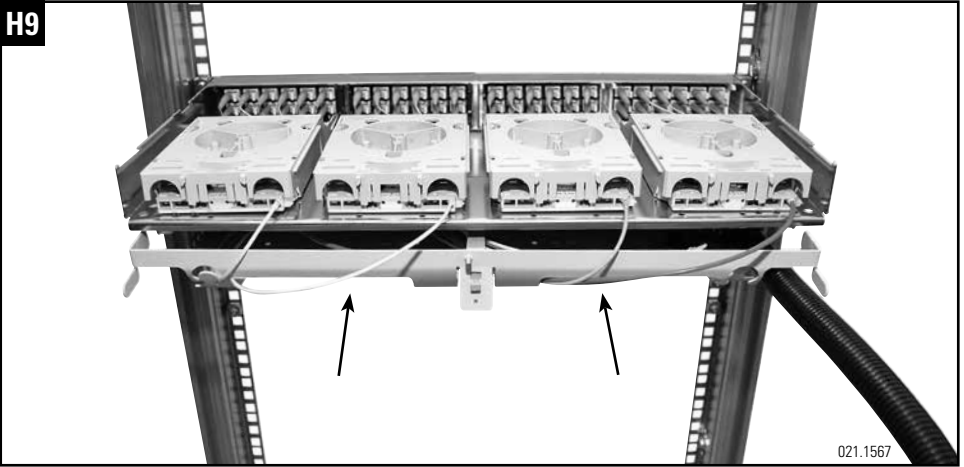
H7



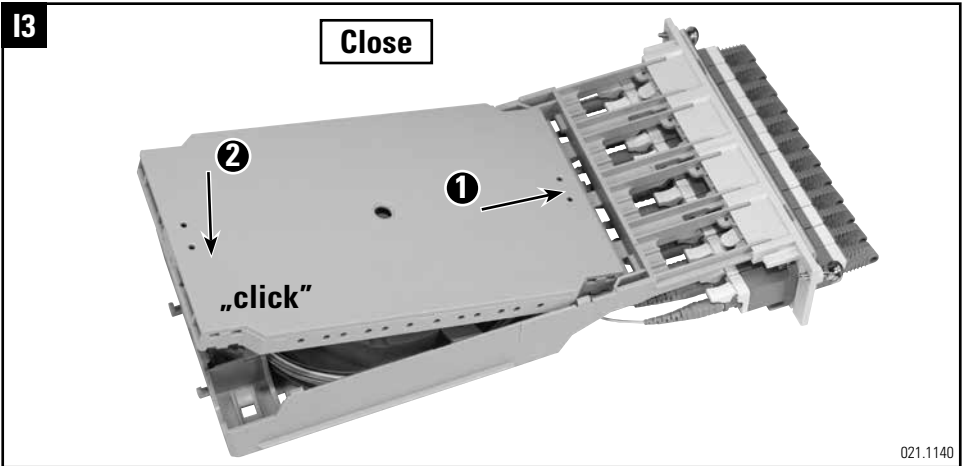
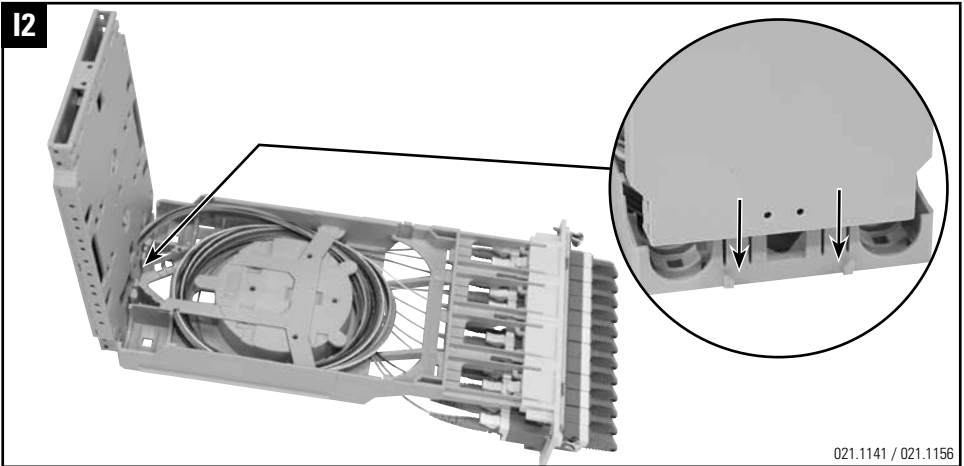
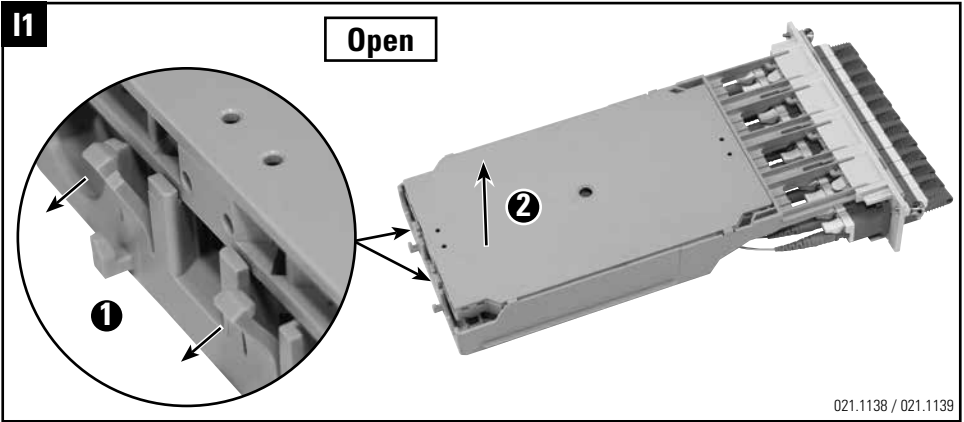
H8



H9

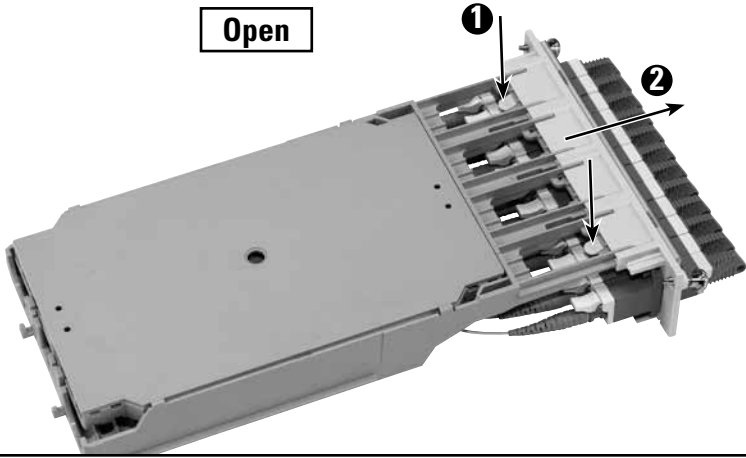


Service



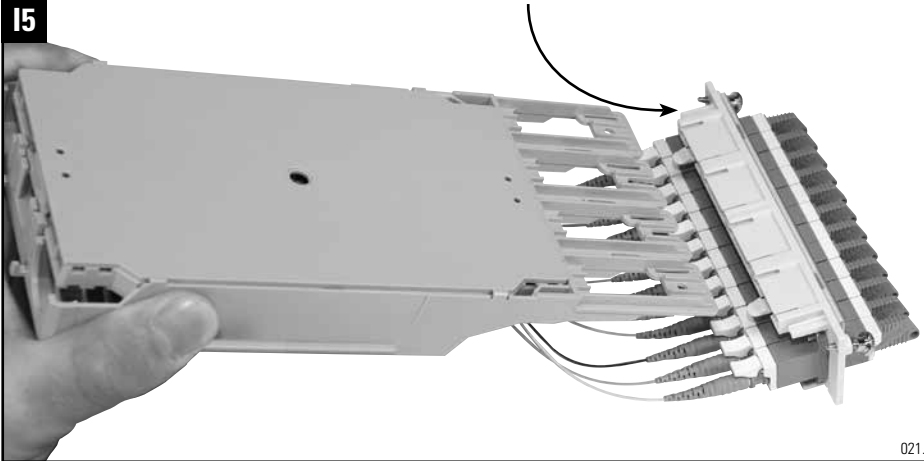
14

Open



021.1116

15



021.1143

Devices with this accessory installed are required to comply with and be marked as specified in Code of Federal Regulations (CFR), Title 21, Part 1040, and the Canadian Radiation Emitting Devices Act, REDR C1370 if applicable
This accessory shall only be used with UL Listed ITE equipment

Headquarters

Switzerland

Reichle & De-Massari AG

Binzstrasse 32

CHE-8620 Wetzikon

Telephone HQ +41 (0)44 933 81 11

Telefax HQ +41 (0)44 930 49 41

E-Mail hq@rdm.com

www.rdm.com

