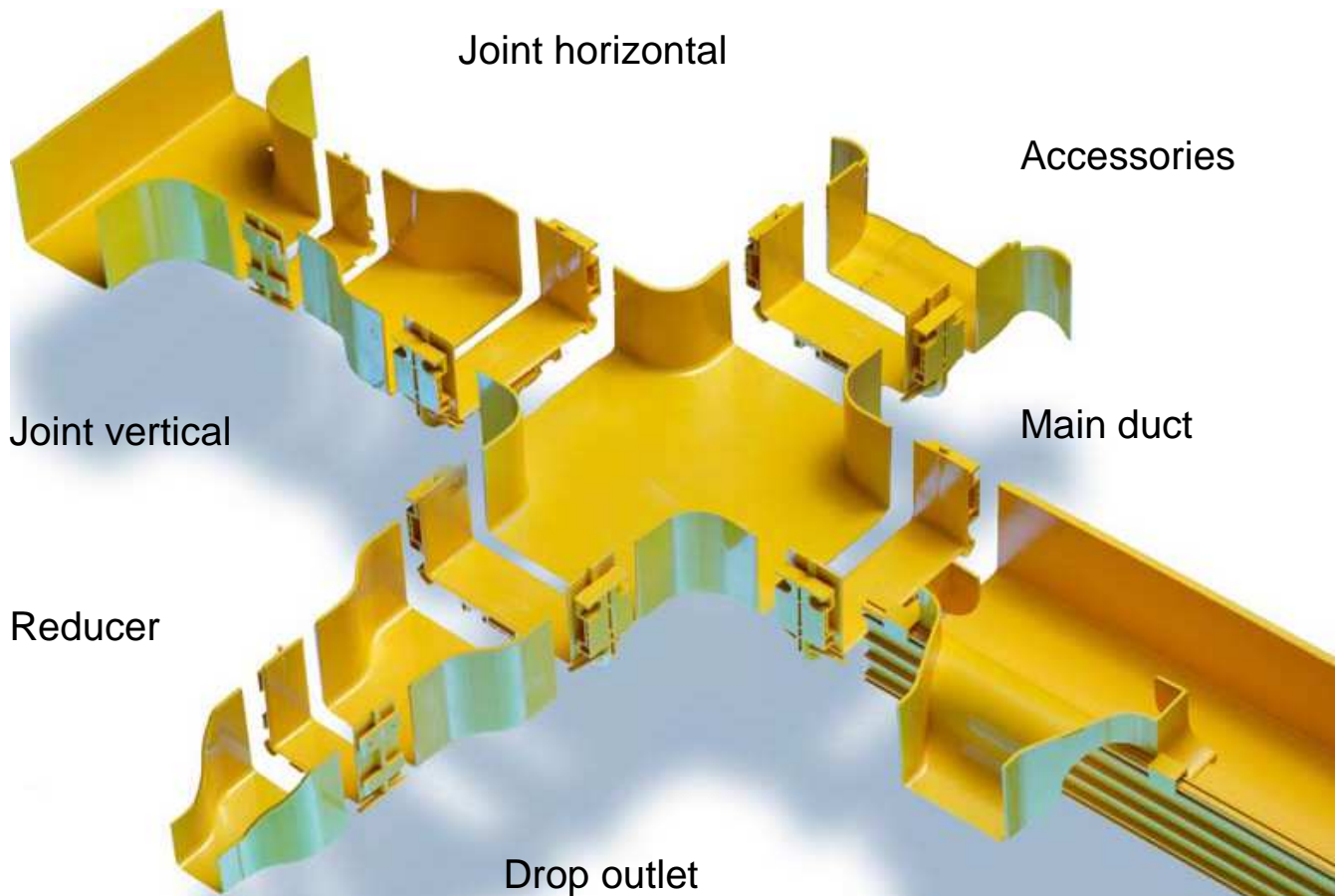


## Planning aids



## R&M Raceway System

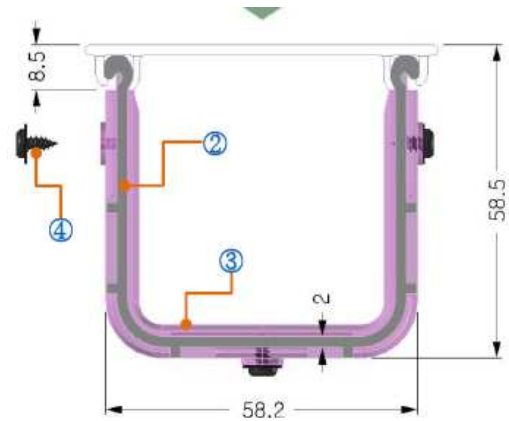
## Raceway System Assortment



## Main duct incl. Cover

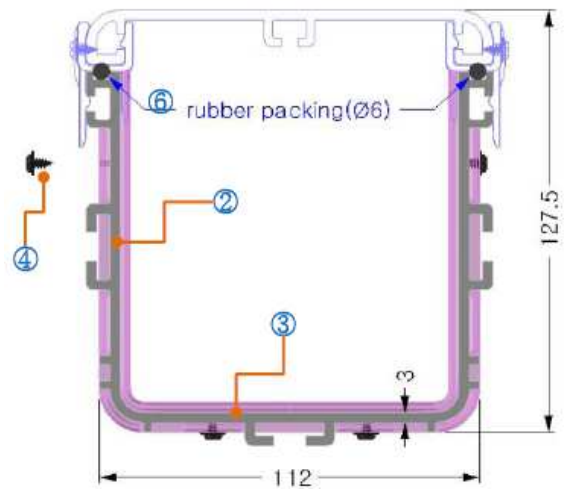
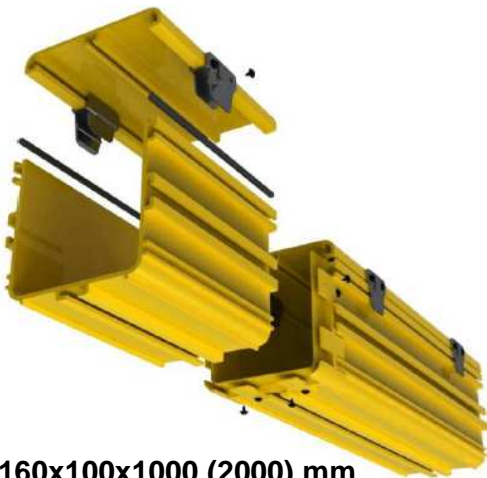
**50x50x1000 (2000) mm**

**Packing density: max. 450 pcs. 2mm patch cord**



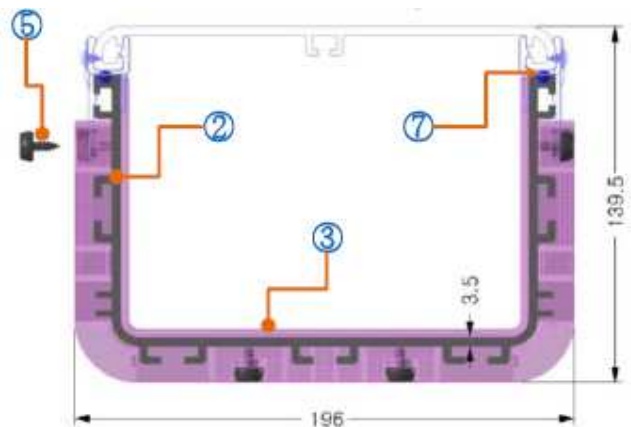
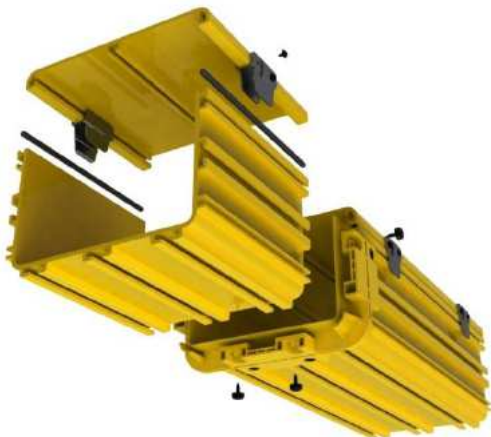
**100x100x1000 (2000) mm**

**Packing density: max. 1900 pcs. 2mm patch cord**



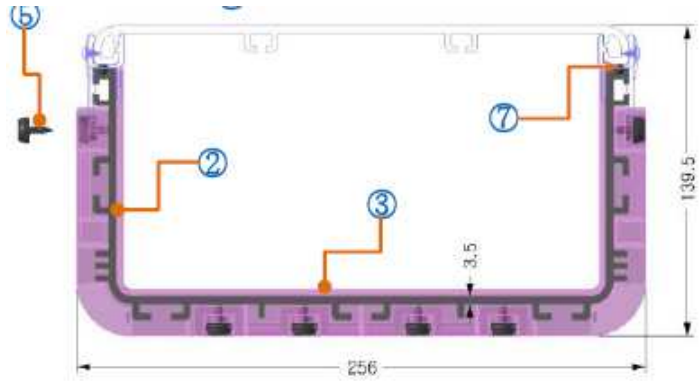
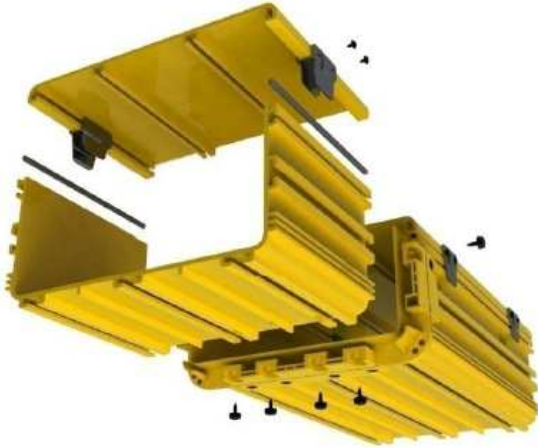
**160x100x1000 (2000) mm**

**Packing density: max. 3100 pcs. 2mm patch cord**



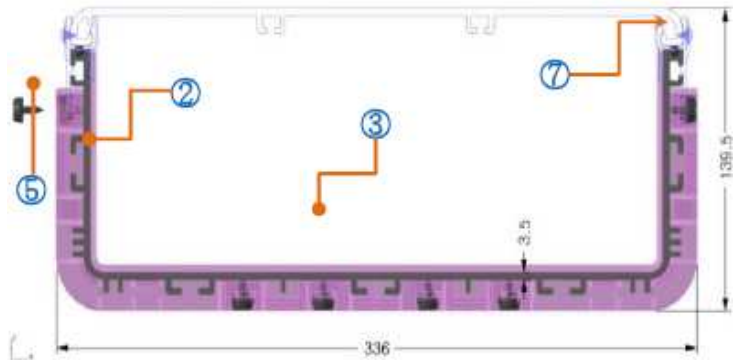
**220x100x1000 (2000) mm**

**Packing density: max. 4300 pcs. 2mm patch cord**

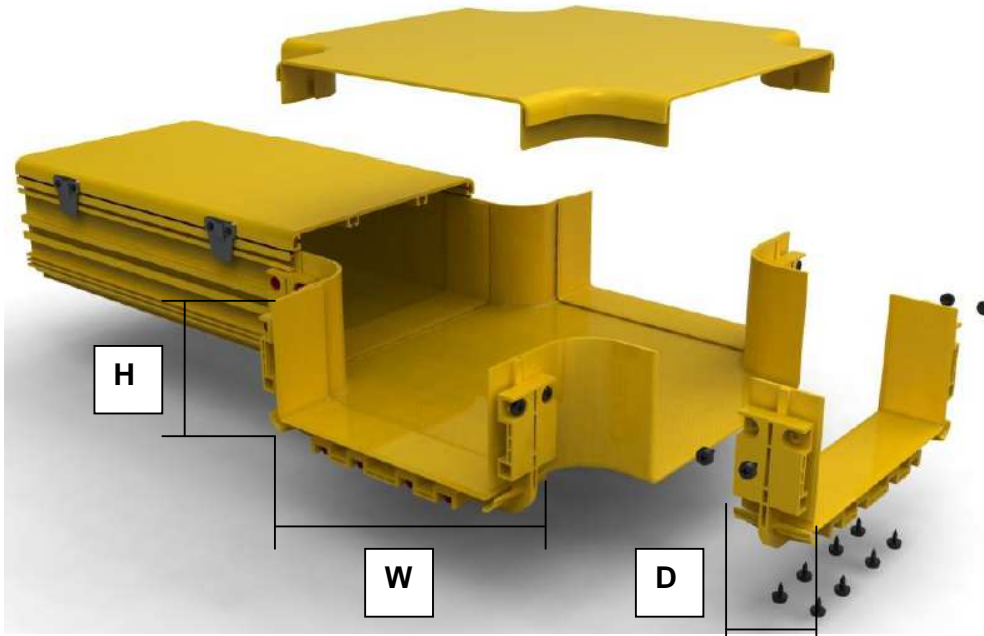


**300x100x1000 (2000) mm**

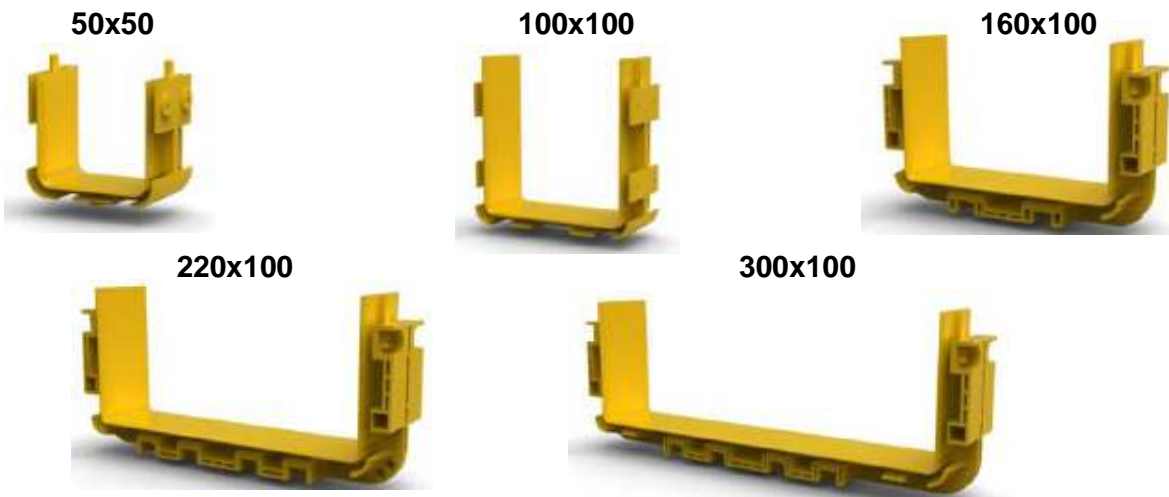
**Packing density: max. 5900 pcs. 2mm patch cord**



## Connecting with component Joiner

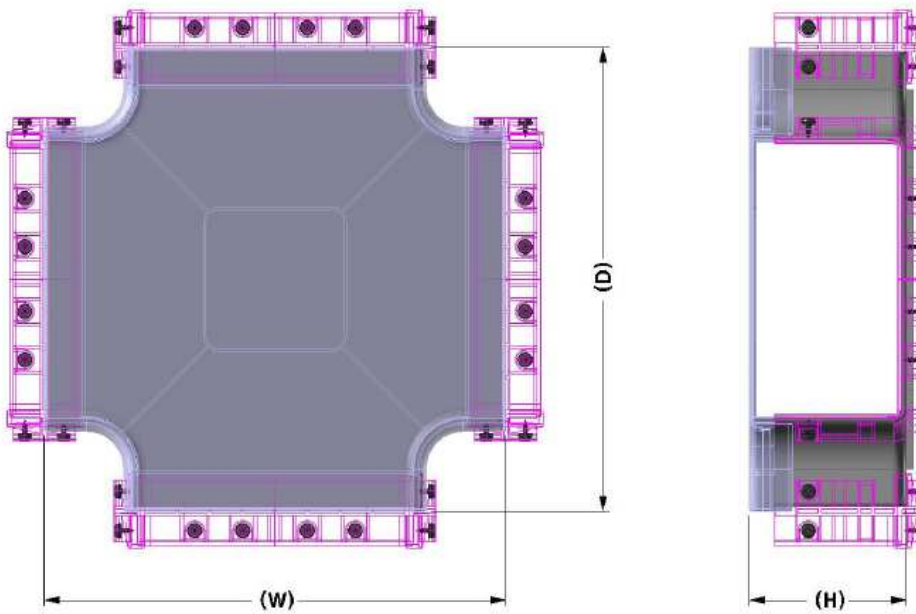
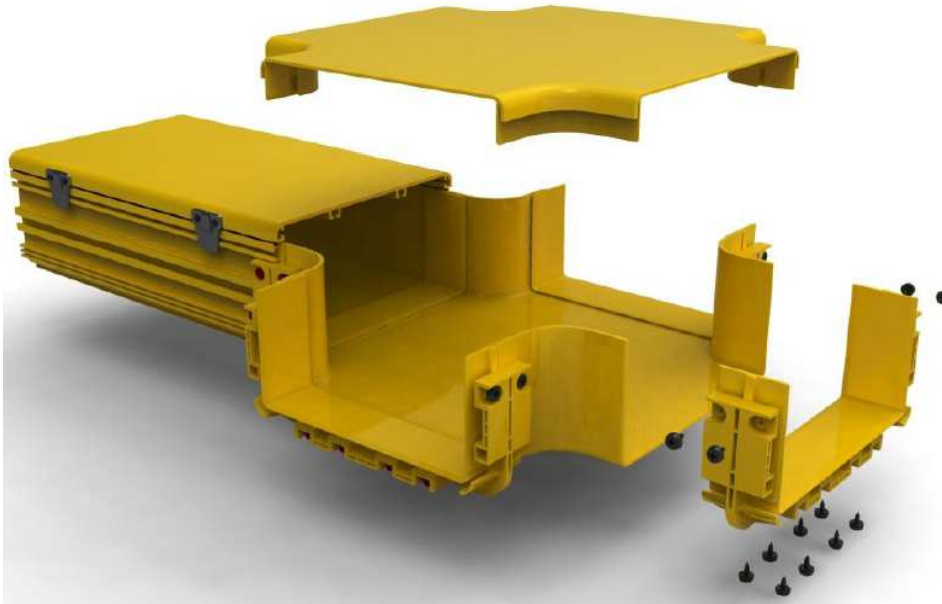


## Component joiner



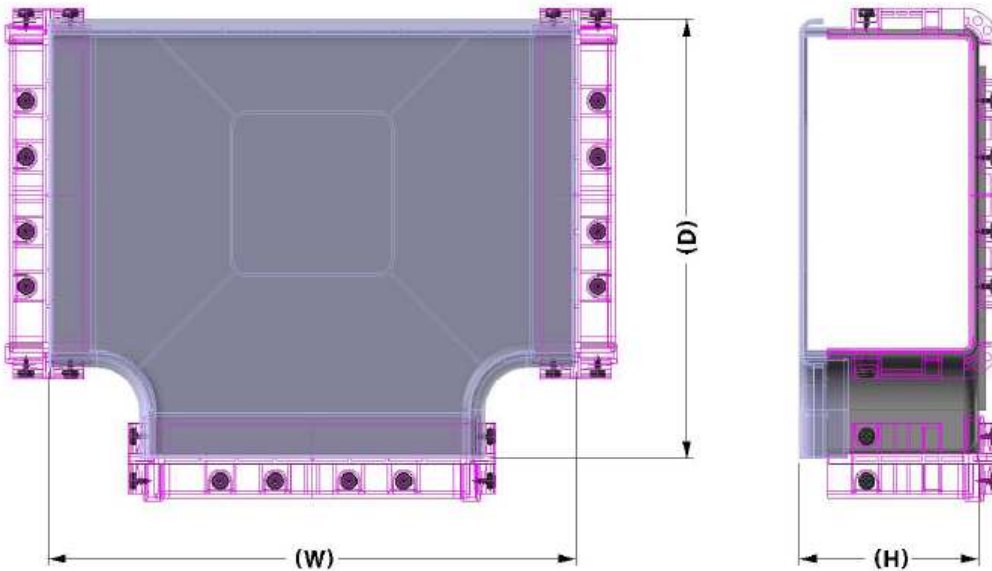
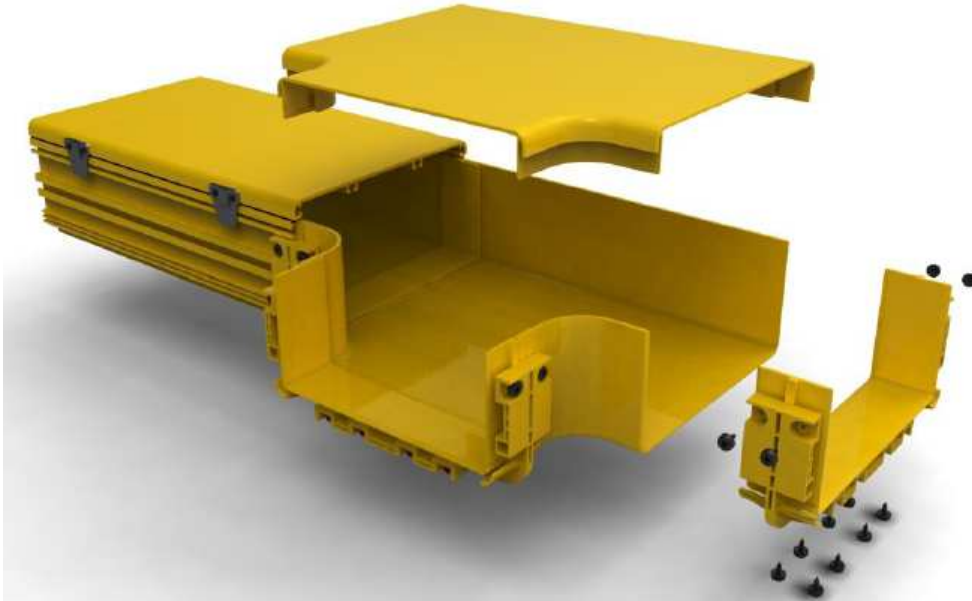
Size Joiner	Width W	Depth D	High H
50x50	58mm	34mm	56.5mm
100x100	112mm	45mm	109mm
160x100	196mm	55mm	119.5mm
220x100	256mm	55mm	119.5mm
300x100	336mm	55mm	119.5mm

## Horizontal Cross incl. cover



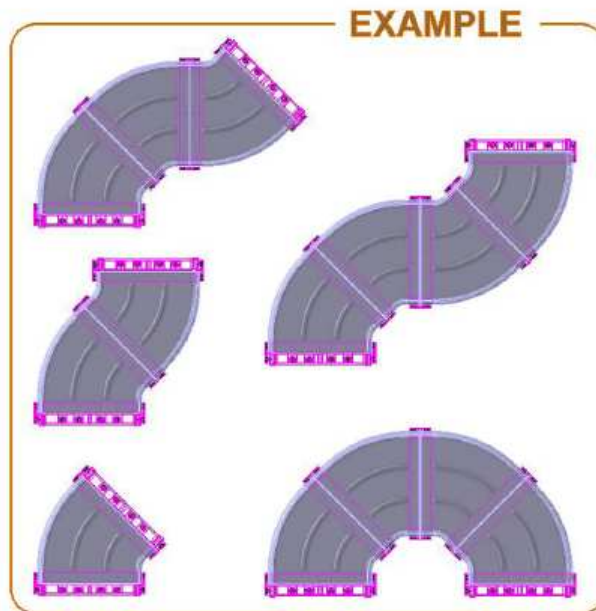
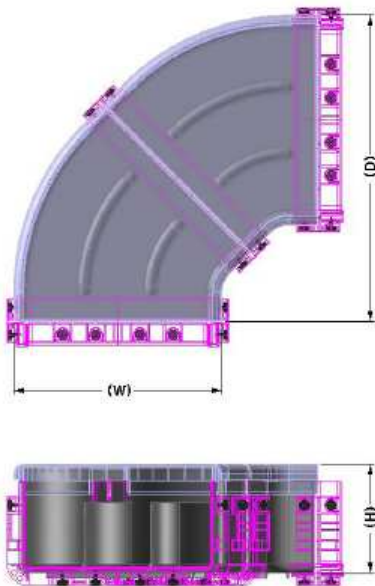
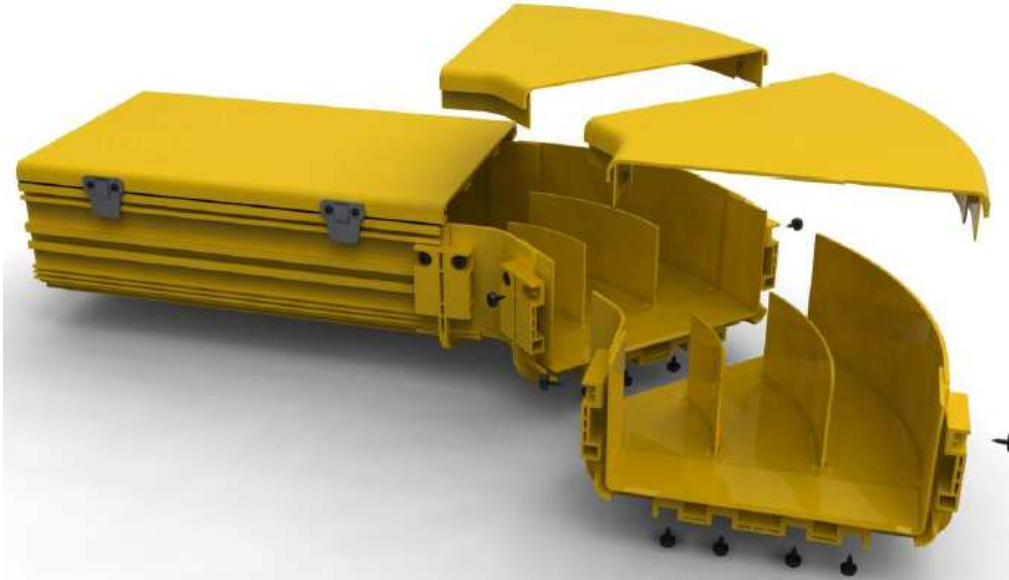
Size Cross	Width W	Depth D	High incl. cover H
50x50	154mm	154mm	56.5mm
100x100	265mm	265mm	125mm
160x100	307mm	307mm	125mm
220x100	367mm	367mm	125mm
300x100	447mm	447mm	125mm

## Horizontal Tee incl. cover



Size TEE	Width W	Depth D	High incl. cover H
50x50	154mm	110mm	56.5mm
100x100	265mm	193mm	125mm
160x100	307mm	244mm	125mm
220x100	367mm	304mm	125mm
300x100	447mm	384mm	125mm

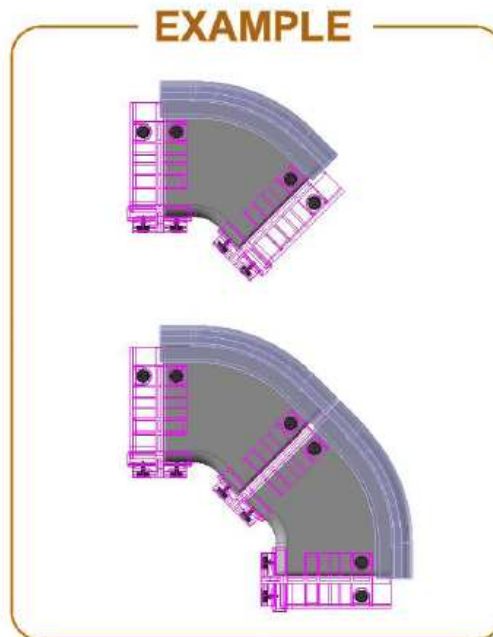
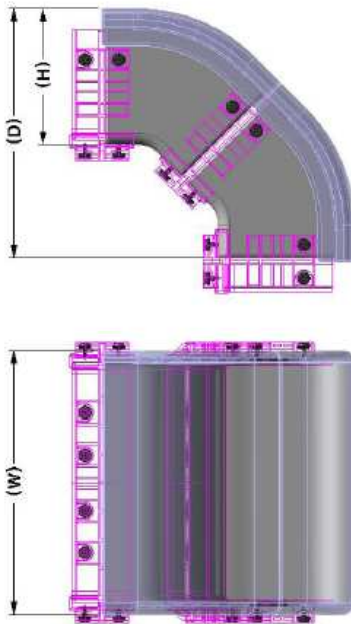
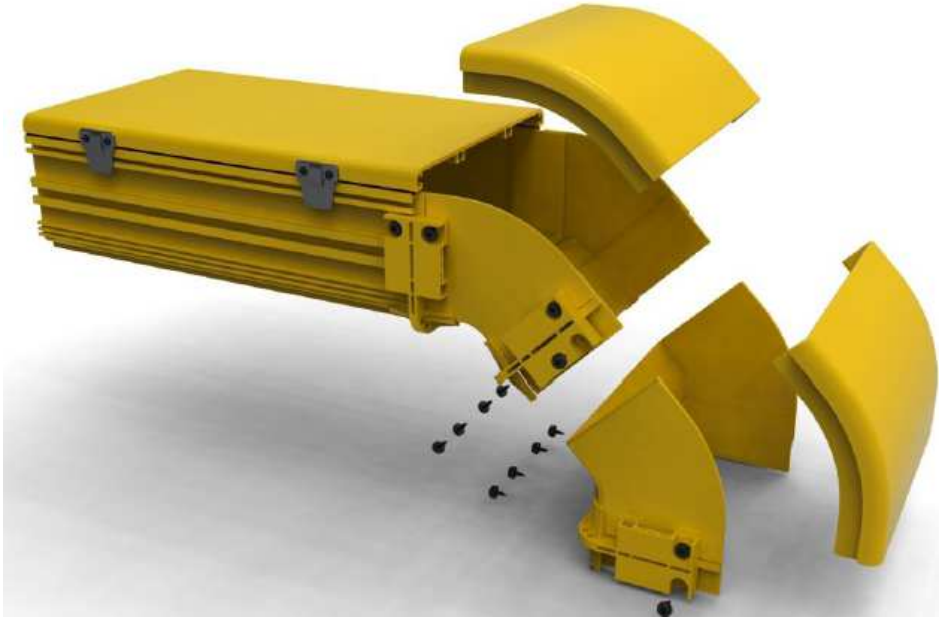
## Horizontal Elbow – 90° / 45°- H incl. cover



Size Elbow-H	Width W	Depth D	High incl. cover H
50x50	52mm	120mm	56.5mm (1x90°)
100x100	120mm	193mm	125mm (2x45°)
160x100	181mm	291mm	125mm (2x45°)
220x100	241mm	352mm	125mm (2x45°)
300x100	321mm	431mm	125mm (2x45°)

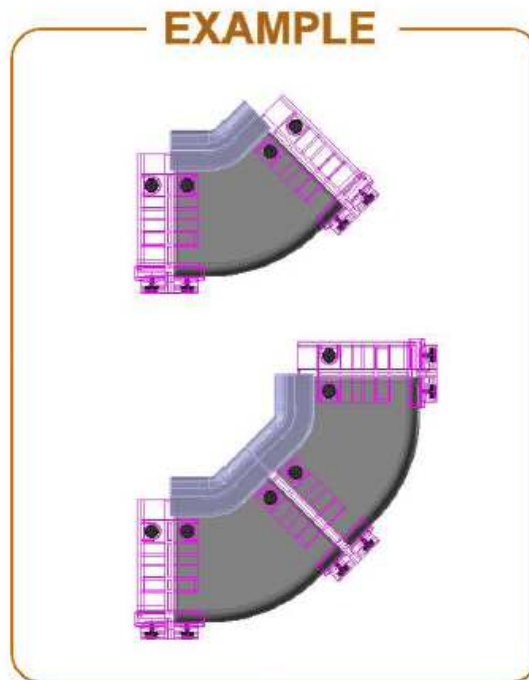
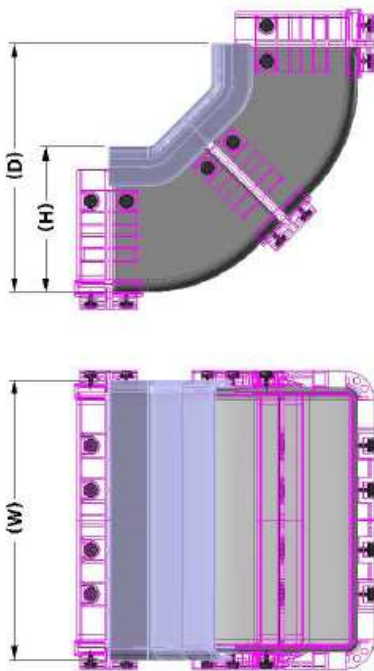
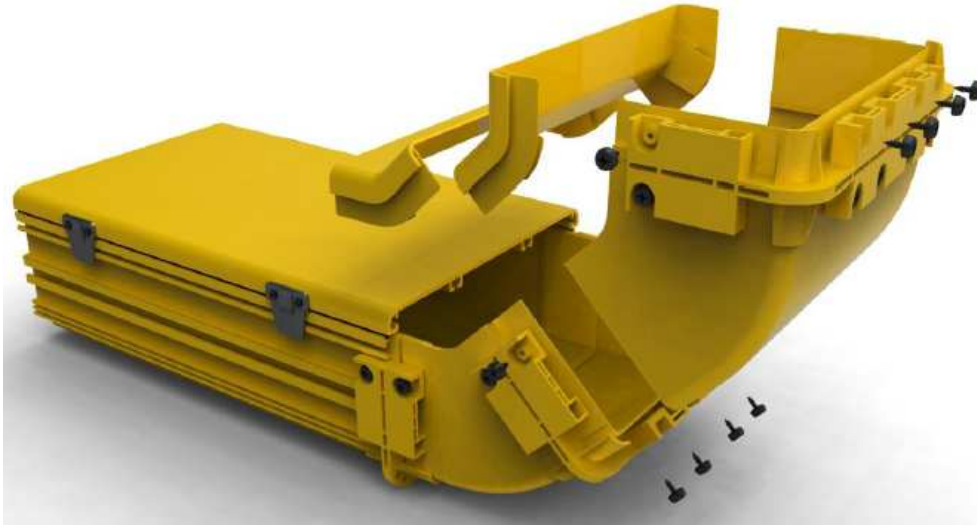


## Vertical Elbow - 90° / 45°- D incl. cover



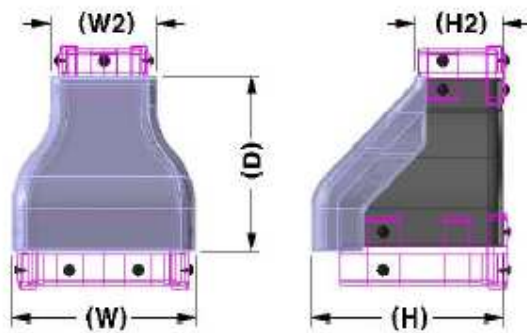
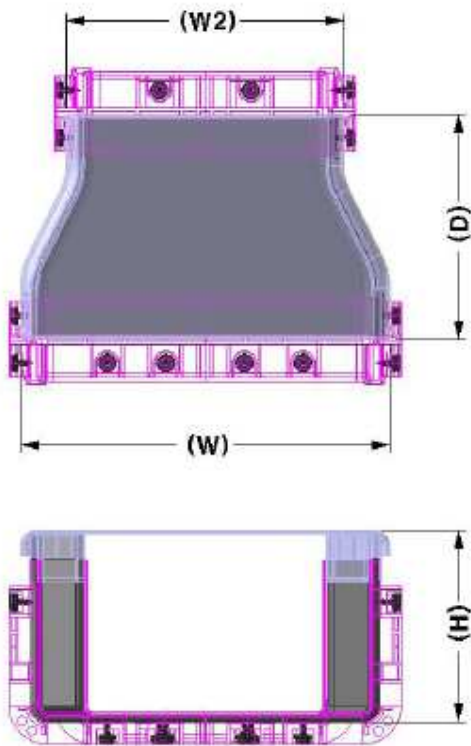
Size Elbow-D	Width W	Depth D	High incl. cover H	
50x50	66mm	138mm	56.5mm	(2x45°)
100x100	120mm	230mm	125mm	(1x90°)
160x100	181mm	232mm	125mm	(2x45°)
220x100	241mm	232mm	125mm	(2x45°)
300x100	321mm	232mm	125mm	(2x45°)

## Vertikal Elbow - 90° / 45°- U incl. cover



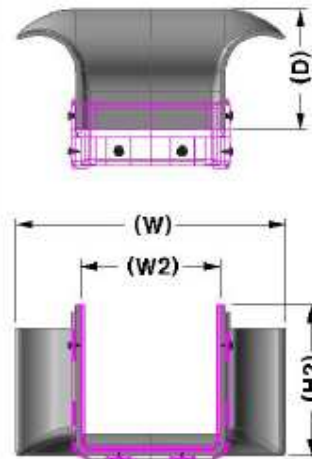
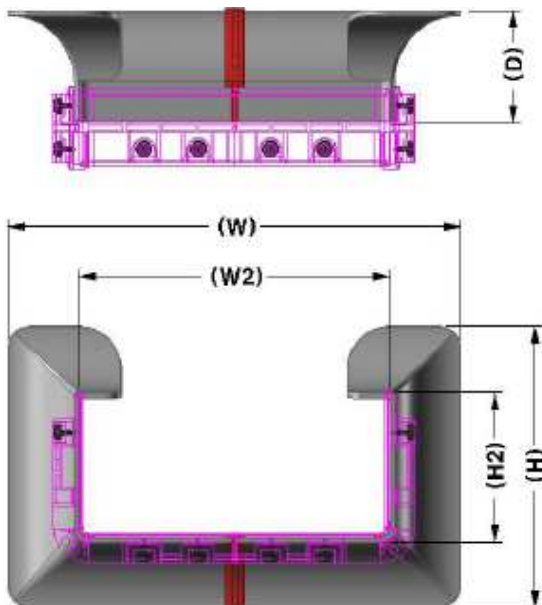
Size Elbow-U	Width W	Depth D	High incl. cover H
50x50	66mm	135mm	56.5mm (2x45°)
100x100	120mm	207mm	125mm (1x90°)
160x100	181mm	232mm	125mm (2x45°)
220x100	241mm	214mm	125mm (2x45°)
300x100	321mm	208mm	125mm (2x45°)

## Reducer incl. cover



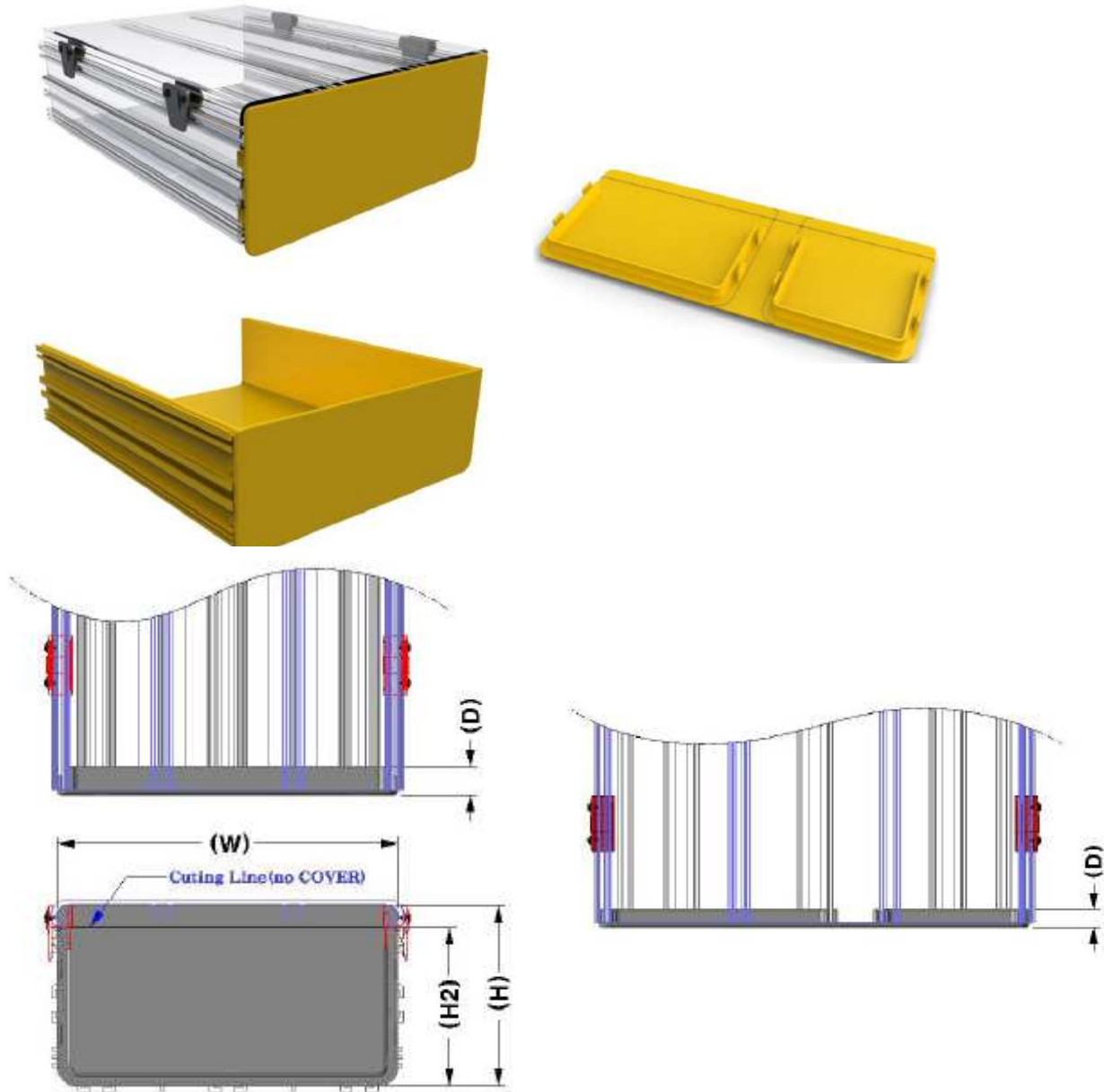
Size Reducer	Width W / W2	Depth D	High incl. cover H / H2
100x100/50x50	121mm / 61mm	110mm	125mm
160x100/100x100	181mm / 121mm	125mm	125mm
220x100/160x100	241mm / 181mm	140mm	125mm
300x100/220x100	321mm / 241mm	150mm	125mm

Planning Aids  
Raceway System



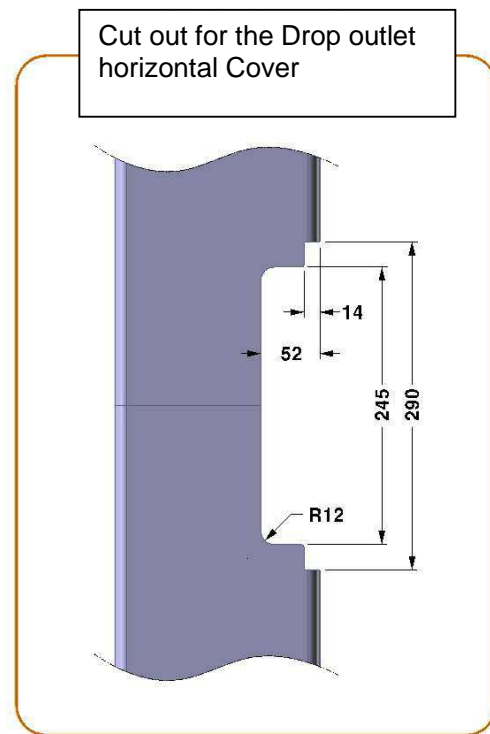
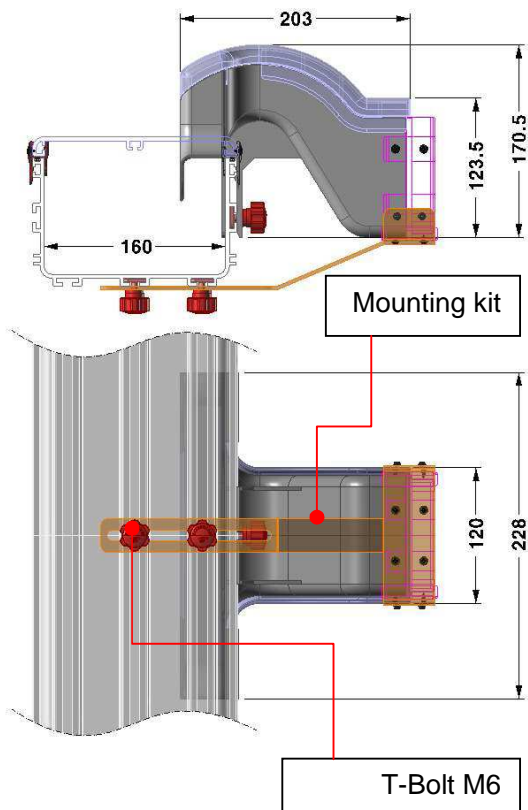
Size Trumpet outlet	Width W / W2	Depth D	High H / H2
50x50	96mm / 50mm	46mm	54mm
100x100	192mm / 100mm	86mm	106mm
160x100	260mm / 160mm	80mm	106mm / 200mm
220x100	320mm / 220mm	80mm	106mm / 200mm
300x100	400mm / 300mm	80mm	106mm / 200mm

## End cover



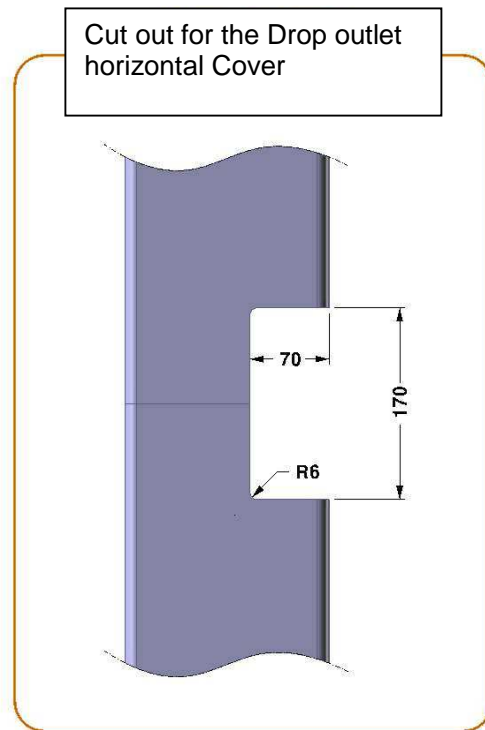
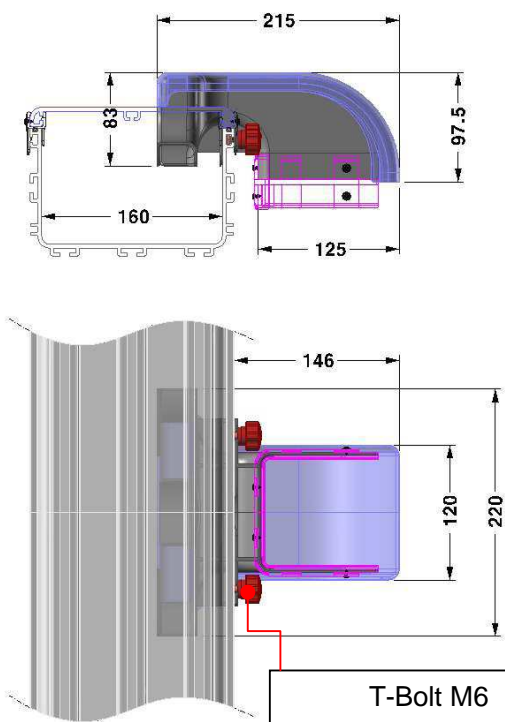
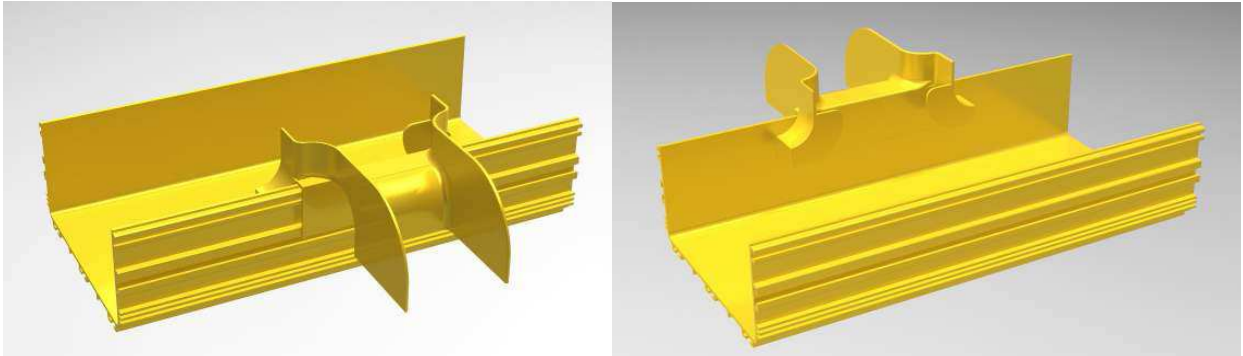
Size End cover	Width W	Depth D	High H / H2
100x100	114.5mm	13mm	127mm / 112.5mm
160x100	175mm	13mm	127mm / 112.5mm
220x100	233.2mm	19mm	124mm / 108.5mm
300x100	314mm	13mm	127mm / 112.5mm

**Packing density horizontal: max. 835 pcs. 2mm patch cord**

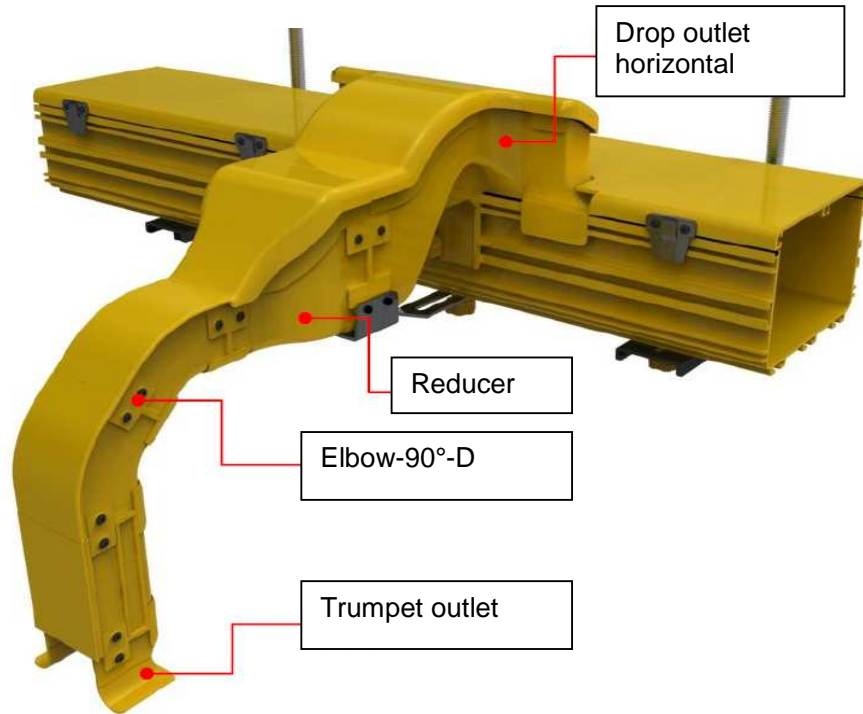


## Drop outlet vertical

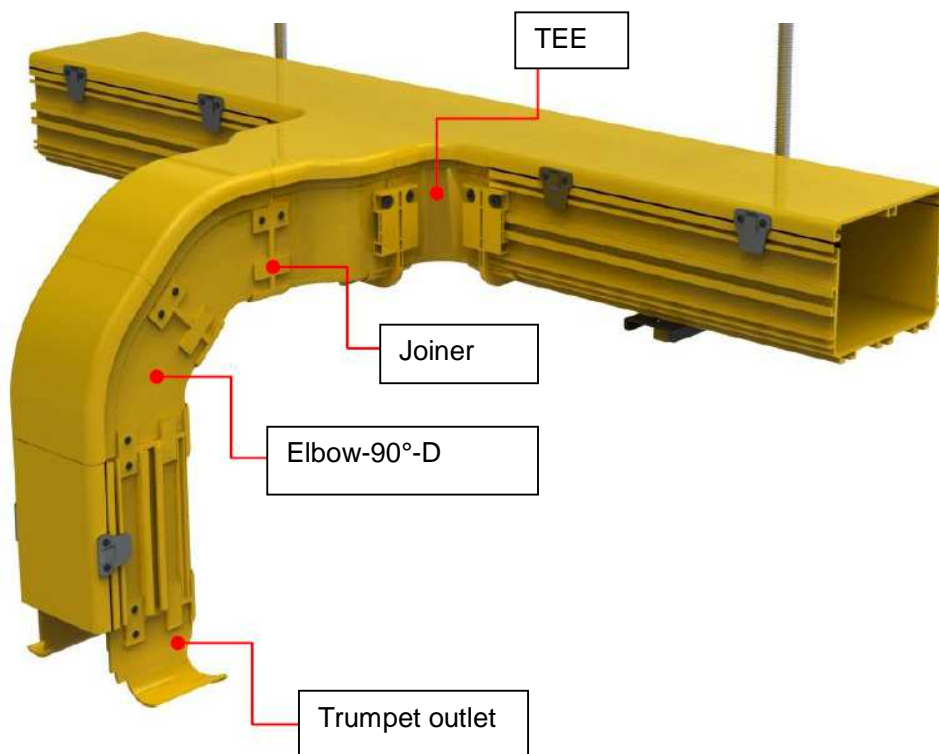
**Packing density vertical: max. 735 pcs. 2mm patch cord**



### Example of use horizontal Drop outlet

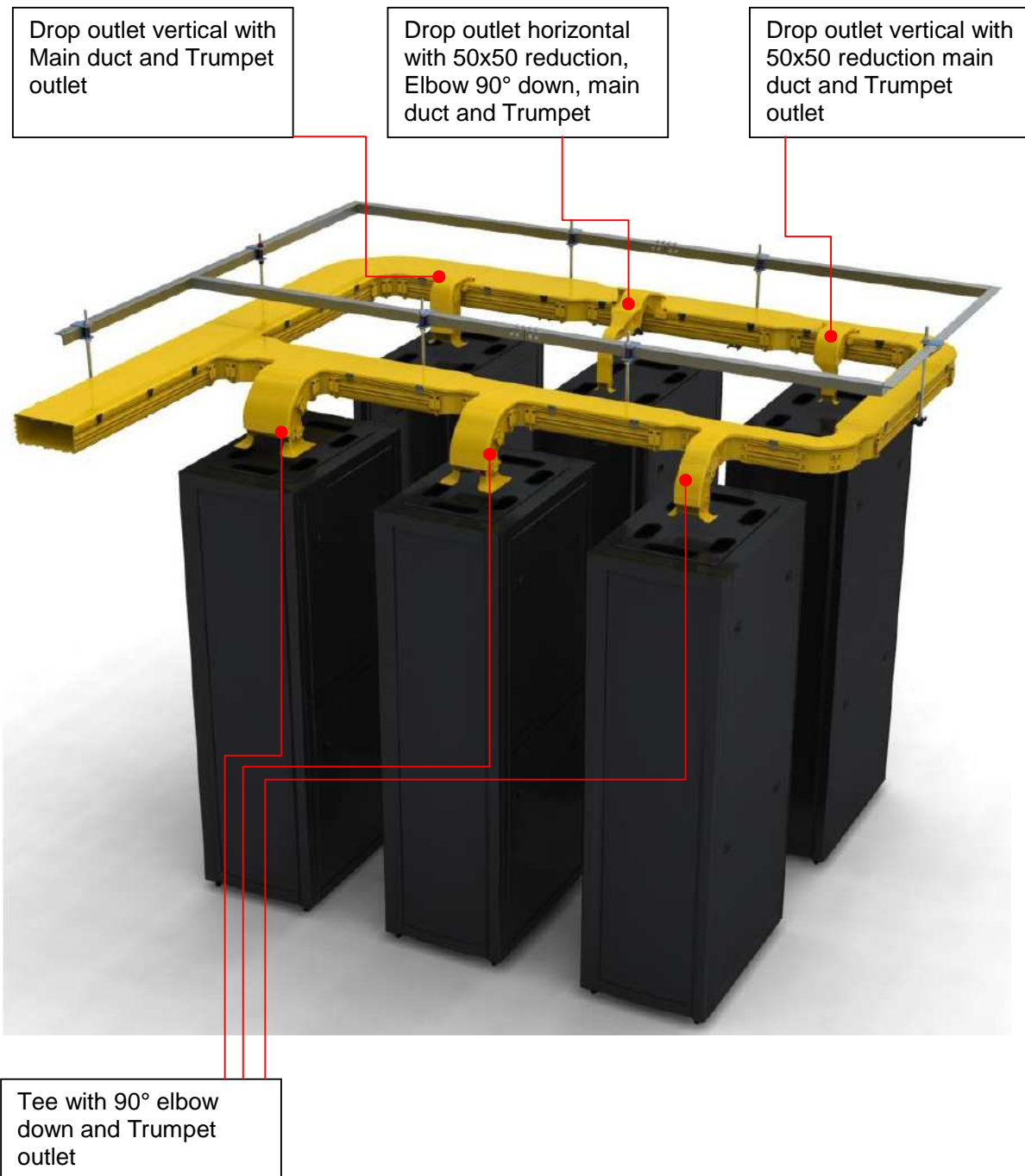


### Example of use vertical application with TEE or Cross



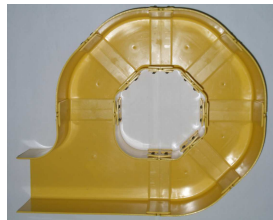
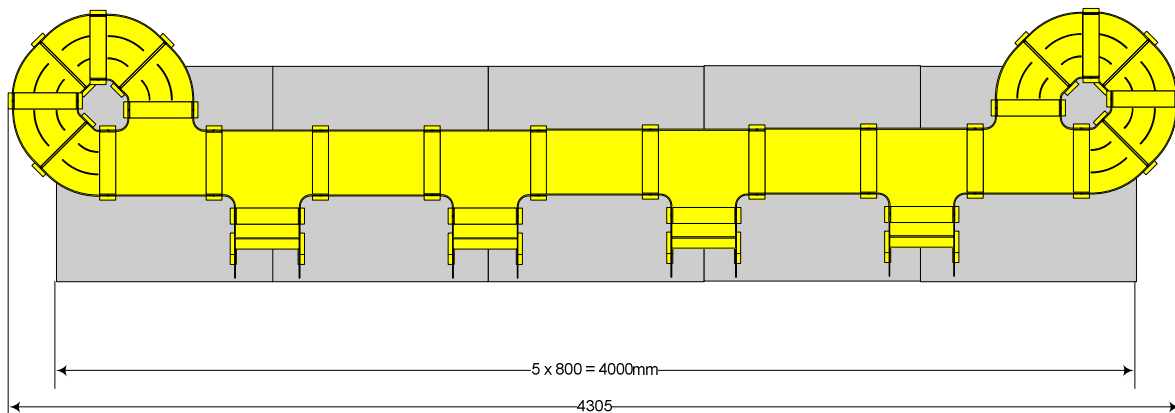


## Example of use Drop outlet & Tee Raceway

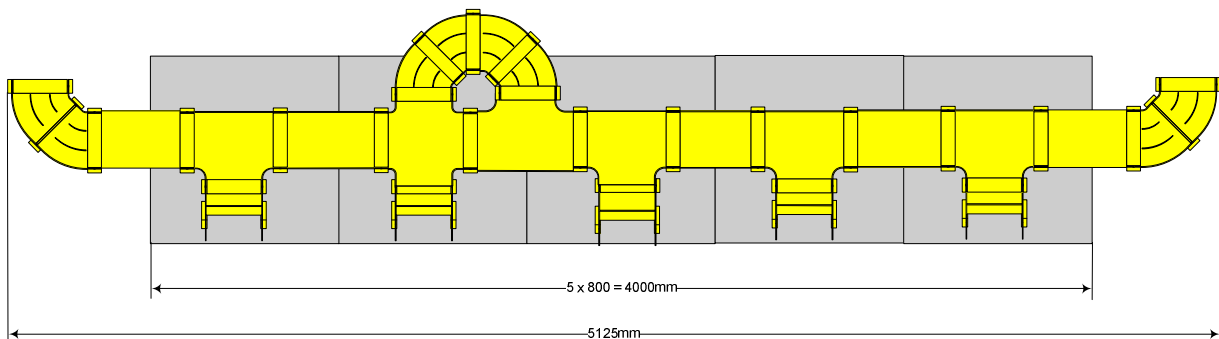


## Example of use Patch cord storage

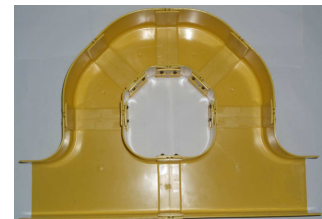
### *At the end of a Main duct*



### *Between a Main duct*

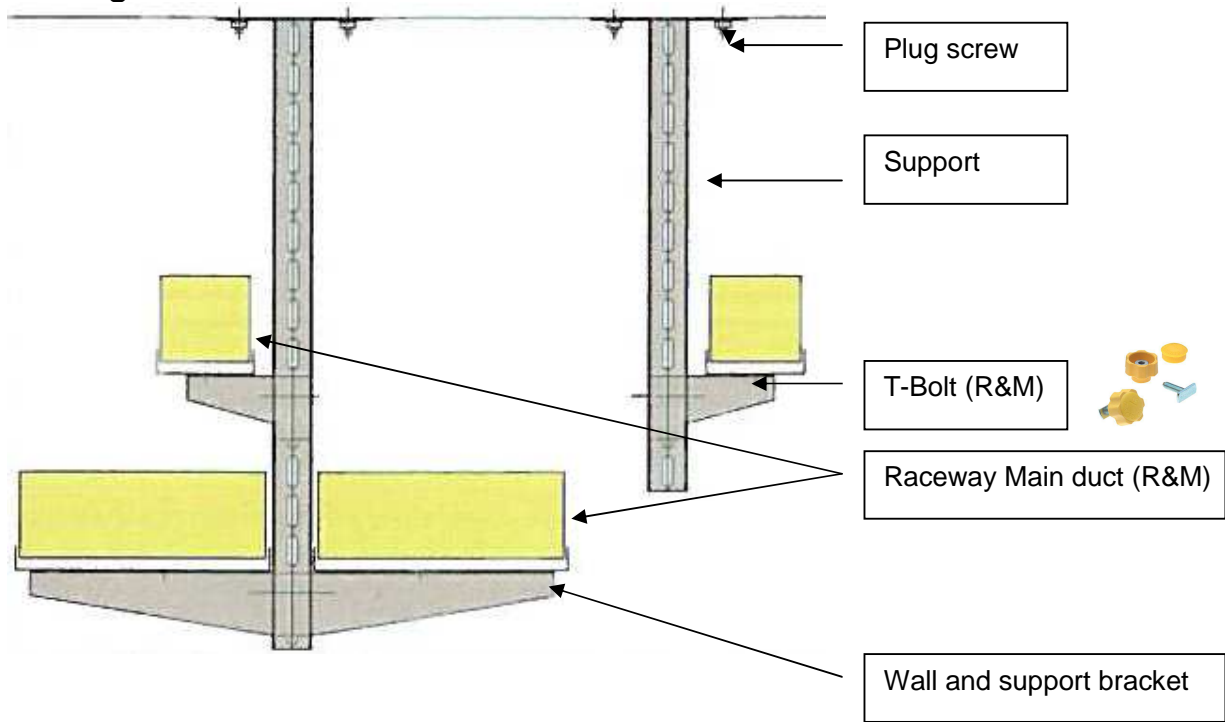


**Important:** The sample (pictures) is build-up with Raceway 100x100mm elements. If you work with other dimensions it could be different, between the two cross is a small piece of duct and a second joint is needed.

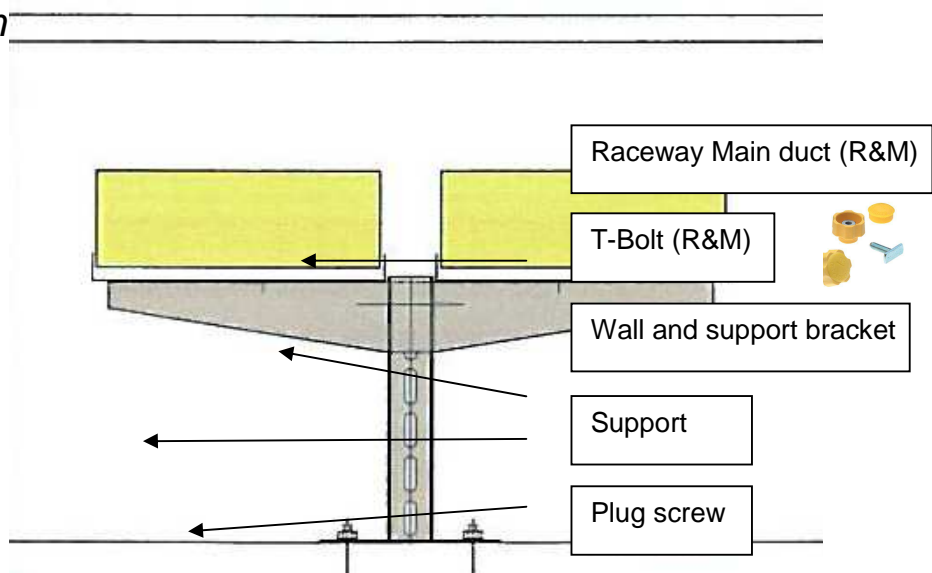


## Example of use installation equipment

### Celling installation



### Floor installation



## Suppliers for the installation equipment's

Owing to the individual installation of a Raceway System for a building or a room, it has become extremely important to have a competent Partner for all various Raceway installations and applications.

We recommend following suppliers for the installation equipment's:

(Catalogue)

[http://catalog2.obo-bettermann.com/catalogue/catalogue.do?favOid=kts\\_315019&act=showIO&lang=en&forward=showSingleSolutionView&catId=KTS](http://catalog2.obo-bettermann.com/catalogue/catalogue.do?favOid=kts_315019&act=showIO&lang=en&forward=showSingleSolutionView&catId=KTS)

(Catalogue)

<http://www.lanz-oens.com/DE/montagesysteme.htm>

(The perfect Solution)

[http://catalog2.obo-bettermann.com/catalogue/catalogue.do?favOid=kts\\_222050&act=showIO&forward=showProductGroupView&action=showManyProducts&lang=en&catId=KTS](http://catalog2.obo-bettermann.com/catalogue/catalogue.do?favOid=kts_222050&act=showIO&forward=showProductGroupView&action=showManyProducts&lang=en&catId=KTS)

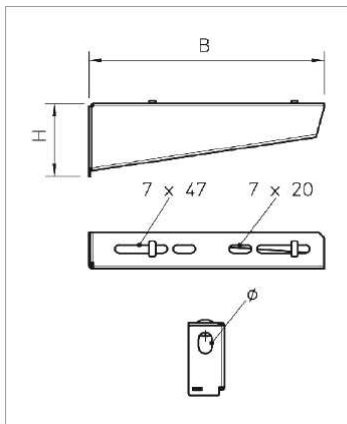
### Technical data sheet Wall and support bracket MWAM 12



Folded light-duty wall and support bracket including quick connector.

Wall and support bracket MWAM.. including:

1. Two pre-mounted quick connectors for efficient cable tray fastening.
2. Truss-head bolt M10 x 25 for fastening on the U support.



Type	Width mm	Dimensi on H mm	Dimensi on A mm	Hole diameter mm	F in kN kN	Pack. pcs	Weight kg/100 pcs.	Art.-No.
MWAM 12 11 FS	110	53	32.5	11	1.2	30	14.300	642455 0
MWAM 12 21 FS	210	65	32.5	11	1.2	30	26.000	642455 2
MWAM 12 31 FS	310	75	38	11	1.2	30	51.900	642455 4
MWAM 12 41 FS	410	83	38	11	1.2	25	69.700	642455 6

St Steel

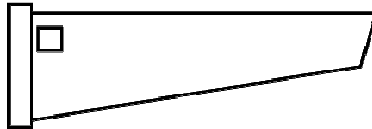
FS Strip-galvanised

R /pc.

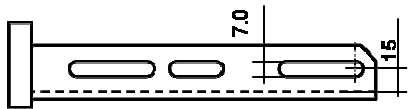


Separate T-Bolt is not used

## Size of support bracket slot for using R&M T-Bolt

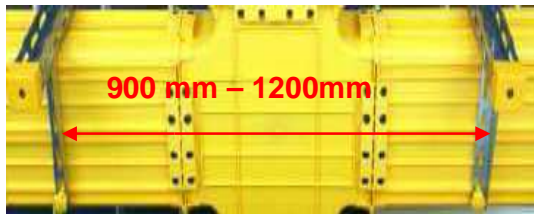


Wall and support bracket

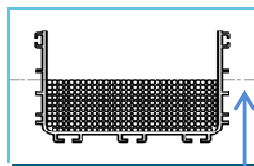


When used T-Bolt (R&M)

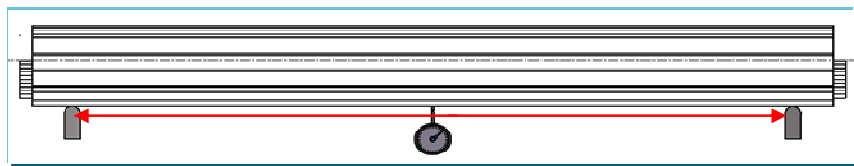
## Recommended supporter distance (Wall- and supporter bracket)



Part	Size / mm(inch)	Patch cord/2.0mm (50%)		Patch cord/2.0mm (70%)	
		Capacity(ea)	Weight(g)	Capacity(ea)	Weight(g)
Main Duct	100 x 100 (4")	1,390	6,950	1,900	9,500
	<b>160 x 100 (6")</b>	<b>2,250</b>	<b>11,250</b>	<b>3,100</b>	<b>15,500</b>
	220 x 100 (8")	3,100	15,500	4,300	21,500
	<b>300 x 100 (12")</b>	<b>4,240</b>	<b>21,200</b>	<b>5,900</b>	<b>29,500</b>
Distance Between Mounting Brackets		<b>900mm</b>			



Patch cord(2.0mm)



Sagging Deviation: **less than 2mm**

Before and after loading Patch cords **50%** and **70%**

## Visio and AutoCAD planning help and configurator for Raceway System

Additional design helps for an easy planning of the Raceway System.

The Visio shapes (.vss) and AutoCAD (.dxf) files are ready to download directly from:

Internet: <http://www.rdm.com/en/co/service/downloads-2/planning-and-documentation.aspx>

