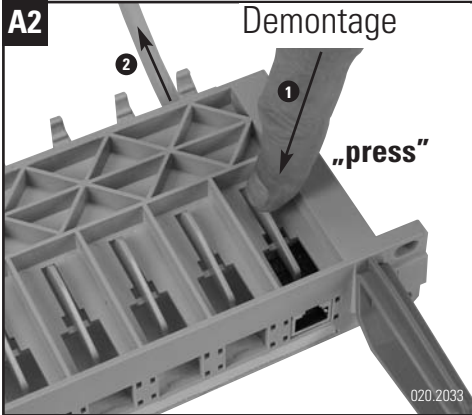
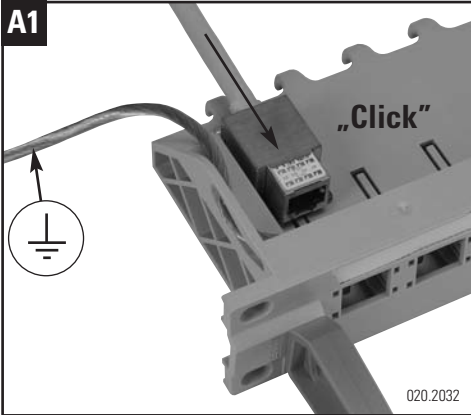
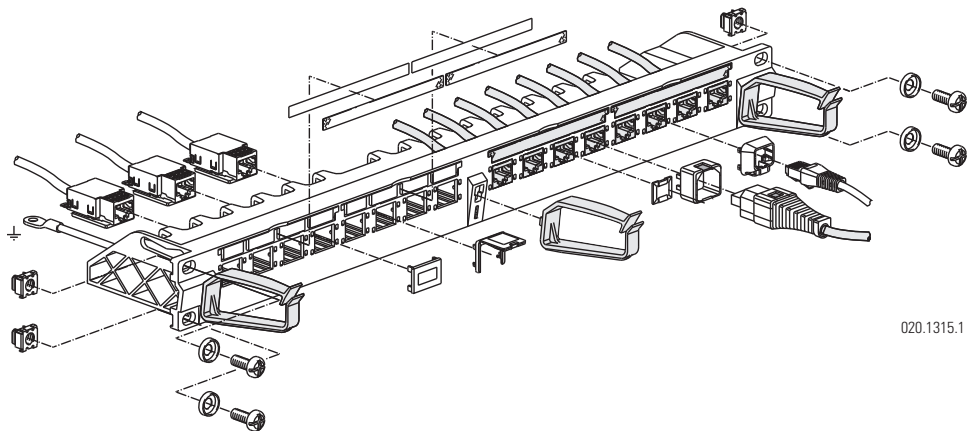
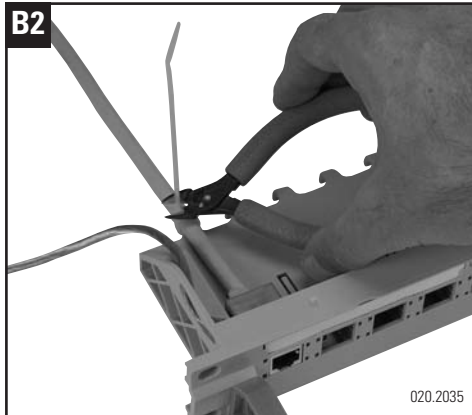
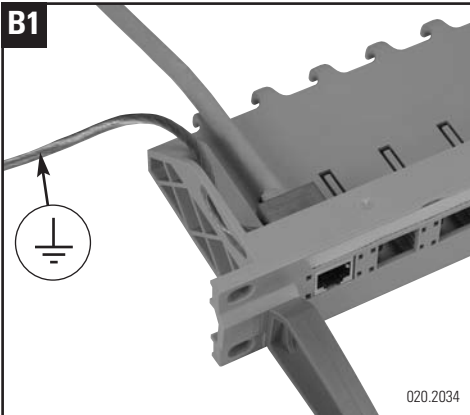


**Installationsanleitung 19" 1HE Rangierfeld, 16 x RJ45**  
**Installation guide 19" 1U Patch Panel, 16 x RJ45**  
**Instructions de montage 19" 1U Patch Panel, 16 x RJ45**



020.2031





**Headquarters**

**Switzerland**

Reichle & De-Massari AG

Binzstrasse 32

CHE-8620 Wetzikon

Telephone HQ +41 (0)44 933 81 11

Telefax HQ +41 (0)44 930 49 41

E-Mail [hq@rdm.com](mailto:hq@rdm.com)

[www.rdm.com](http://www.rdm.com)

