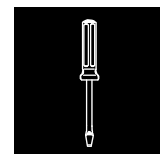


**Installationsanleitung 19" 1HE HD Rangierfeld LWL**  
**Installation guide 19" 1U HD Panel Fiber Optic**  
**Instructions de montage 19" 1U HD Fibre Optique**



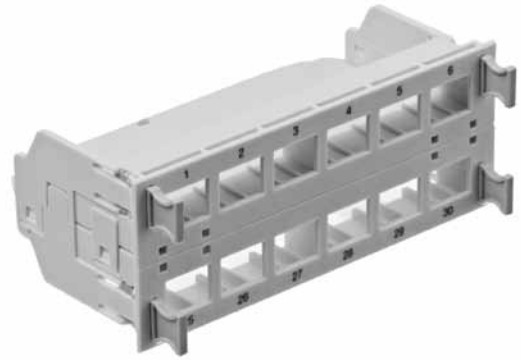
# Montage / Installation

**A1**



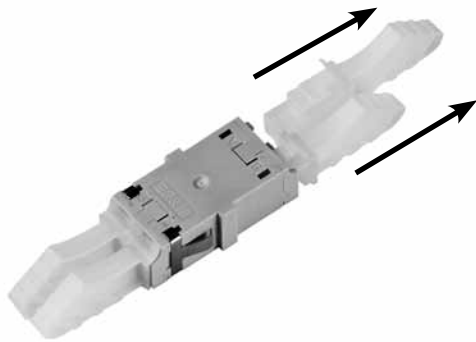
023.0210

**A2**



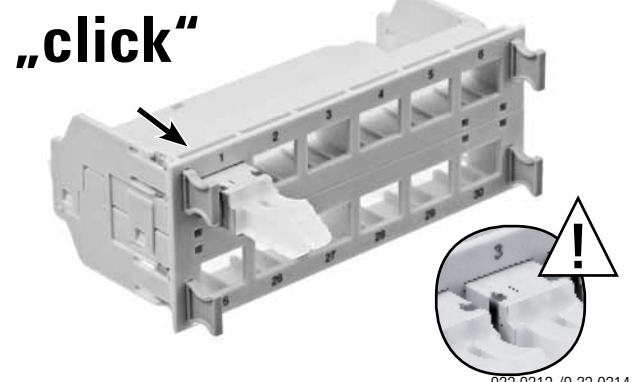
023.0212

**B1**



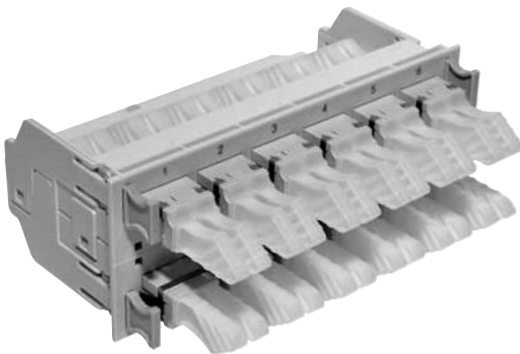
023.0158

**B2**



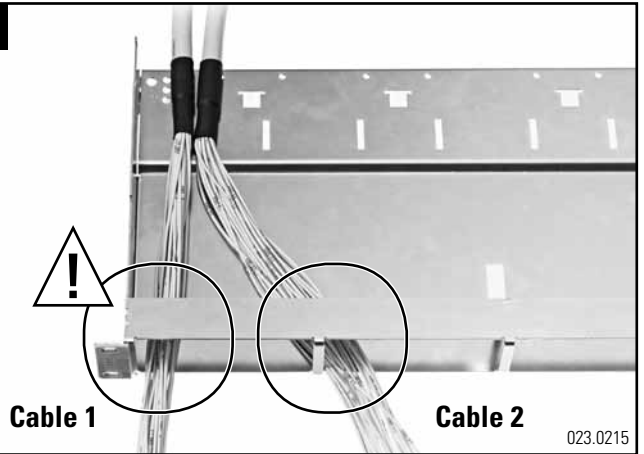
023.0213 / 0 23.0214

**B3**



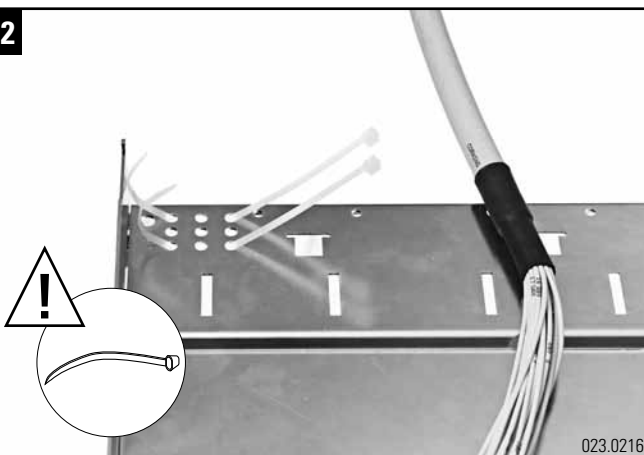
021.2673

**C1**



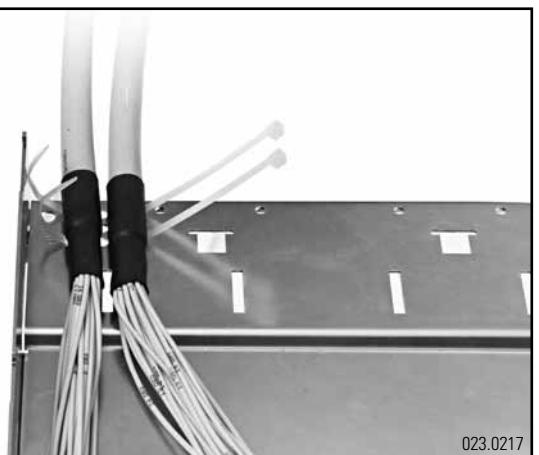
023.0215

**C2**

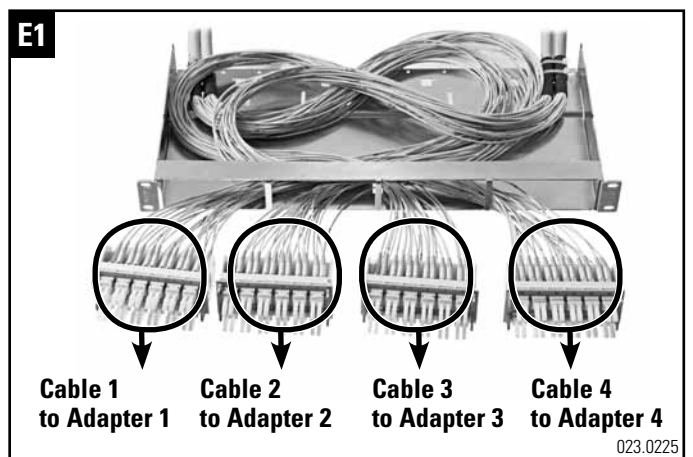
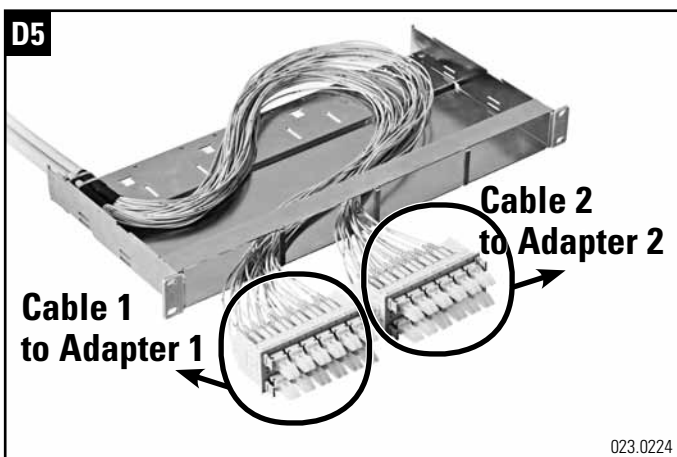
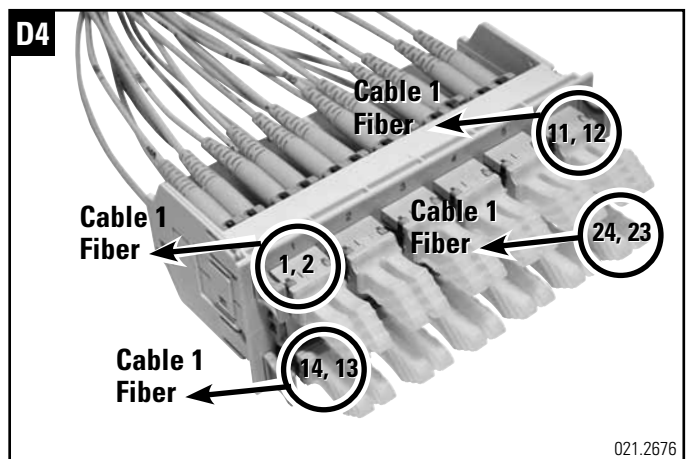
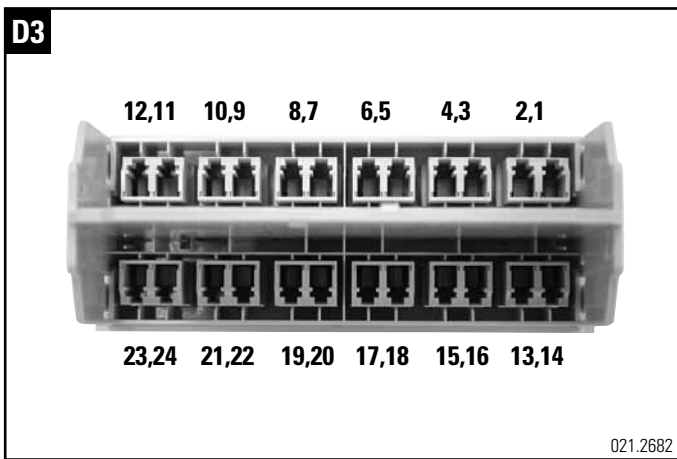
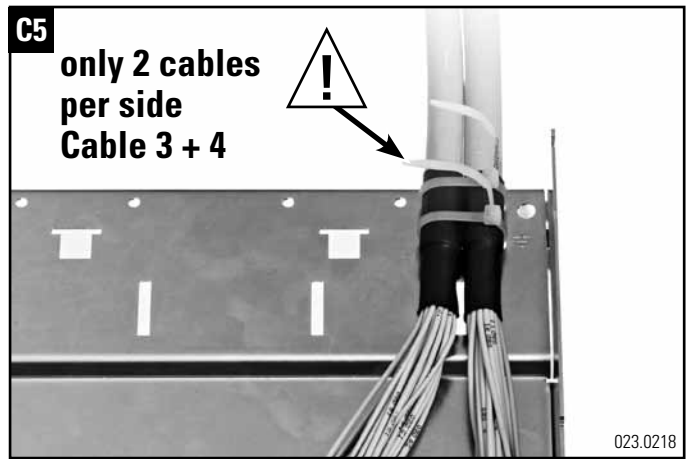
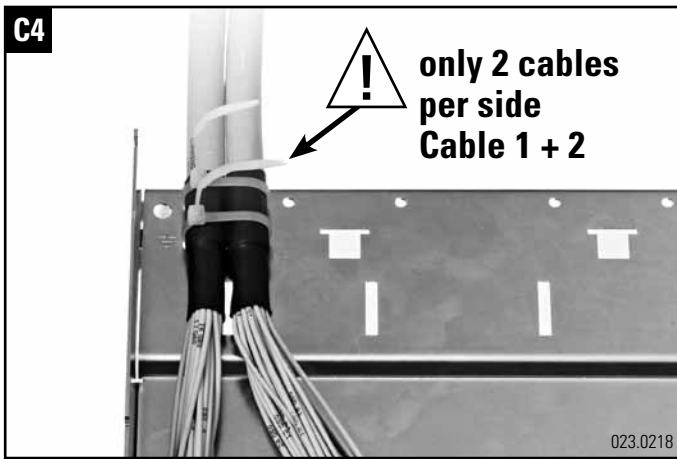


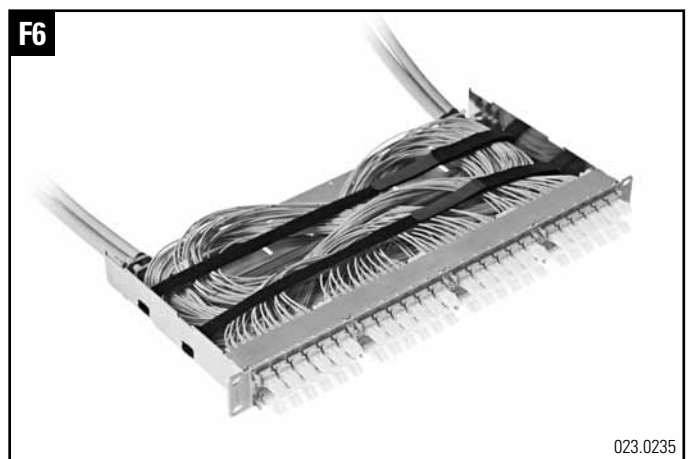
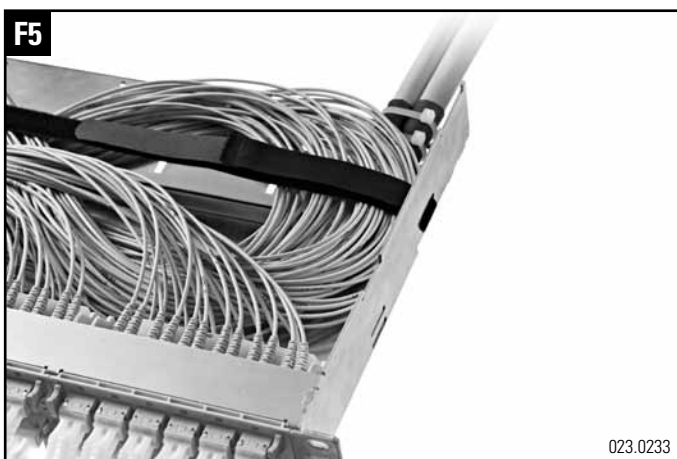
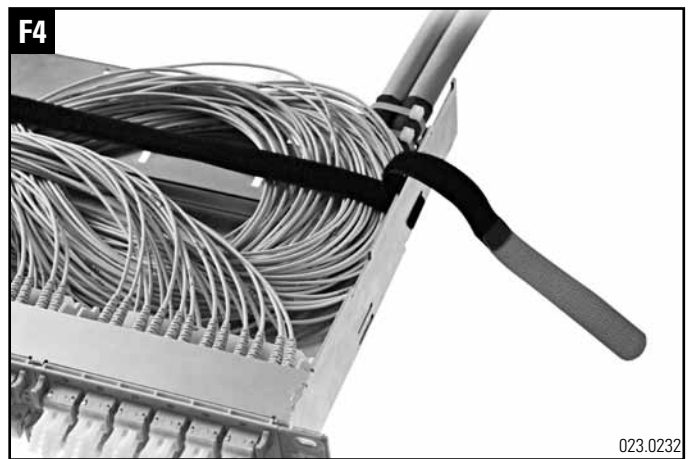
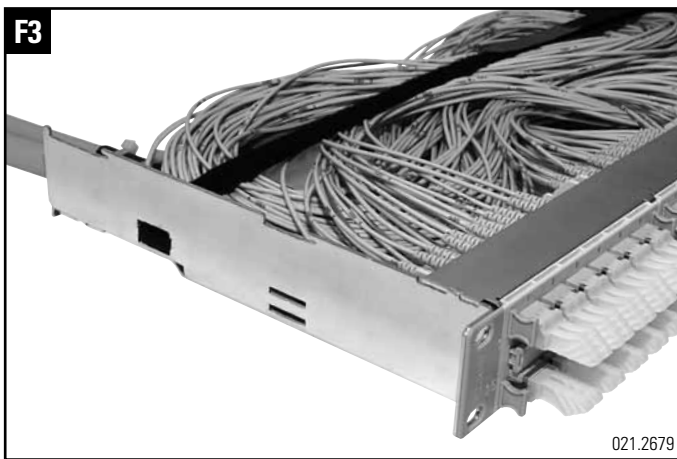
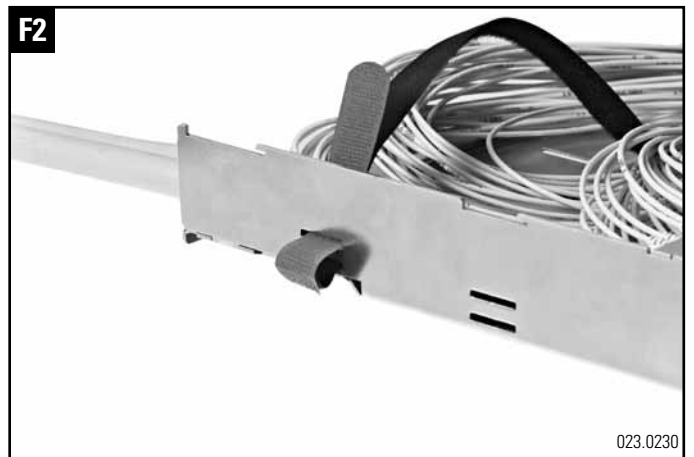
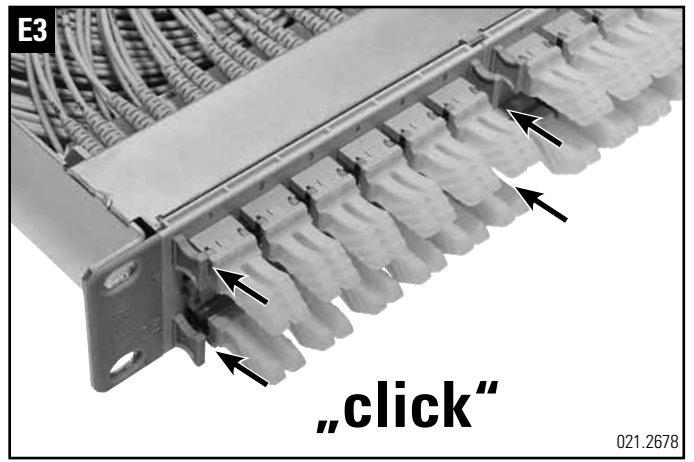
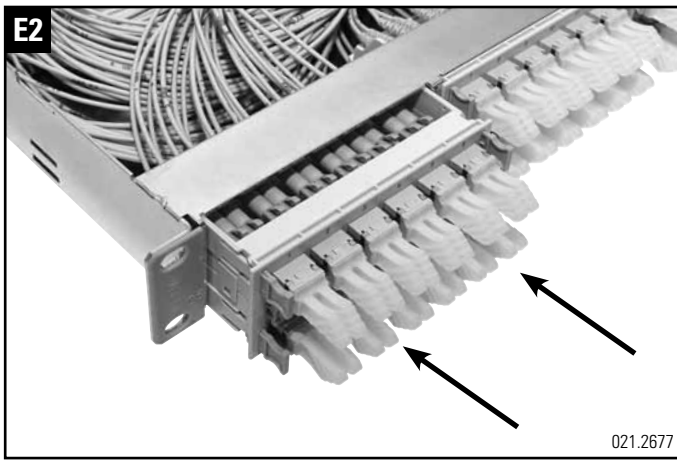
023.0216

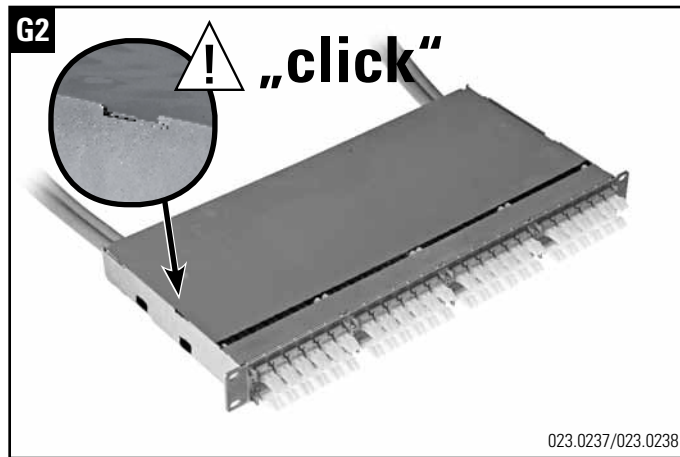
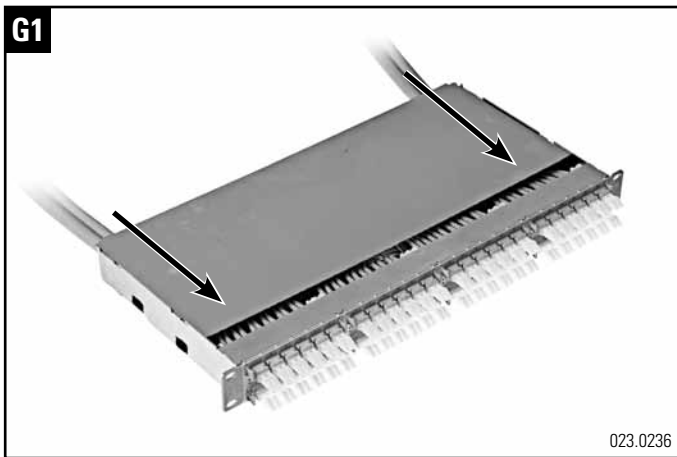
**C3**



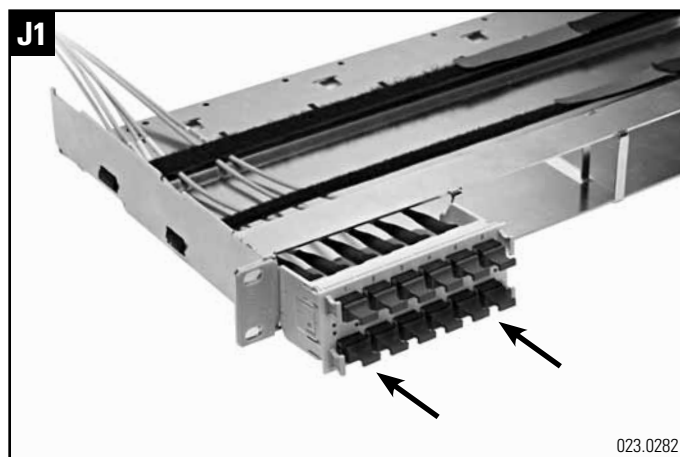
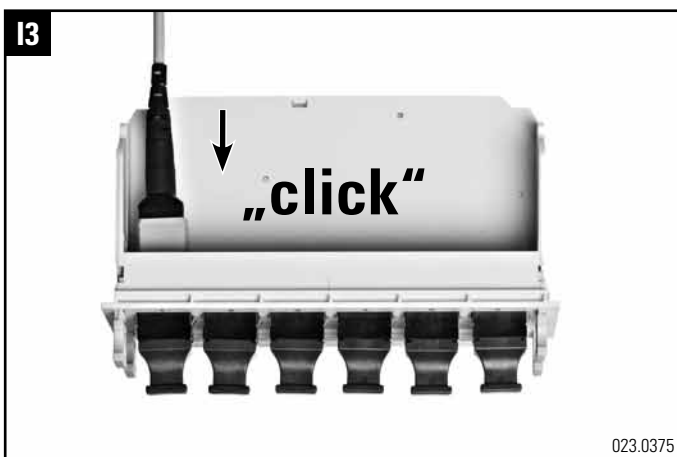
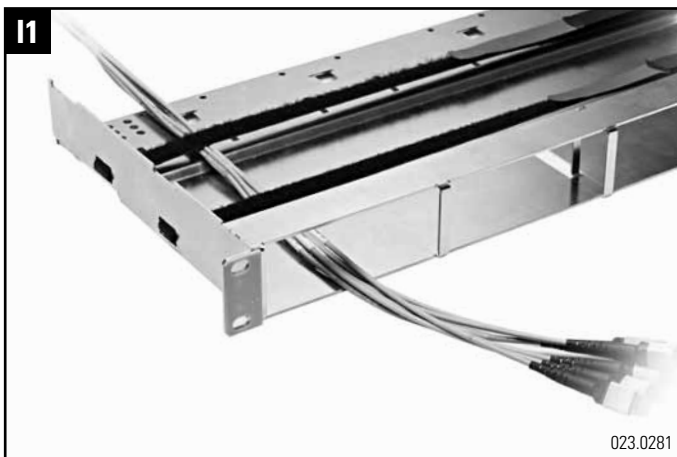
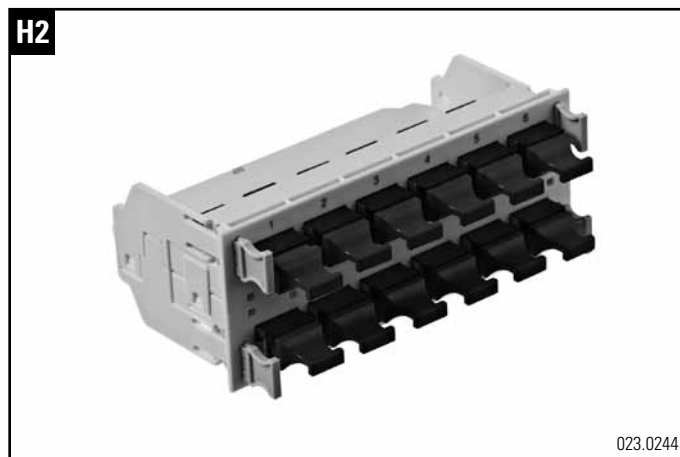
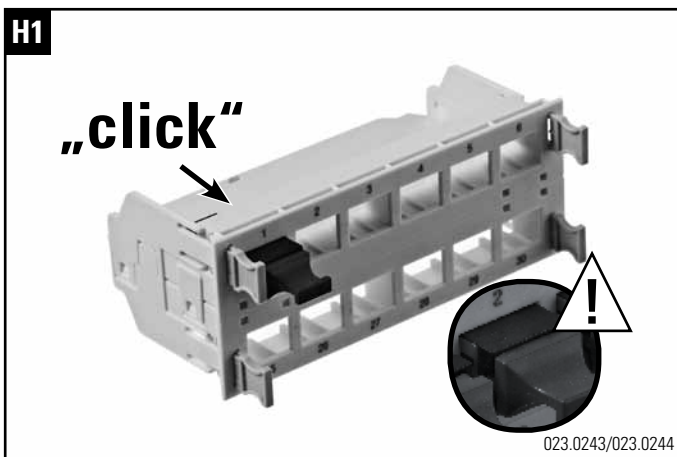
023.0217

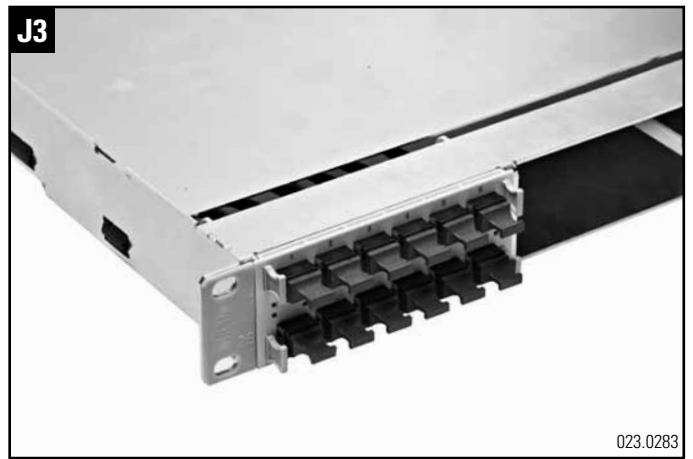
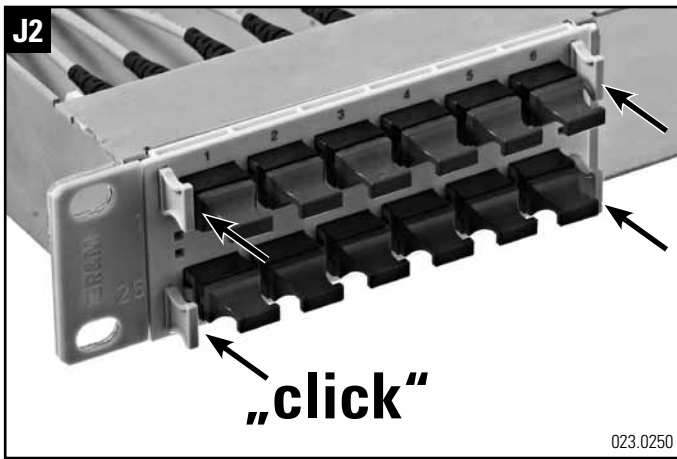




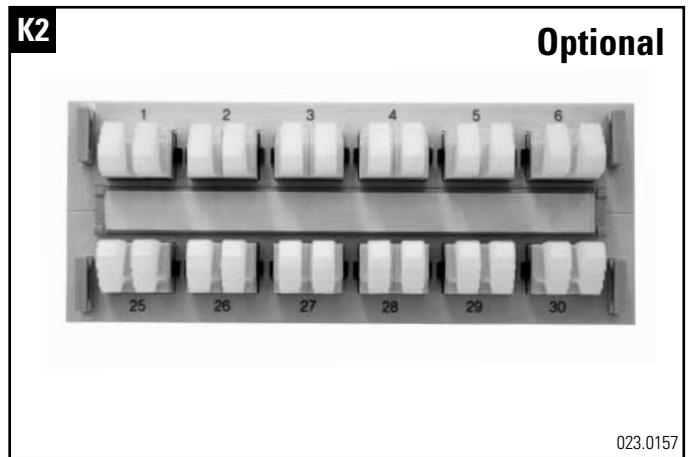
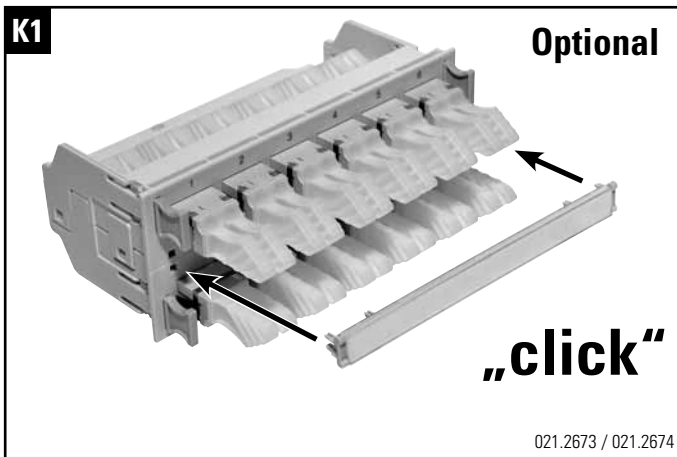


**MPO/MTP**





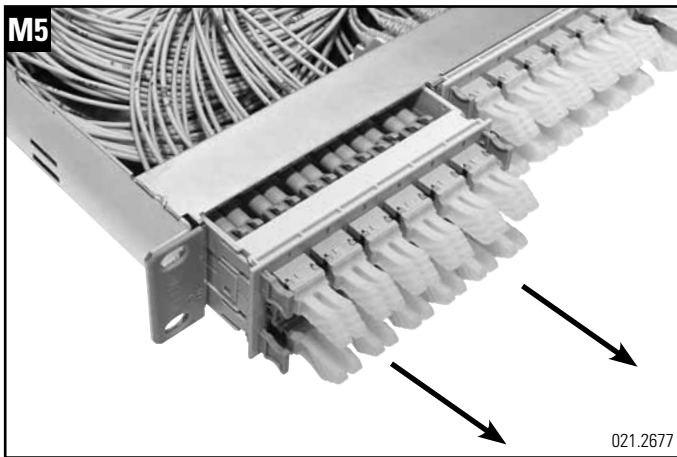
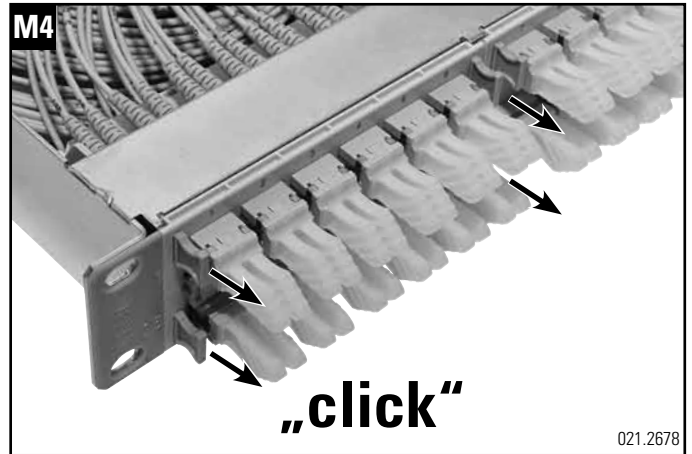
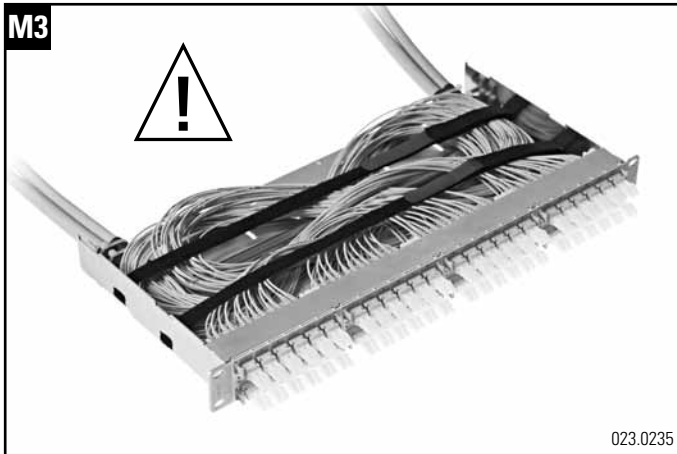
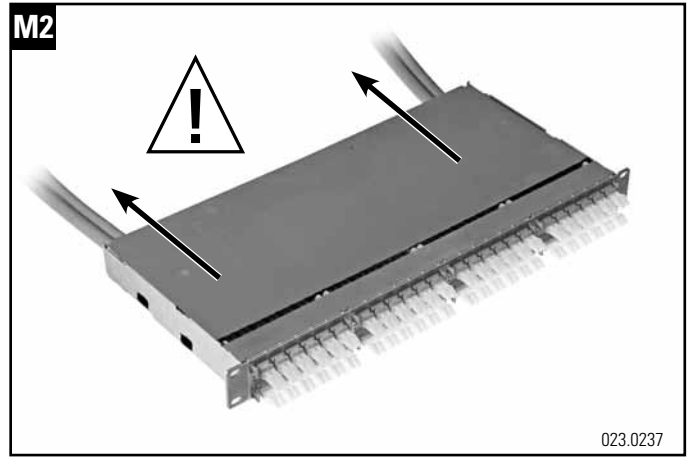
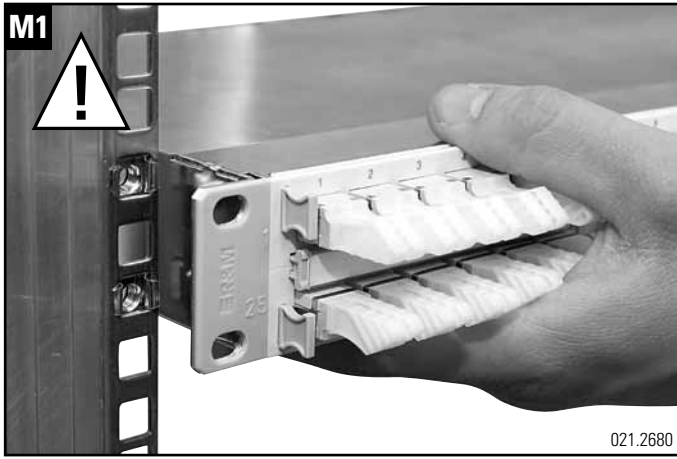
**Beschriftung / Labeling 48 Port**



**Beschriftung / Labeling 24 Port**



## Demontage / Remove



**Headquarters**

**Switzerland**

Reichle & De-Massari AG  
Binzstrasse 32  
CHE-8620 Wetzikon

Telephone HQ +41 44 933 81 11

Telefax HQ +41 44 930 49 41

E-Mail [hq@rdm.com](mailto:hq@rdm.com)

[www.rdm.com](http://www.rdm.com)

