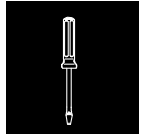


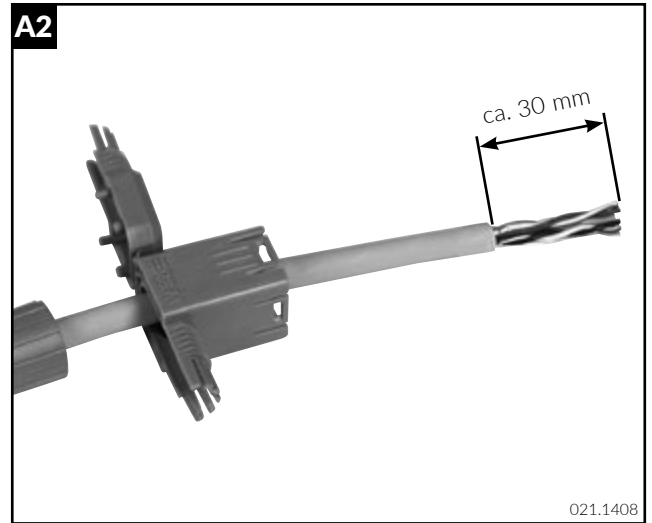
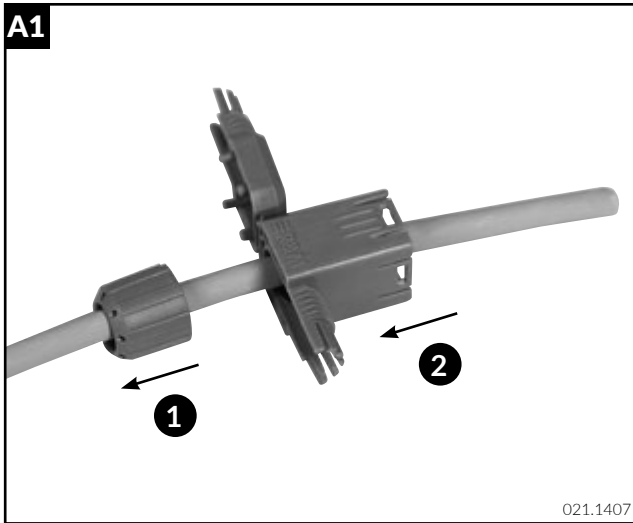
# Installationsanleitung FM45 Angled/IP20

## Installation guide FM45 Angled/IP20

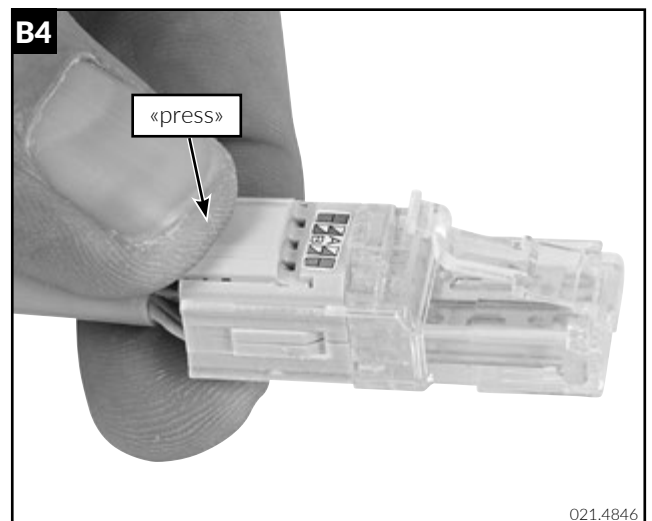
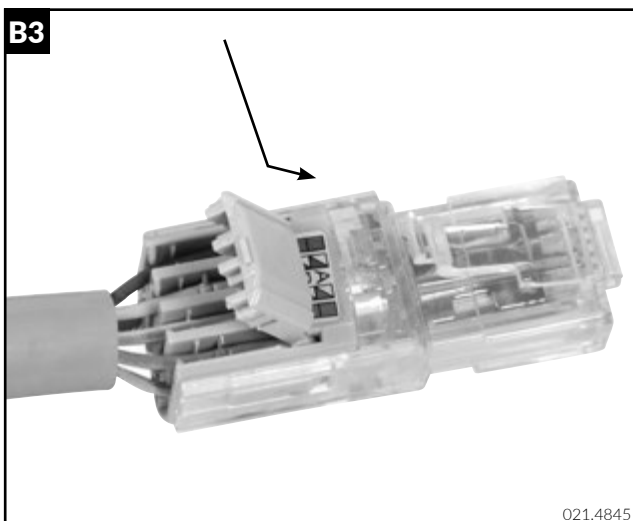
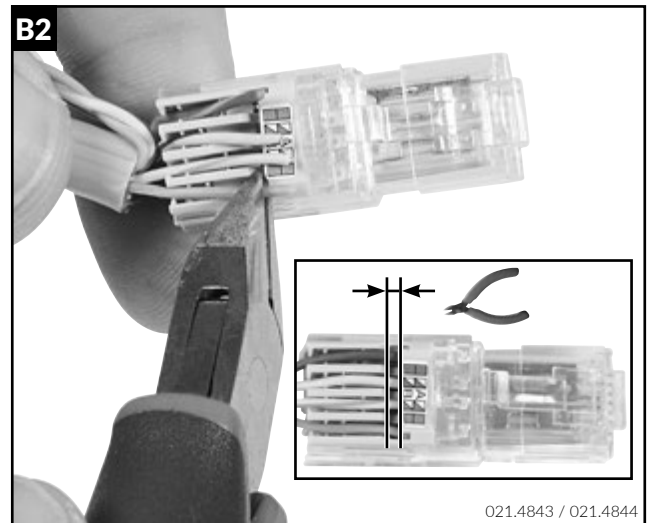
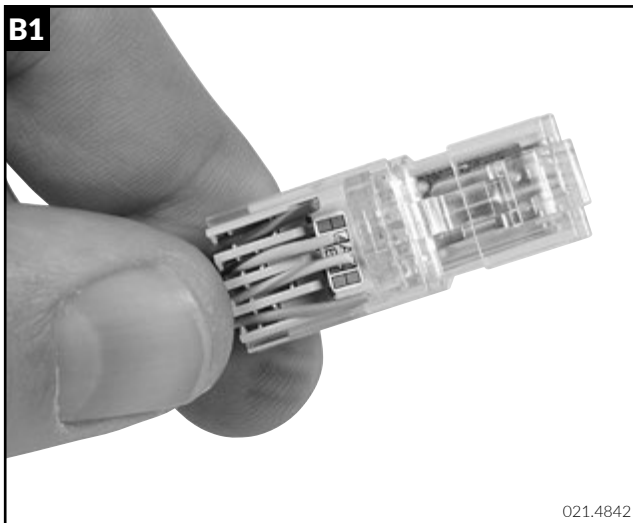
### Instructions de montage FM45 À angles/IP20

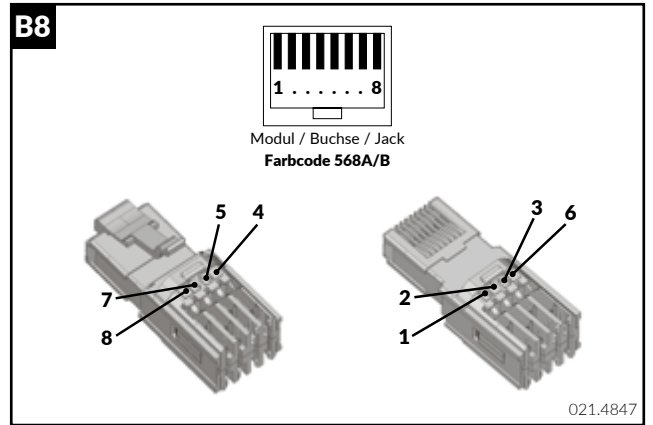
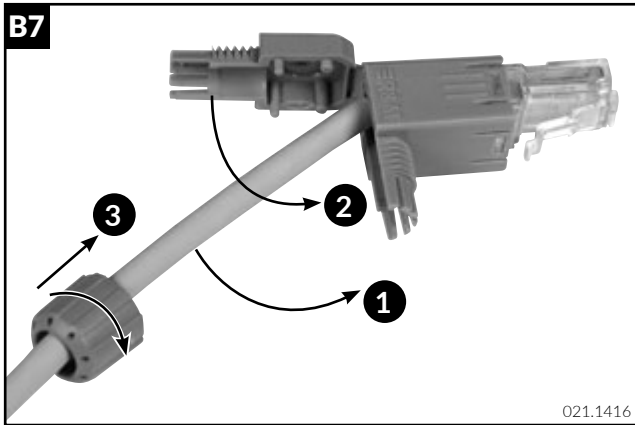
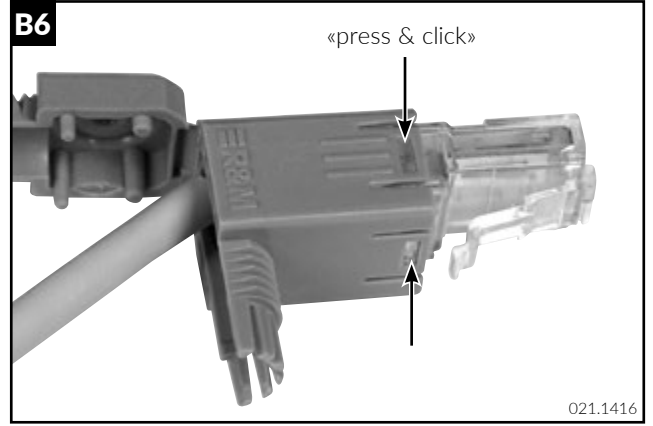
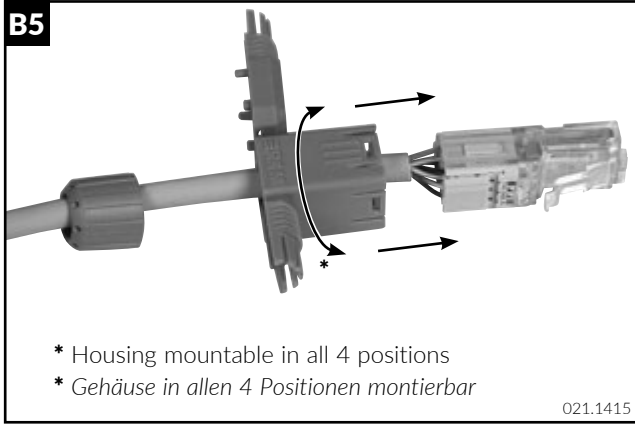


#### A - Preparation / Vorbereitung

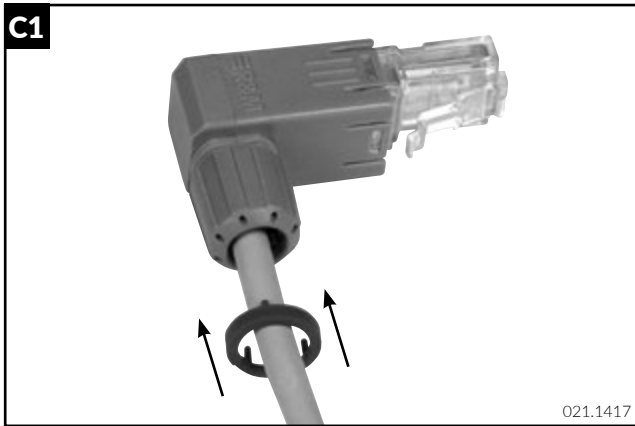


#### B - Installation / Installation





**C - Optional Colour Coding / Optionale Farbcodierung**



**Please note:**  
This guide shows the best practices for installation **ONLY**. R&M expressly disclaims all liability for any damage to material, equipment, and for any injury or death. Legal health and safety regulations should have priority over best practices as shown in this guide. R&M does not guarantee this guide to be free of errors. Products included may vary from products shown. Please exercise caution.

**D - Technical Data / Technische Daten**

| Technical Data           | Cat.5e           | Cat. 6 <sub>A</sub> |
|--------------------------|------------------|---------------------|
| Admissible Wire Ø:       | AWG26 - AWG23    | AWG26 - AWG22       |
| Admissible Flex Wire Ø:  | AWG26 - AWG23    | AWG26 - AWG22       |
| Admissible insulation Ø: | maximum - 1.6 mm | maximum - 1.6 mm    |
| Outer Diameter:          | 4.5 - 8.0 mm     | 4.5 - 8.0 mm        |

| Technische Daten         | Cat.5e           | Cat. 6 <sub>A</sub> |
|--------------------------|------------------|---------------------|
| Zulässiger Draht Ø:      | AWG26 - AWG23    | AWG26 - AWG22       |
| Zulässiger Litzen Ø:     | AWG26 - AWG23    | AWG26 - AWG22       |
| Zulässiger Isolations Ø: | maximal - 1.6 mm | maximal - 1.6 mm    |
| Kabeldurchmesser:        | 4.5 - 8.0 mm     | 4.5 - 8.0 mm        |

**Headquarters**

**Switzerland**

Reichle & De-Massari AG  
Binzstrasse 32  
CHE-8620 Wetzikon  
Telephone HQ +41 (0)44 933 81 11  
Telefax HQ +41 (0)44 930 49 41  
E-Mail [hq@rdm.com](mailto:hq@rdm.com)

[www.rdm.com](http://www.rdm.com)

