

Sortiment / Assortment

**A1** SCM 4 HD



090.6981

**A2** SCM KVz 82 HD



090.6983

**A3** SCM 8 HD



090.6982

**A4** SCM 11 HD

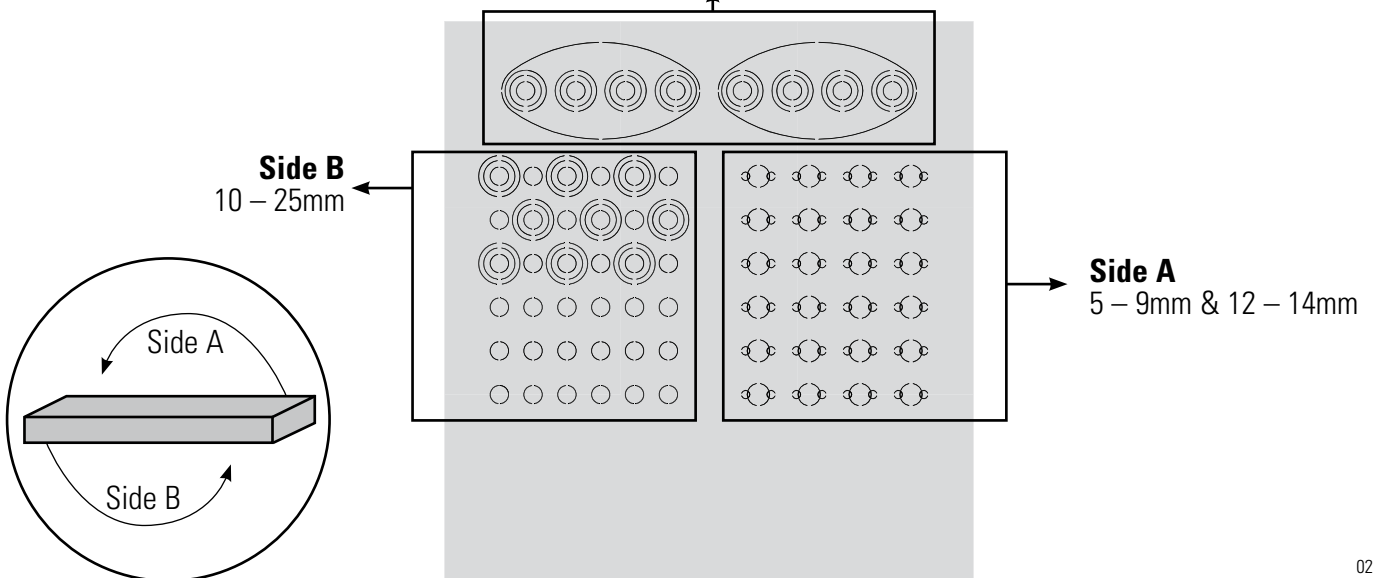


090.6984

Bodenplatten / Base plates

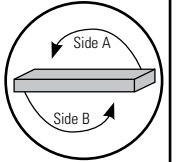
**B1** SCM 4 HD

10 – 25mm



021.2787

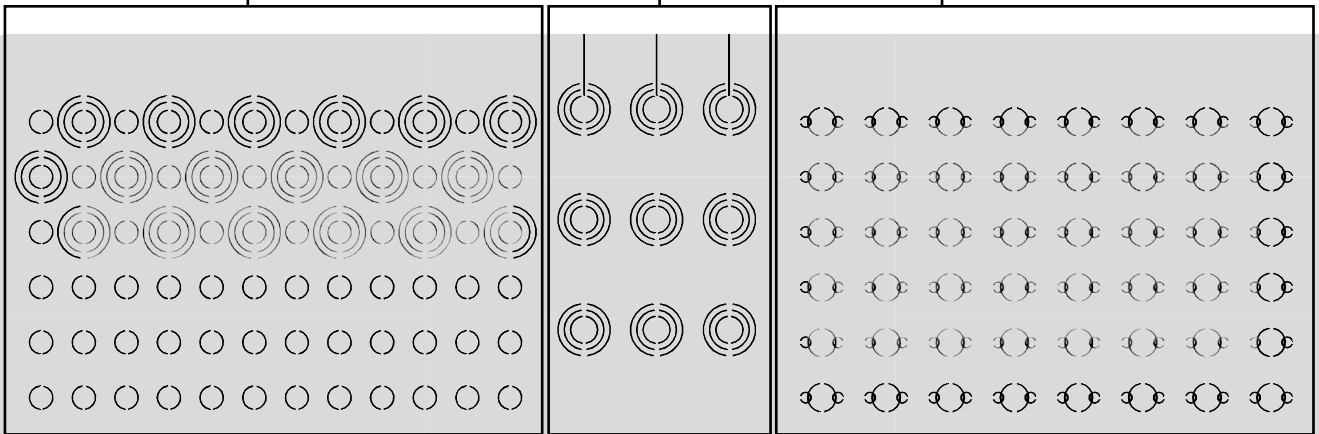
**B2** SCM 8 HD / SCM KVz 82 HD



**Side B**  
10 – 25mm

10 – 25mm

**Side A**  
5 – 9mm & 12 – 14mm

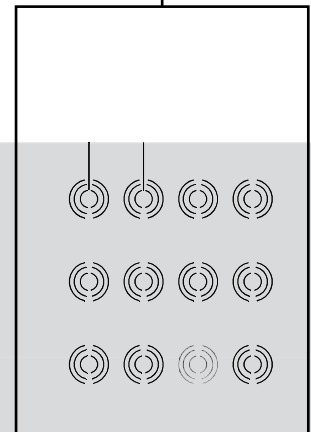
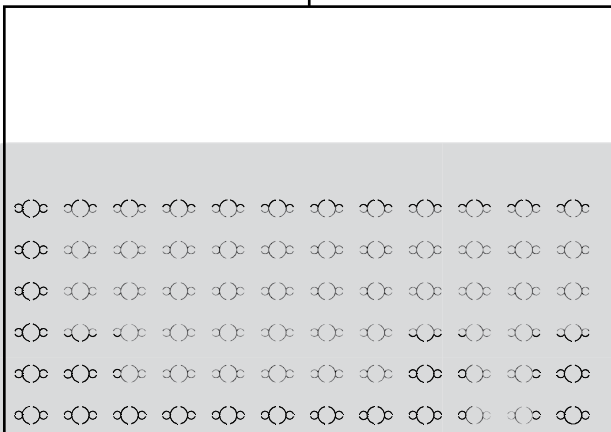


021.2786

**B3** SCM 11 HD 5-9/12-14mm

5 – 9mm & 12 – 14mm

10 – 25mm

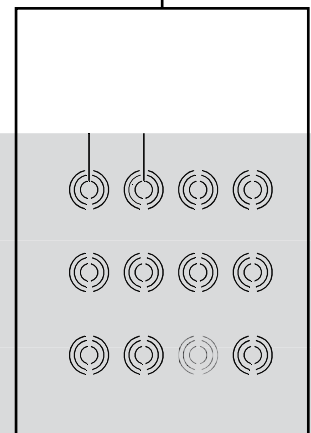
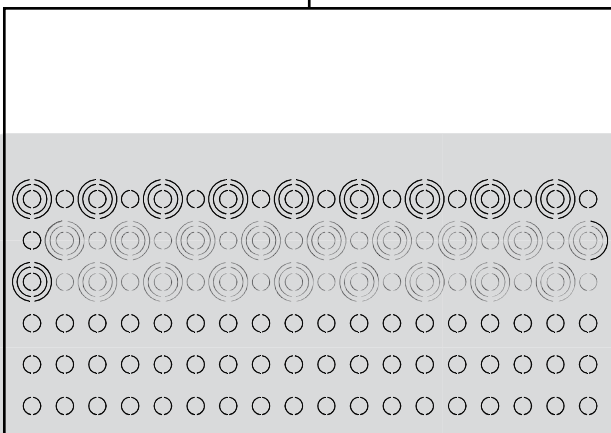


021.2784

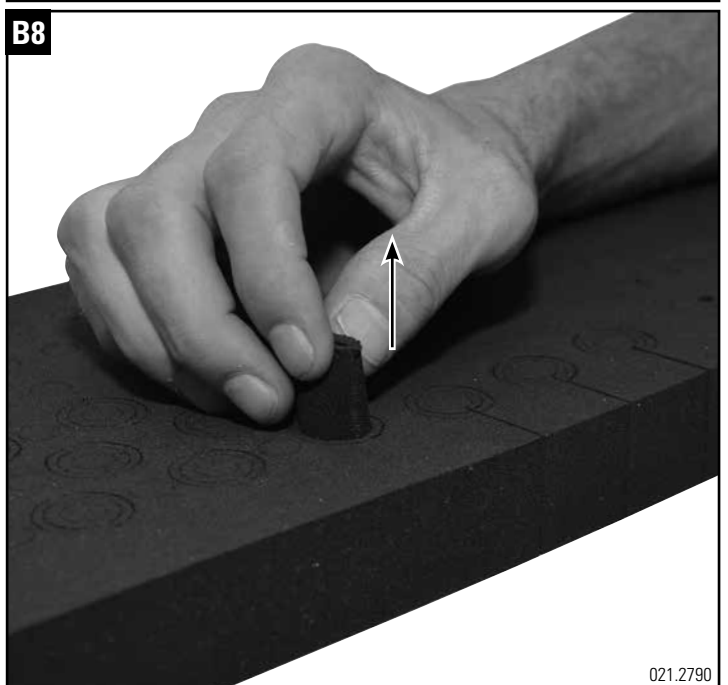
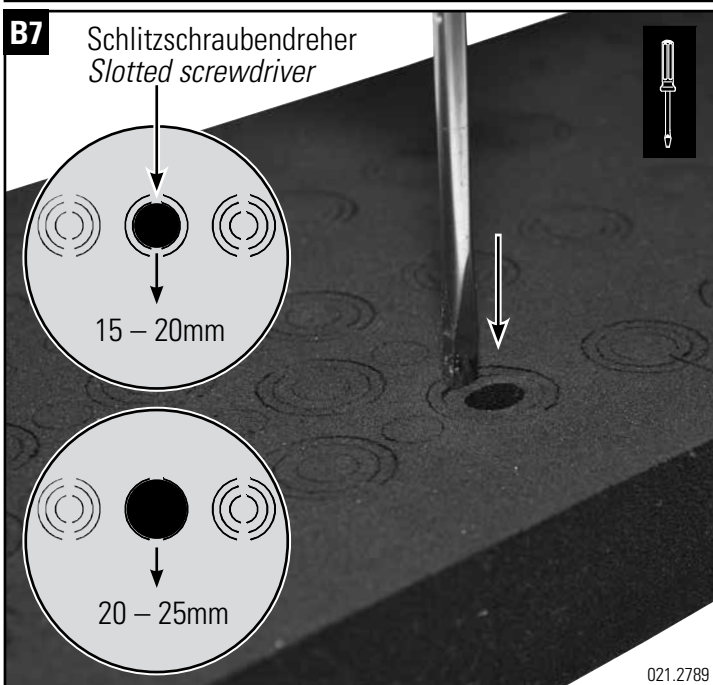
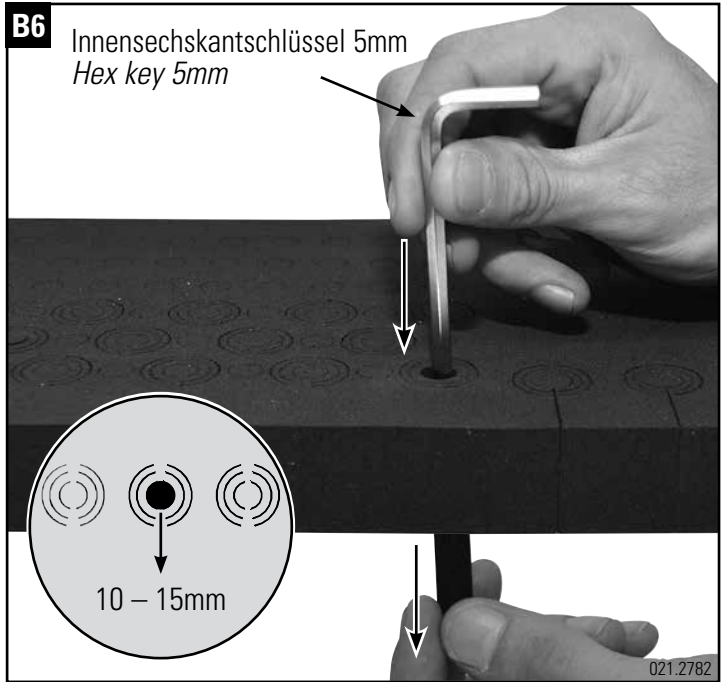
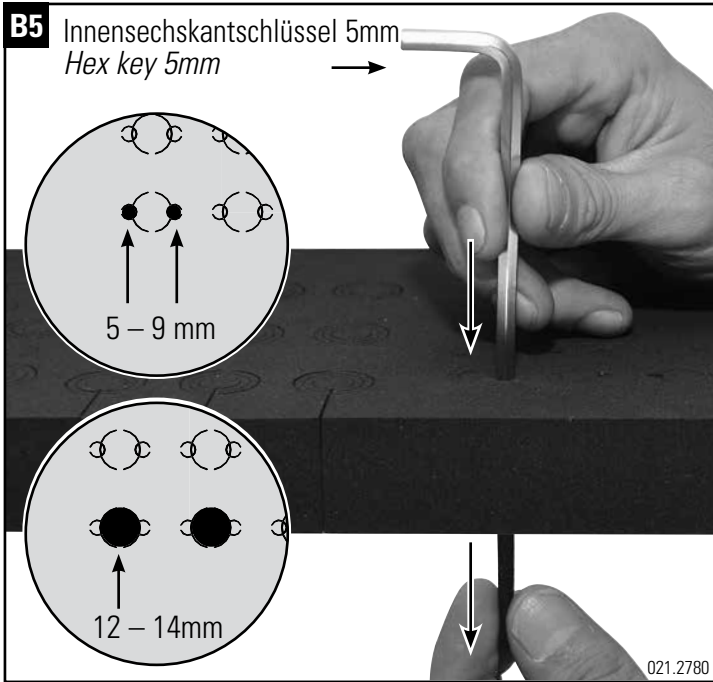
**B4** SCM 11 HD 12-25mm

10 – 25mm

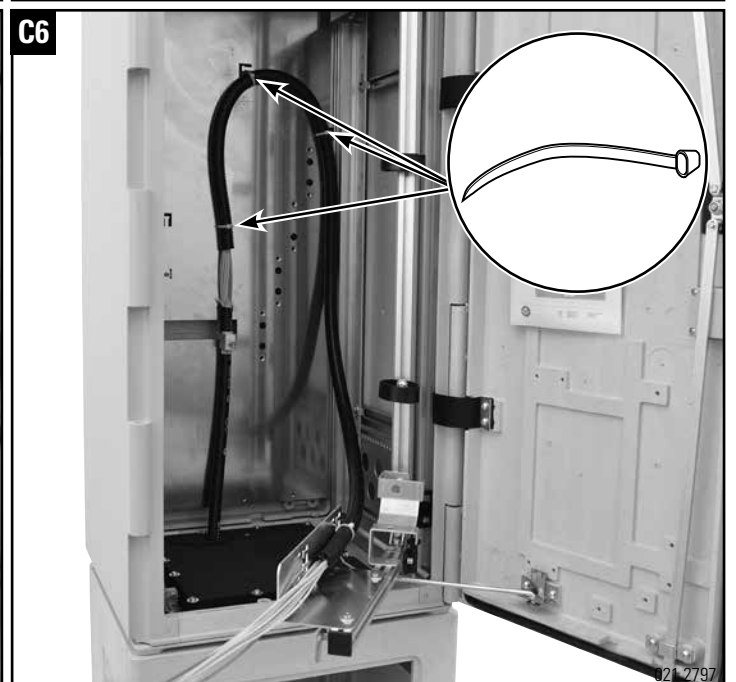
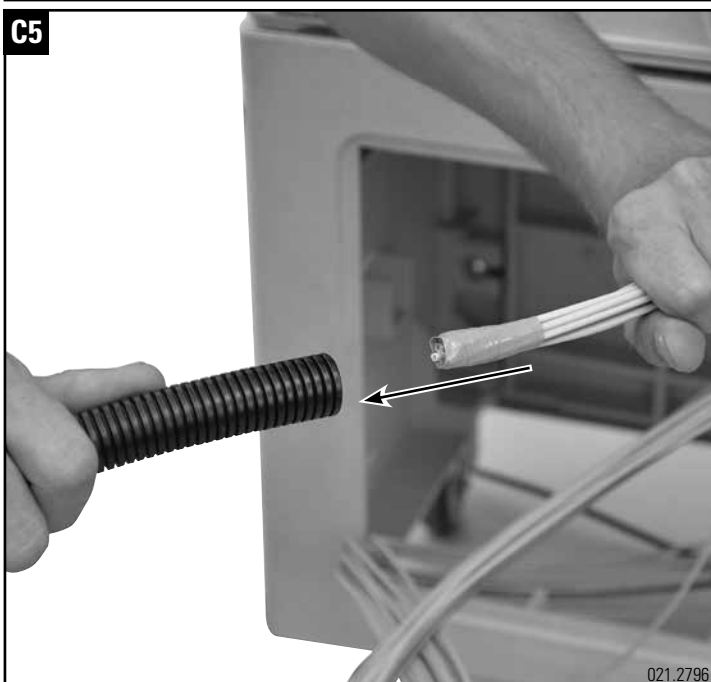
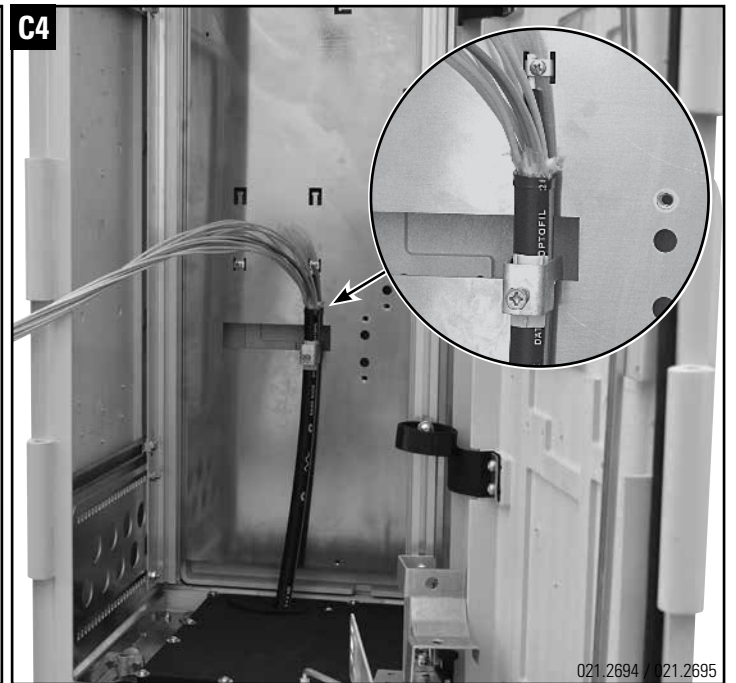
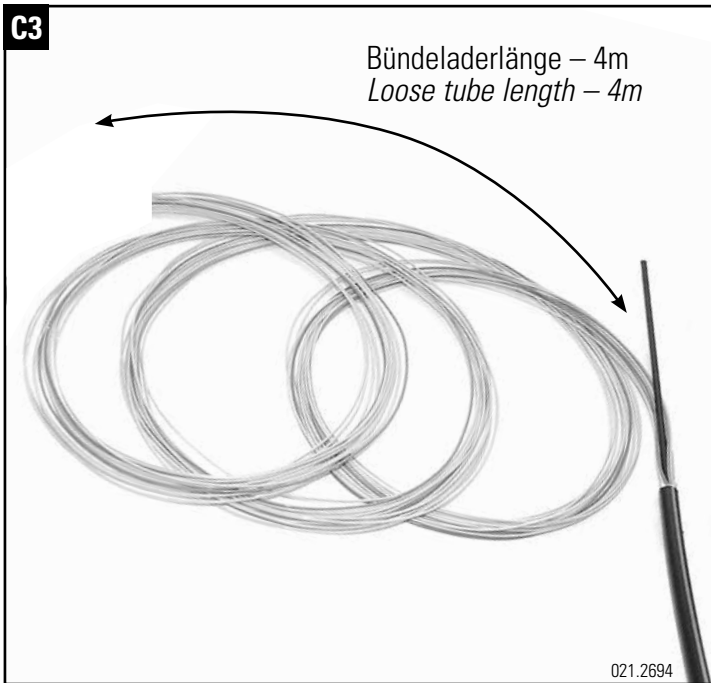
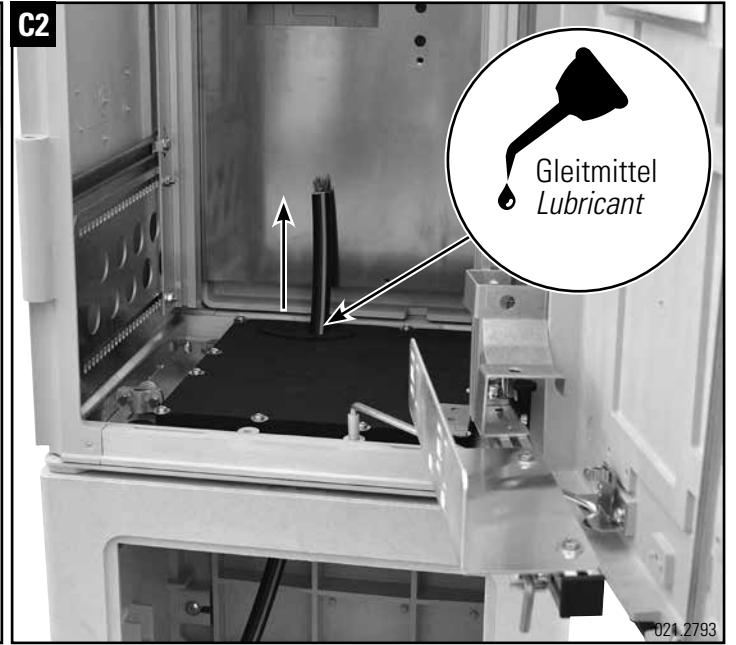
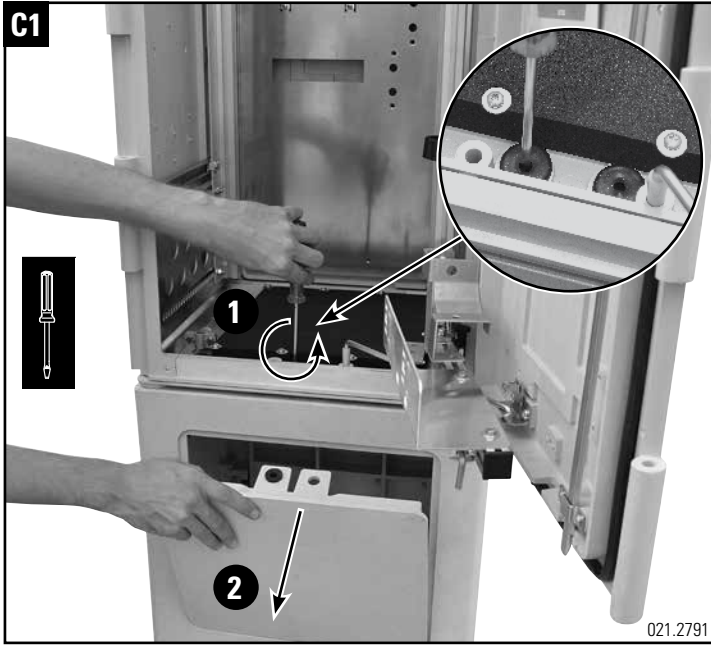
10 – 25mm

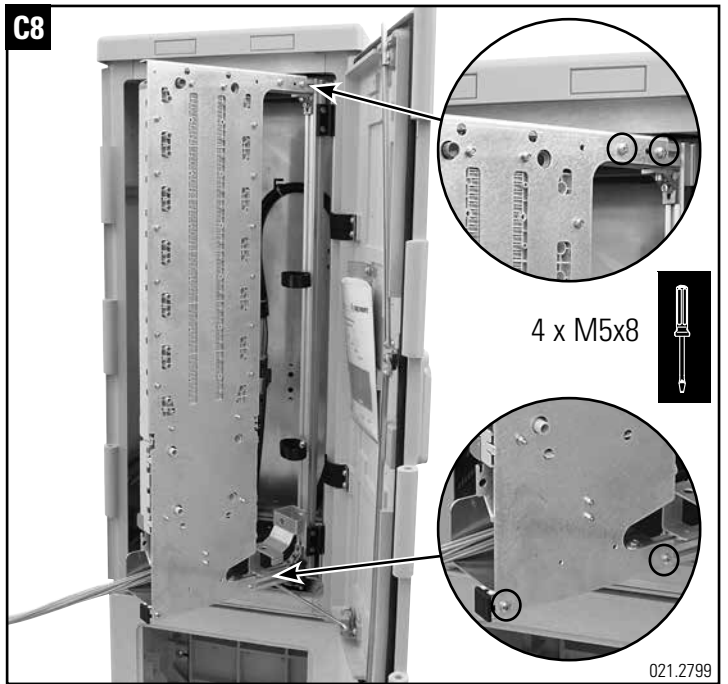
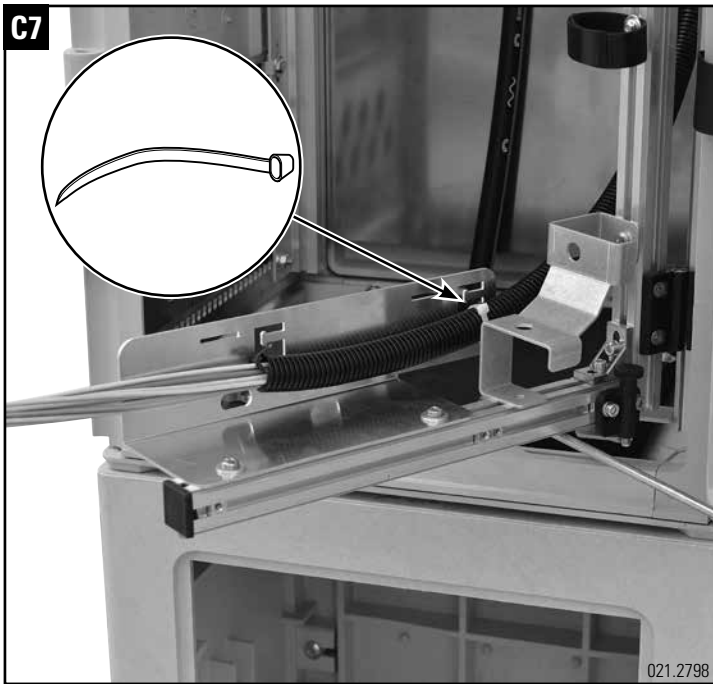


021.2785

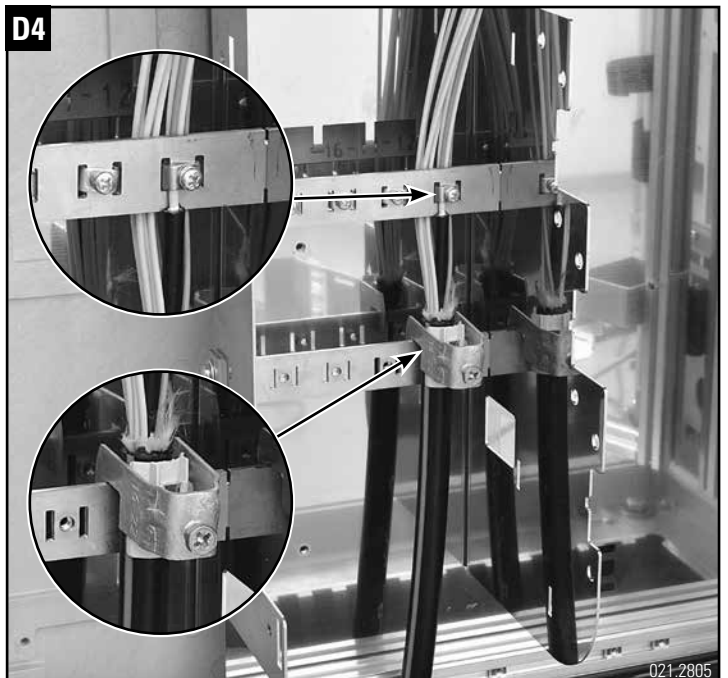
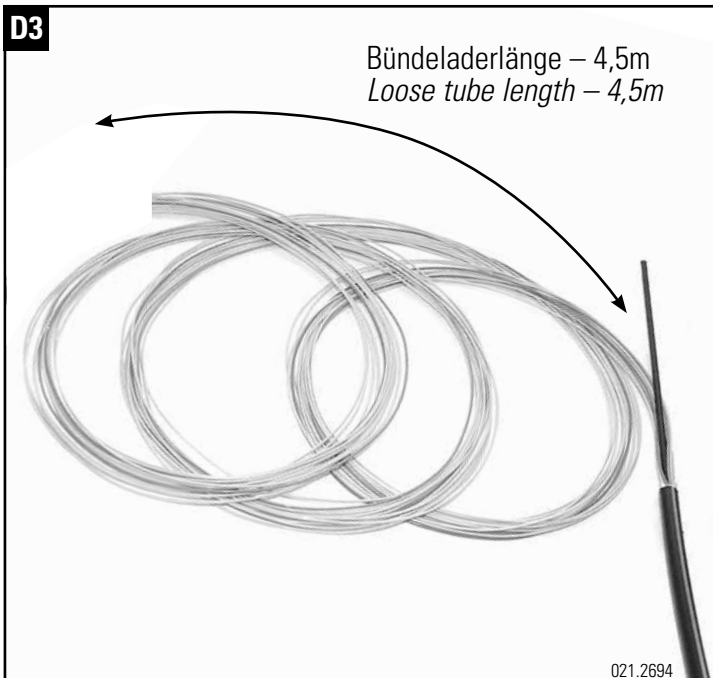
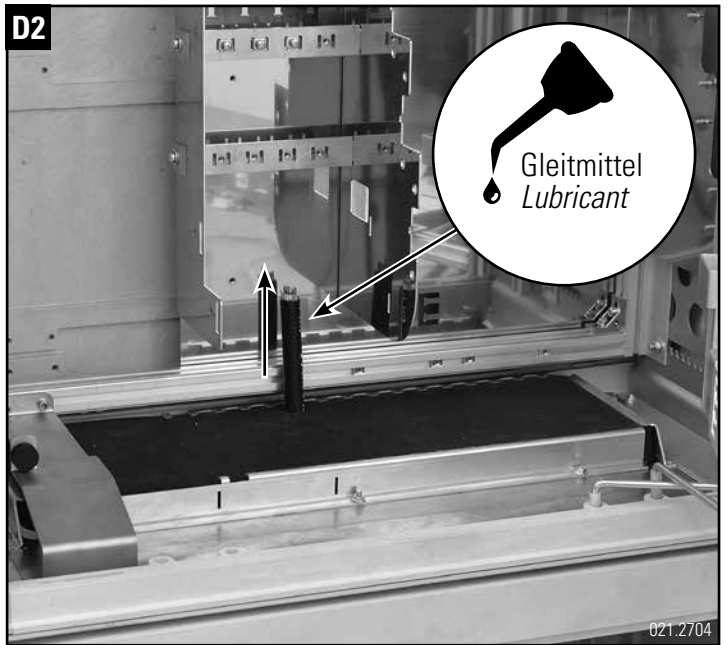
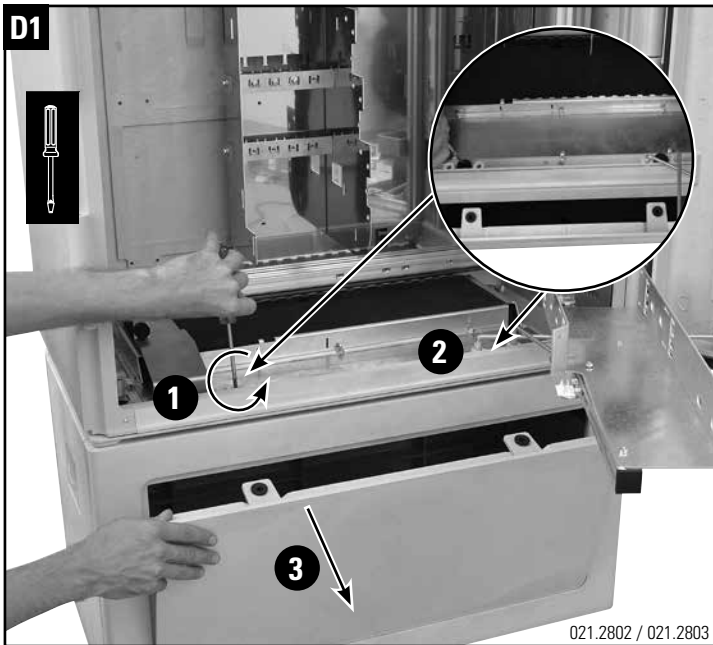


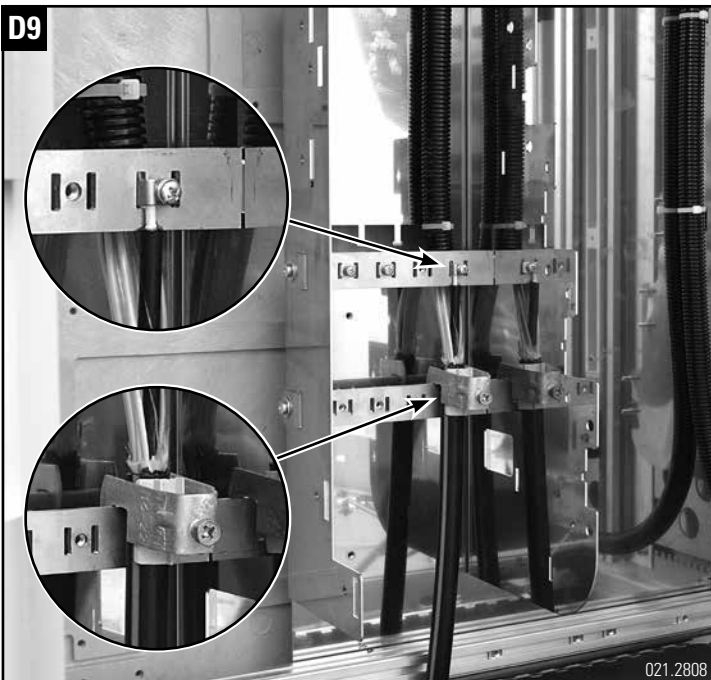
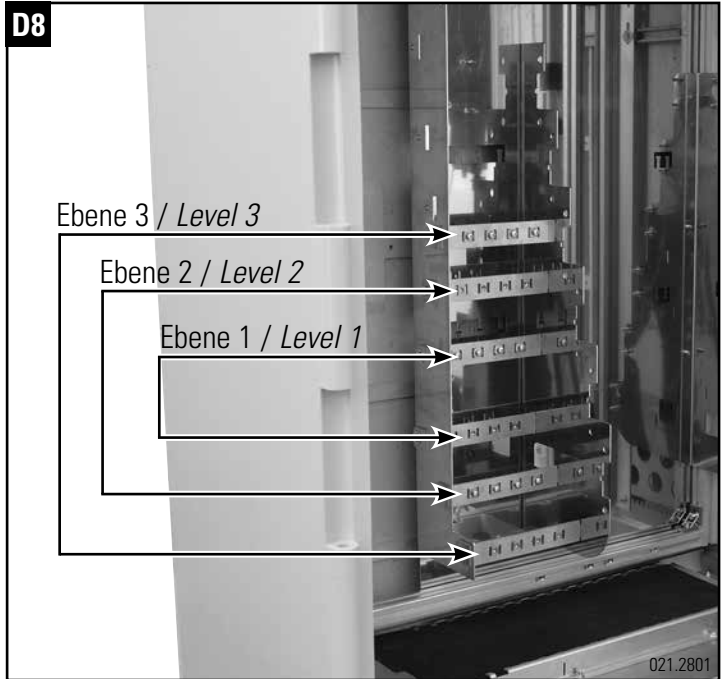
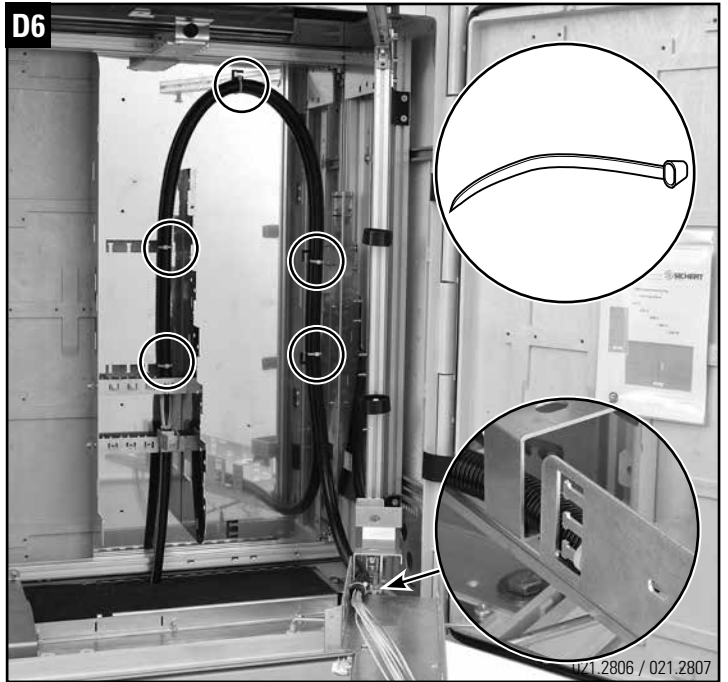
**SCM 4 HD: Stammkabel: Bündeladerkabel / Main cable: Loose tube cable**



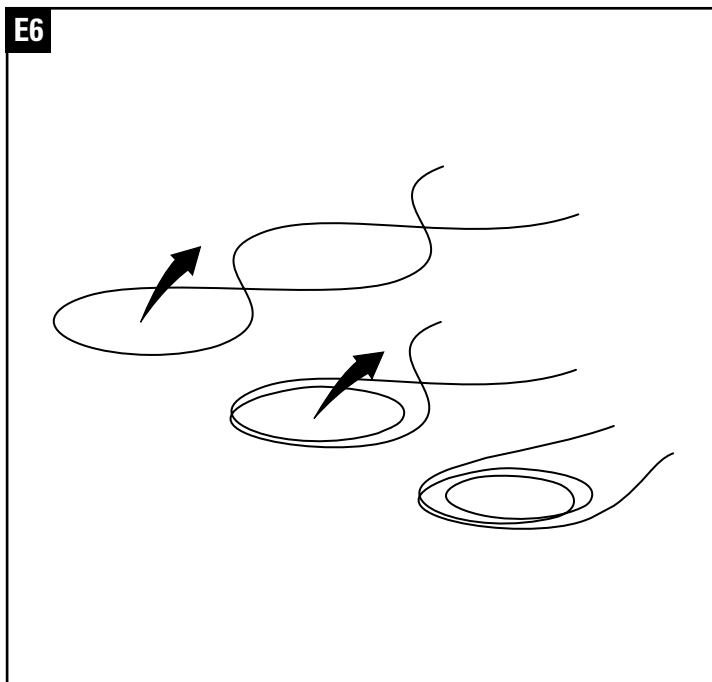
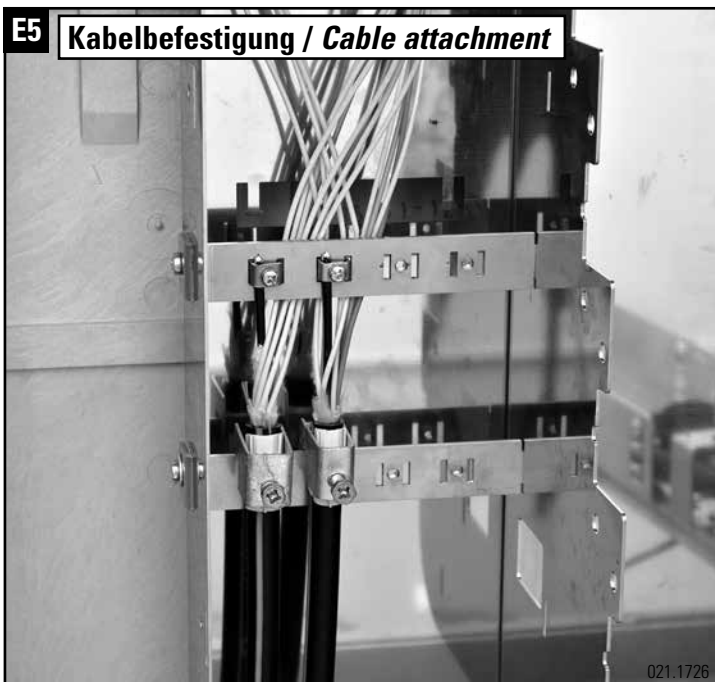
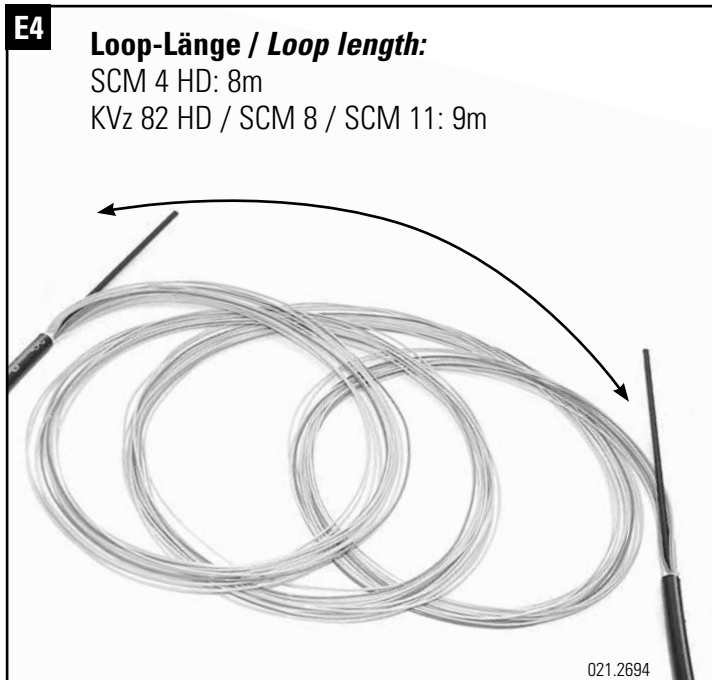
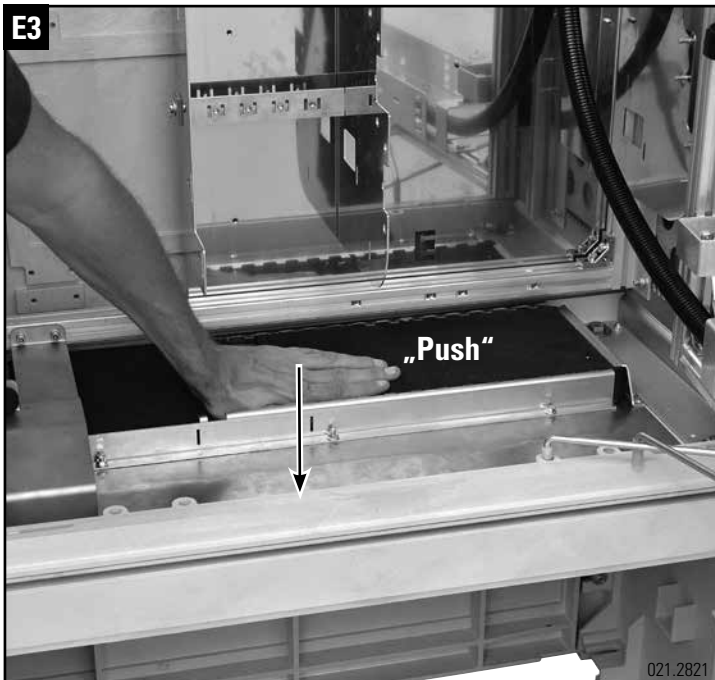
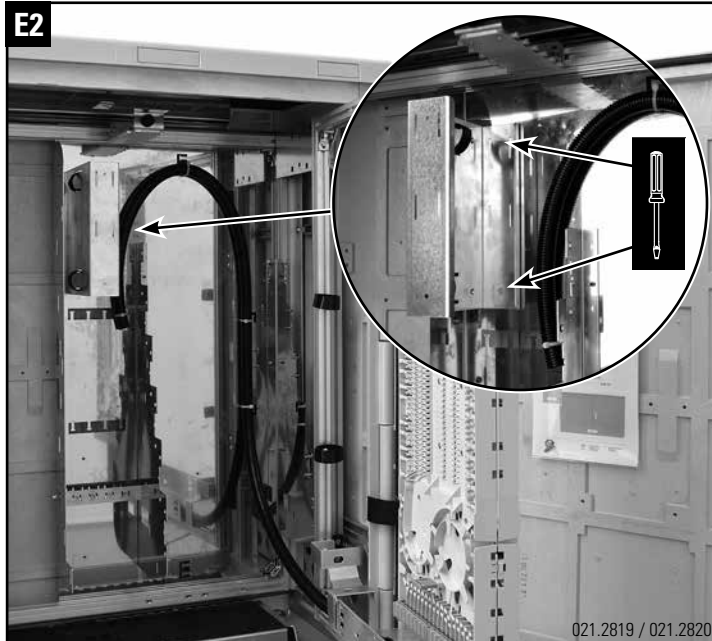


**SCM 8 / 11 / KVz 82 HD: Stammkabel: Bündeladernkabel / Main cable: Loose tube cable**

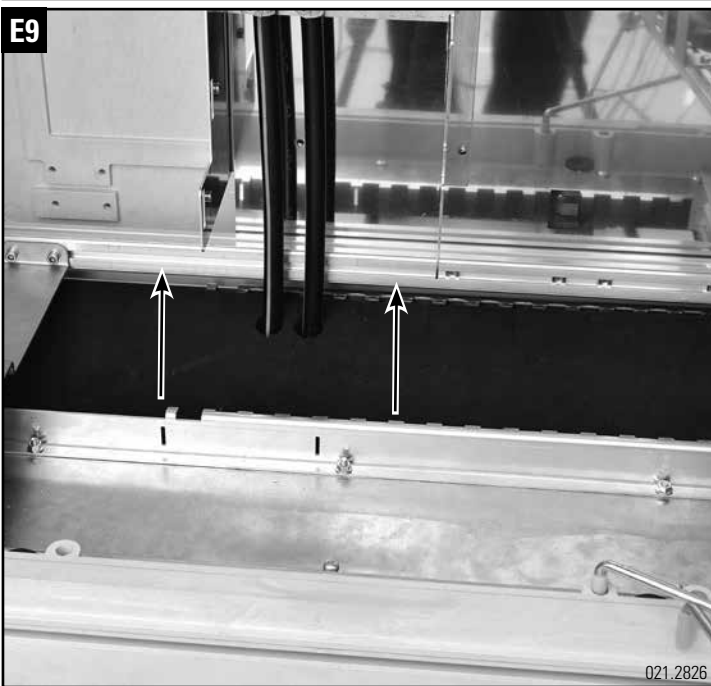
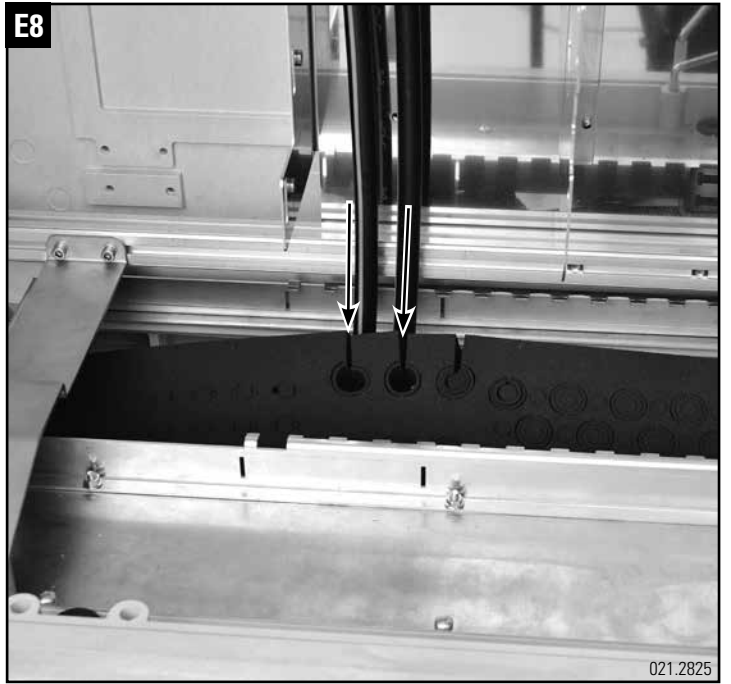
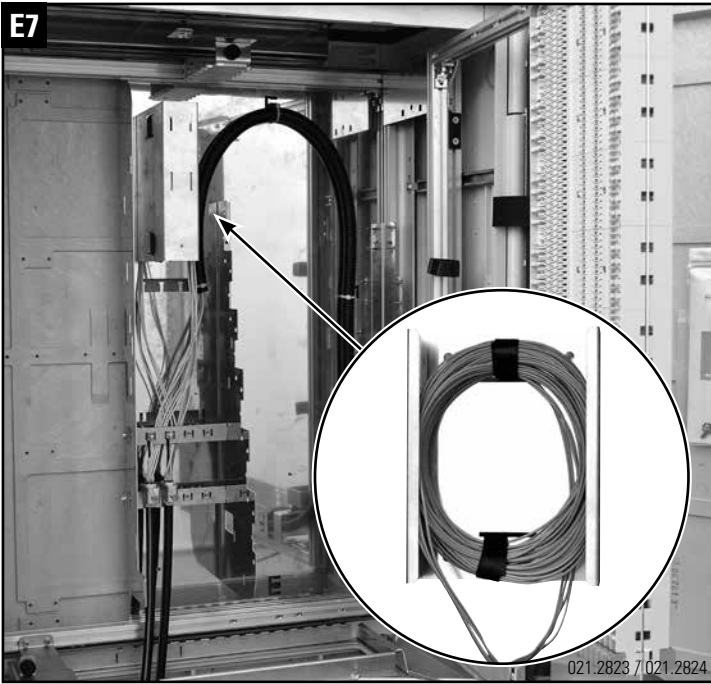




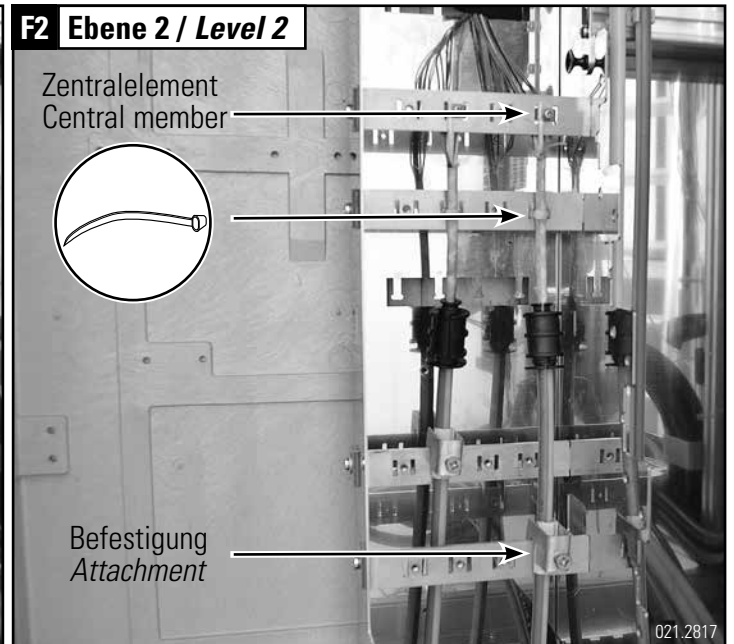
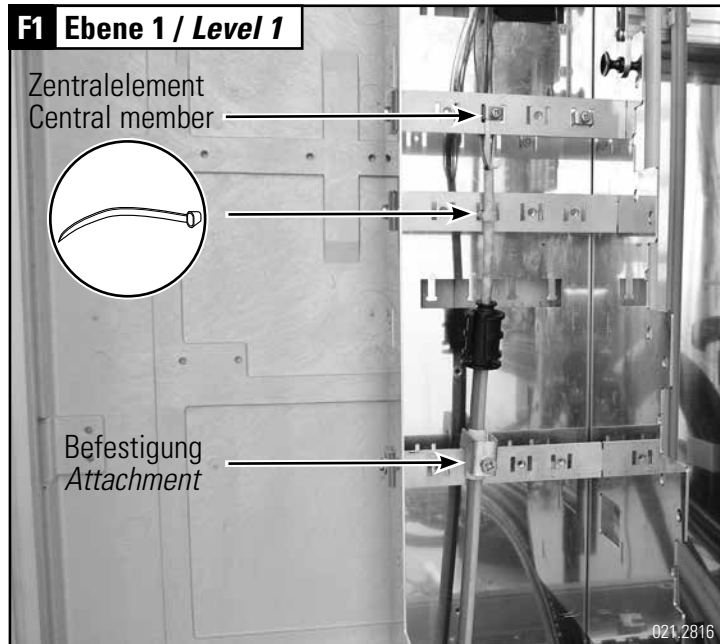
# Loop & Bündeladerreserve / Loop & loose tube reserve



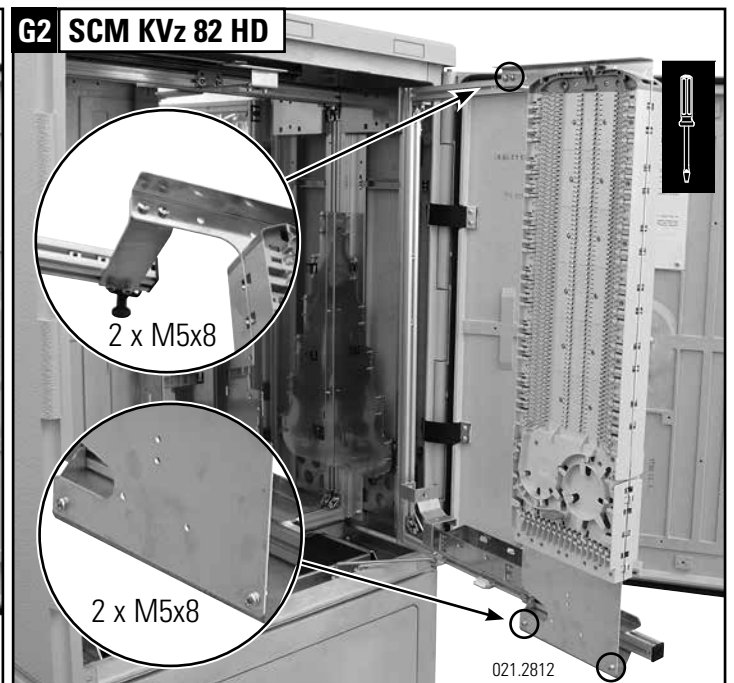
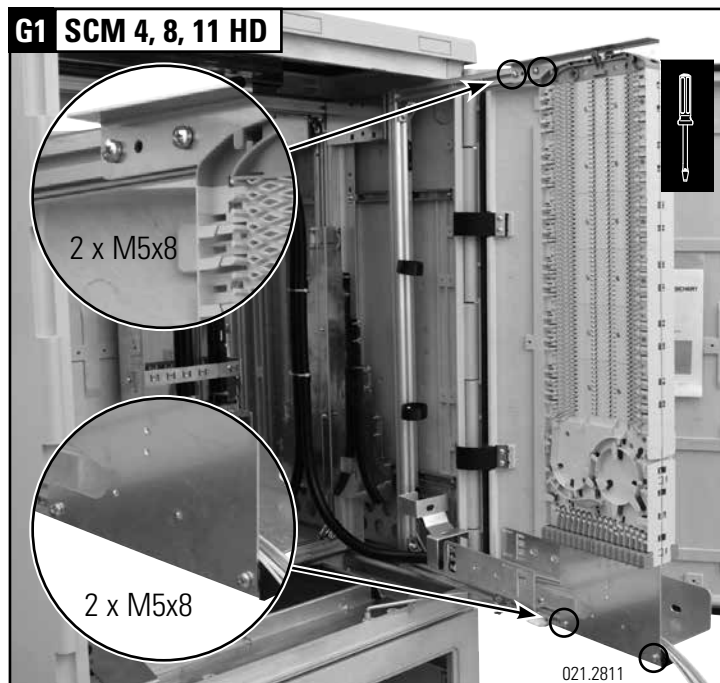




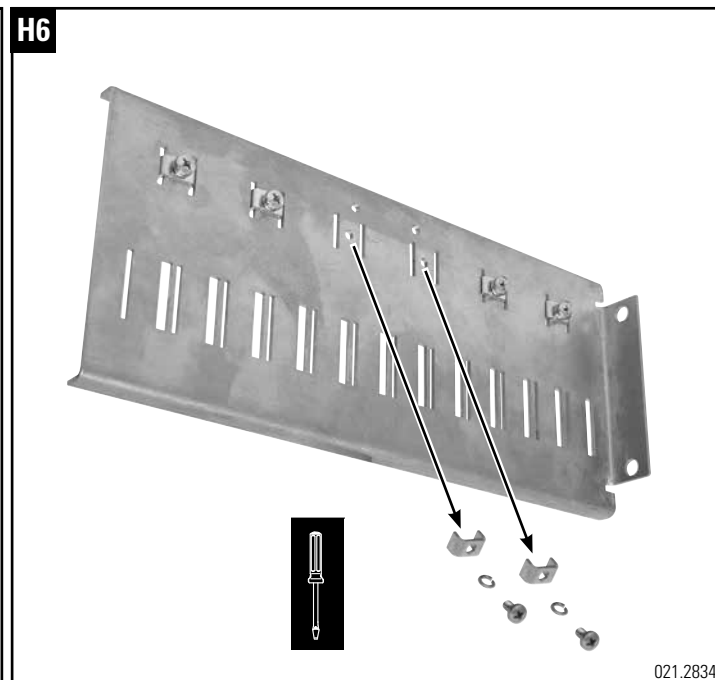
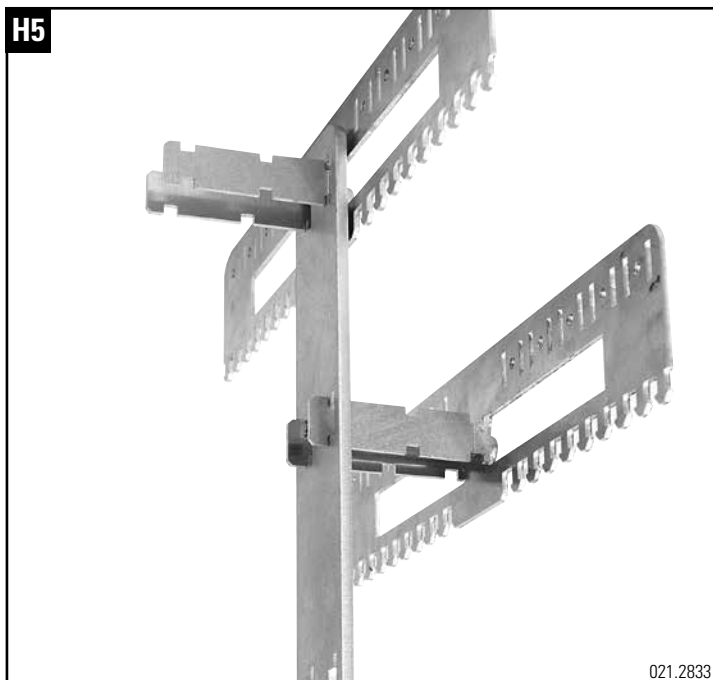
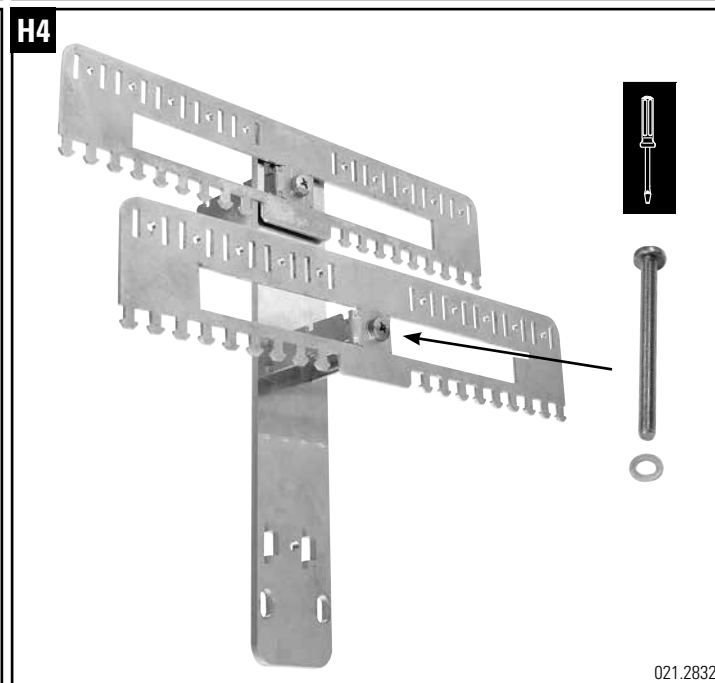
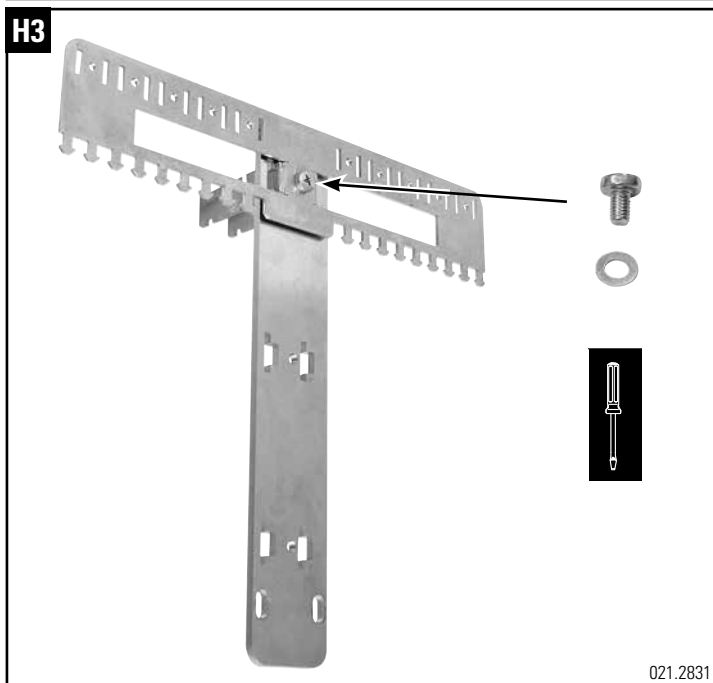
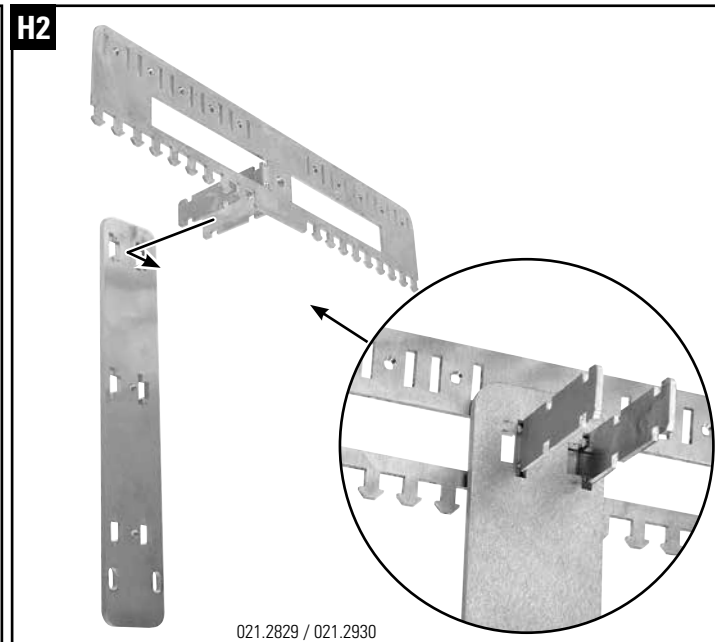
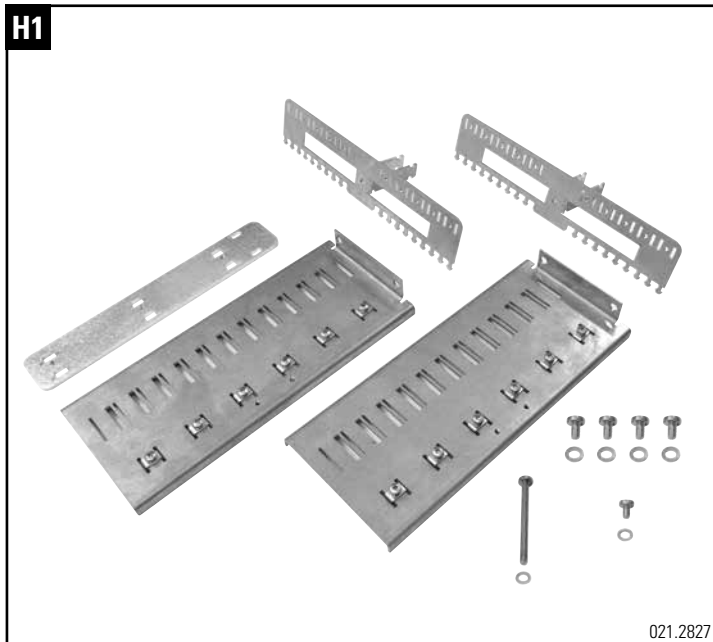
**Stammkabel: Einblaskabel / Main cable: Blow-in cable**

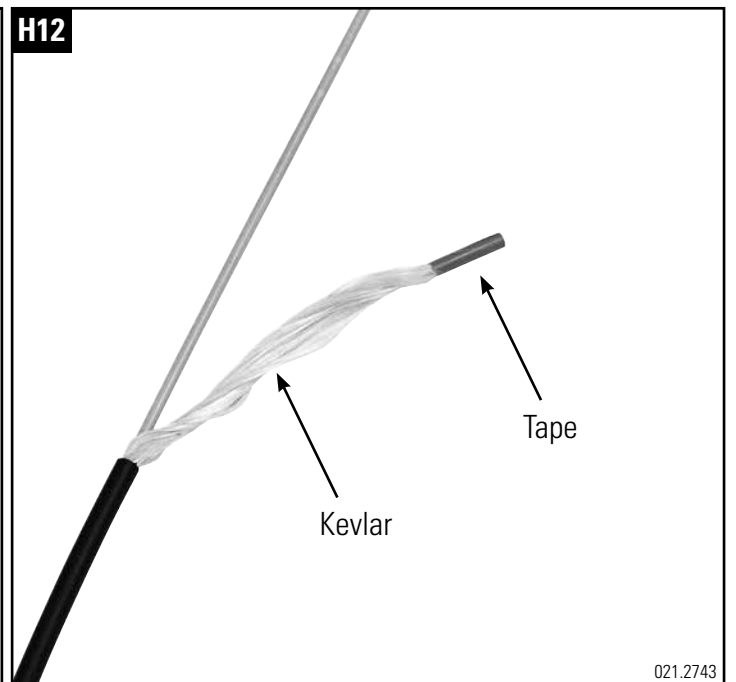
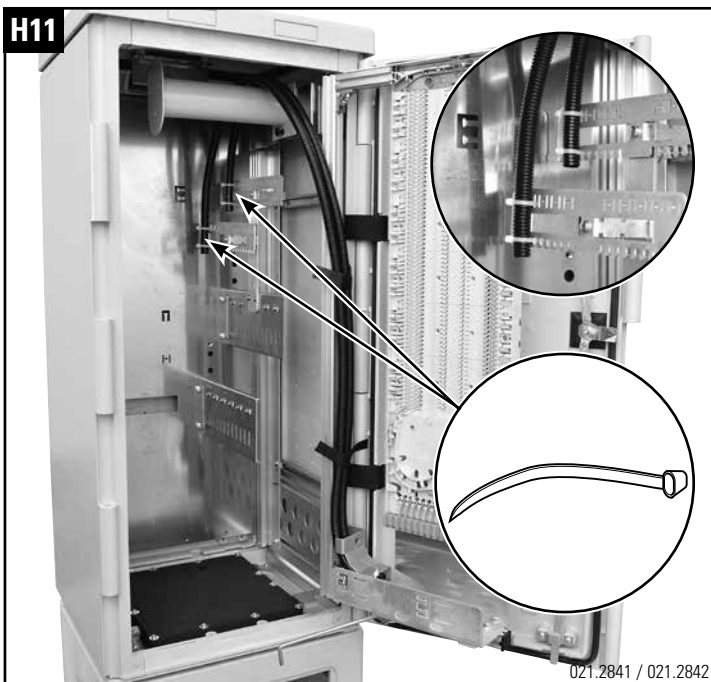
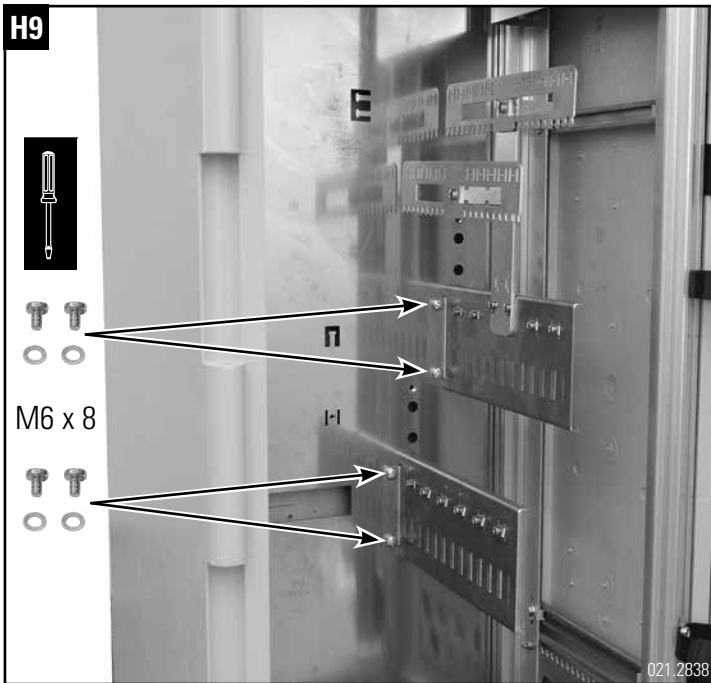
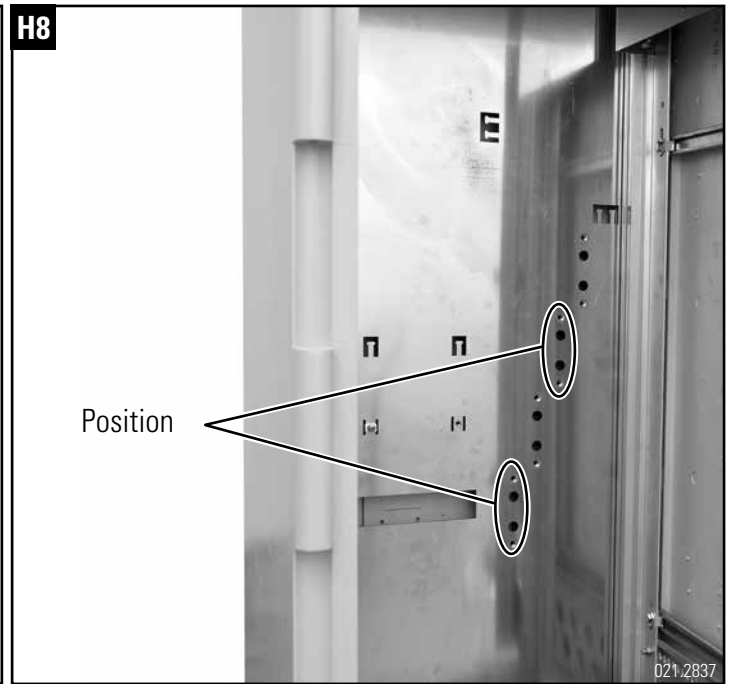
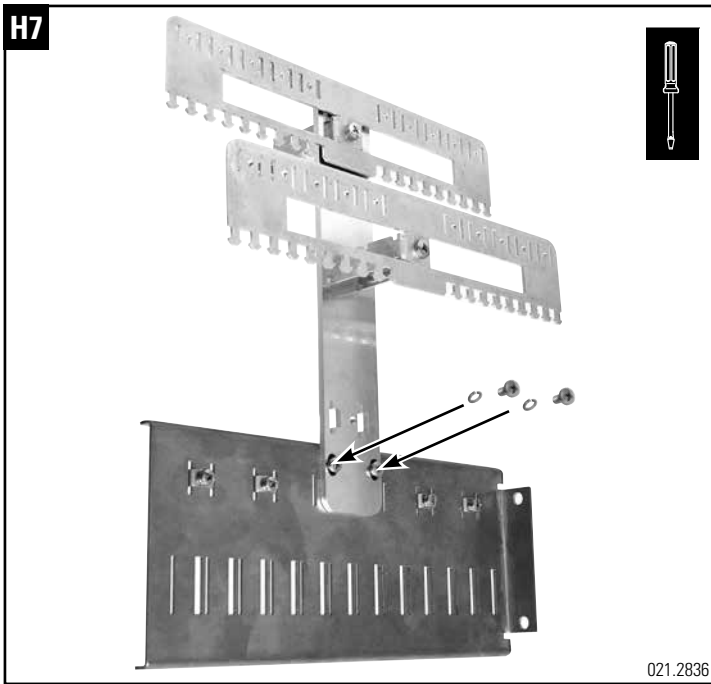


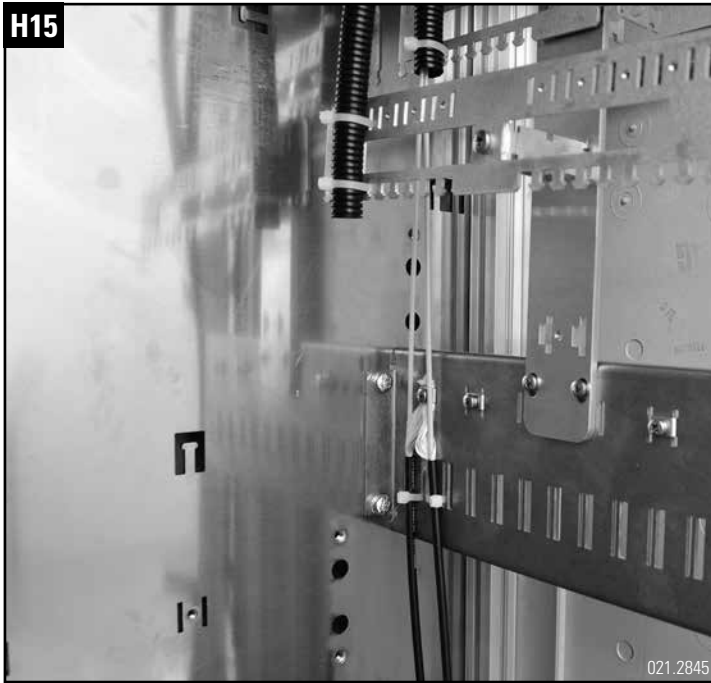
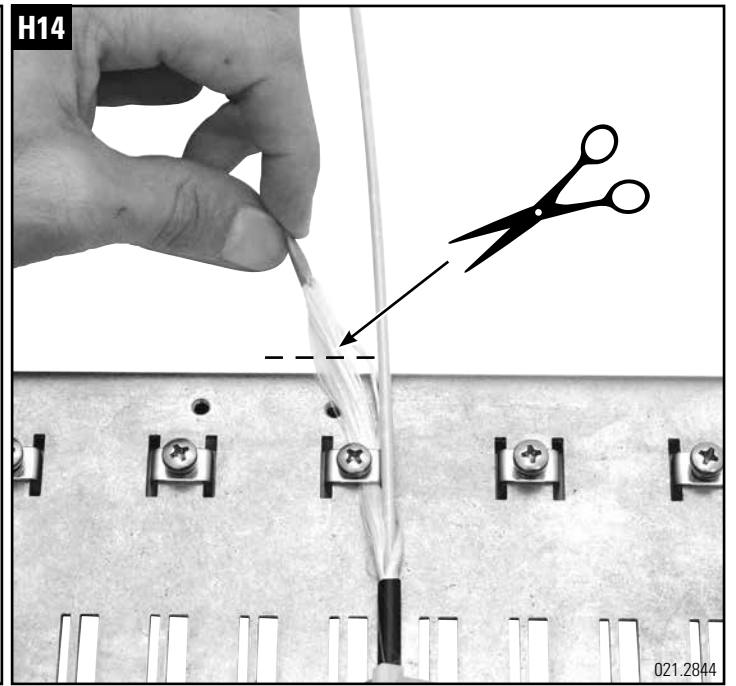
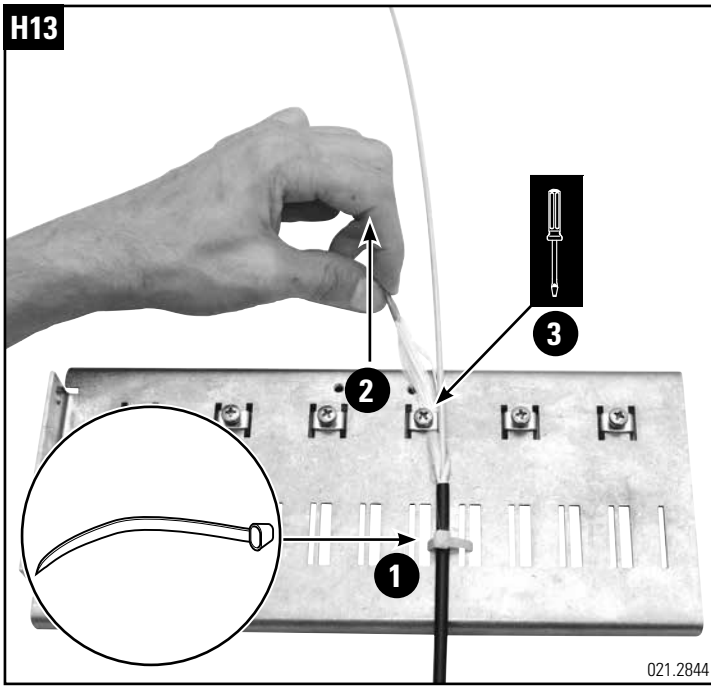
**Montage SCM Turm / Installation SCM Tower**

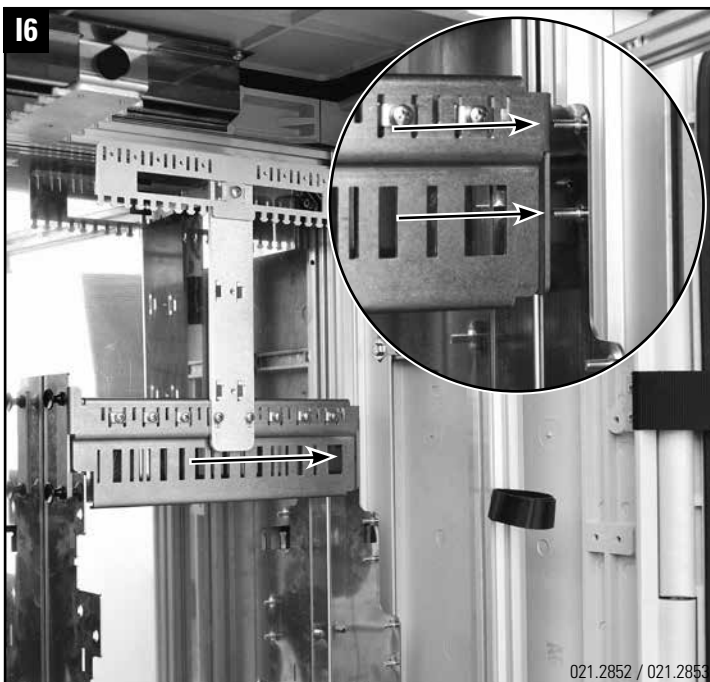
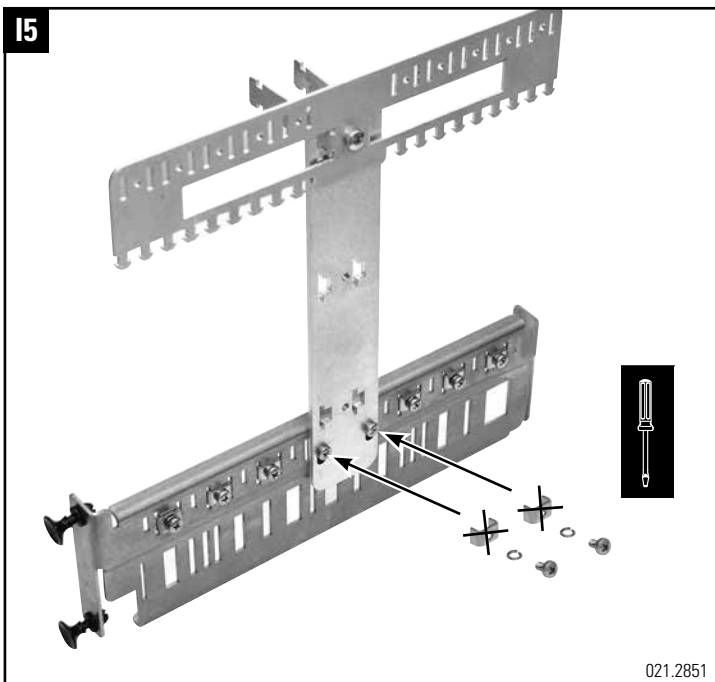
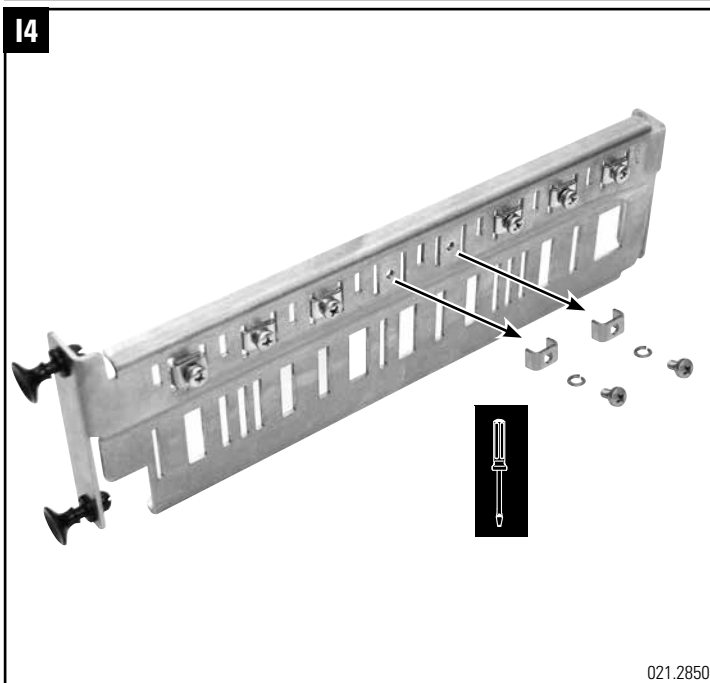
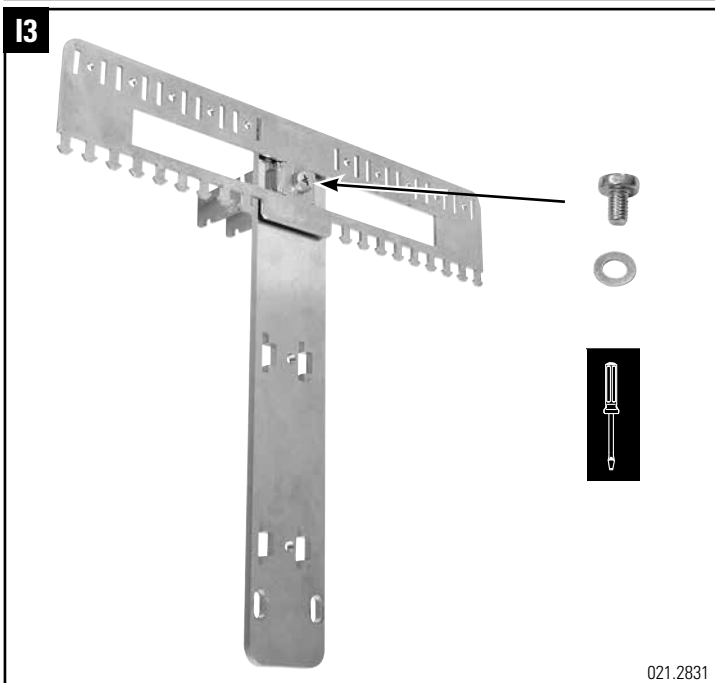
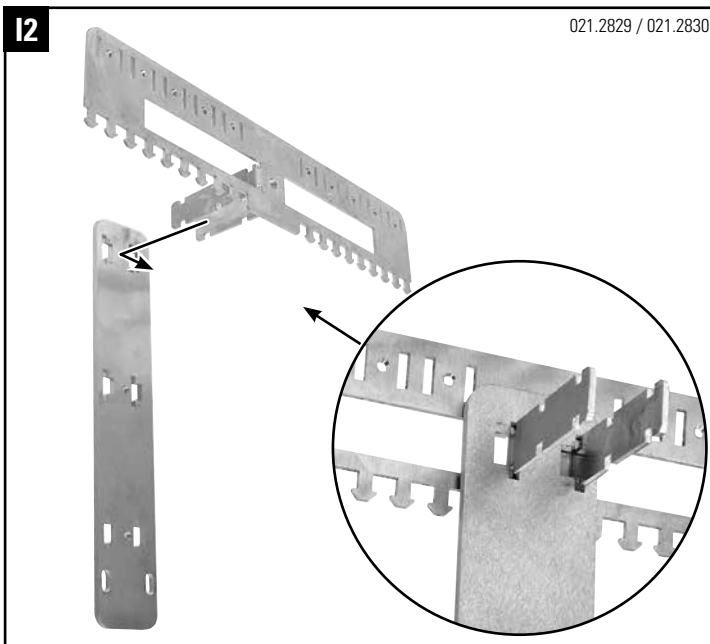
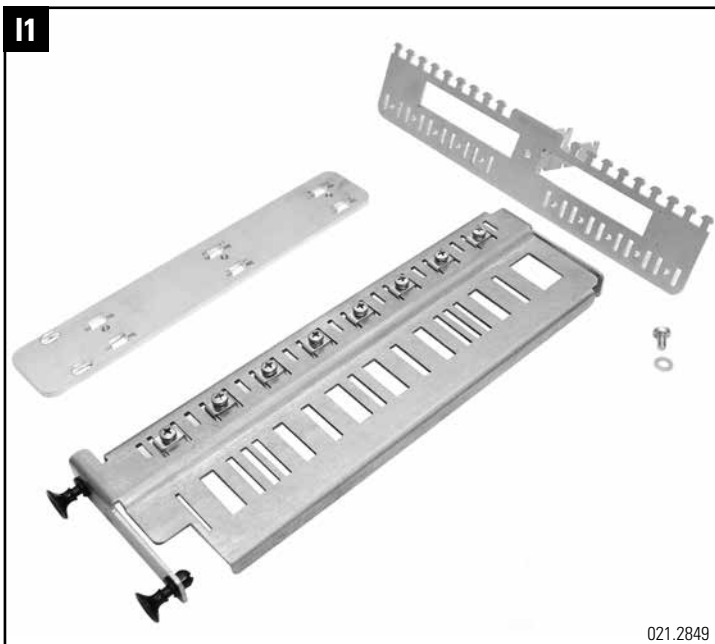


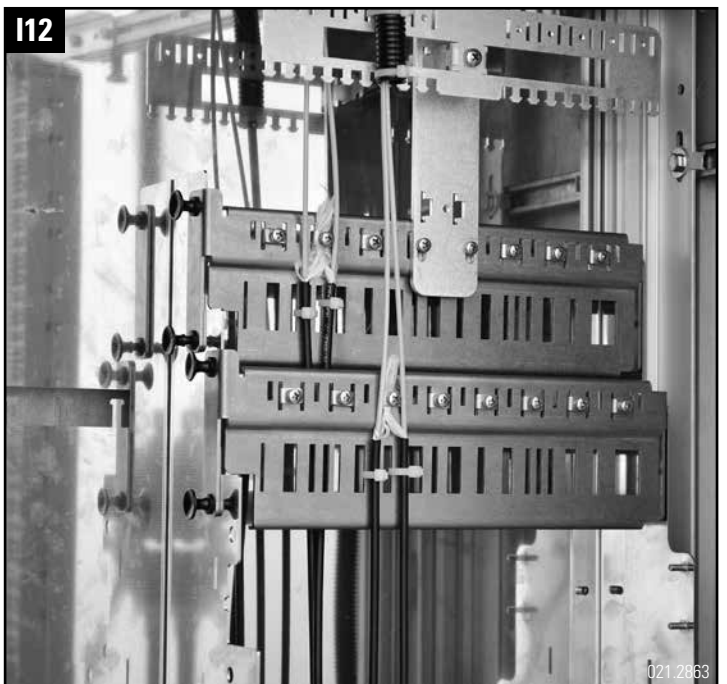
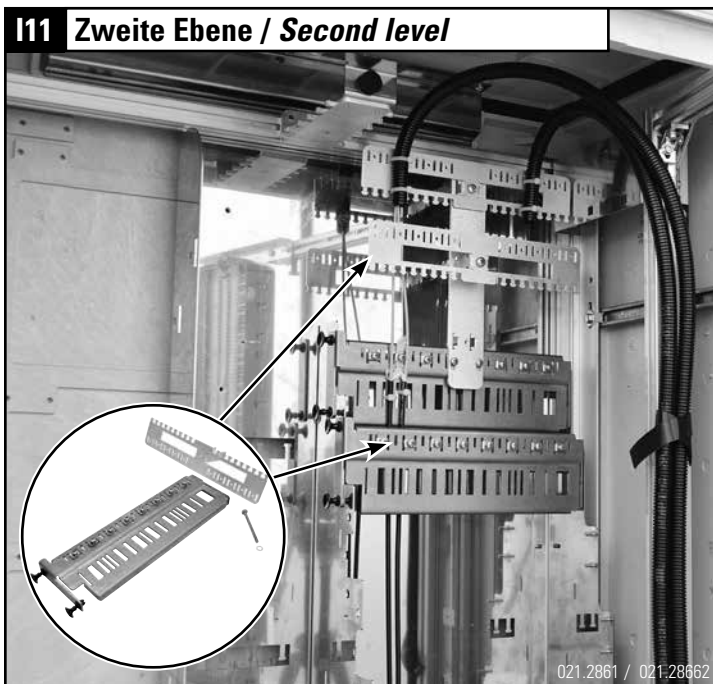
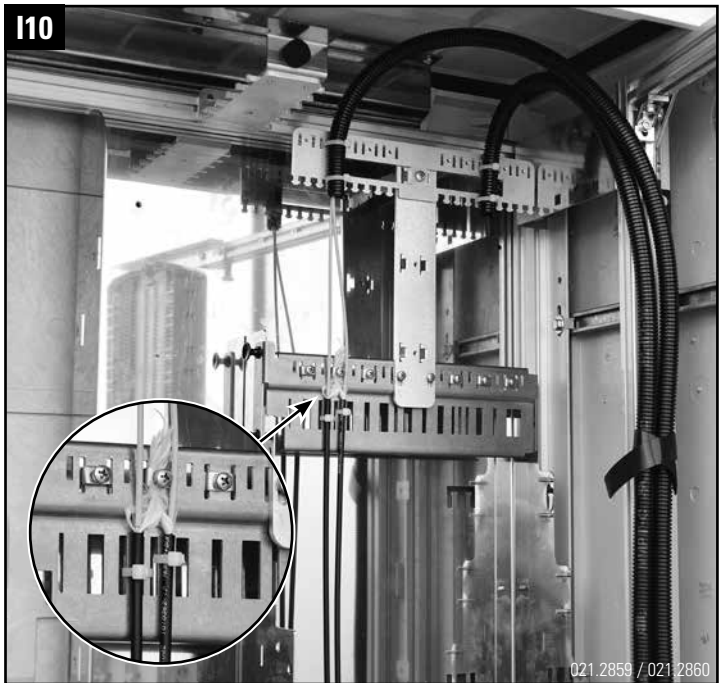
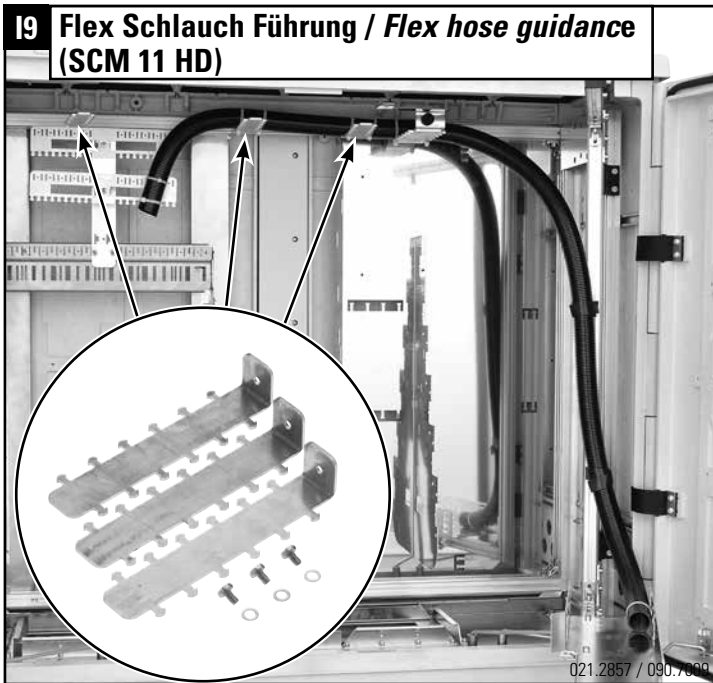
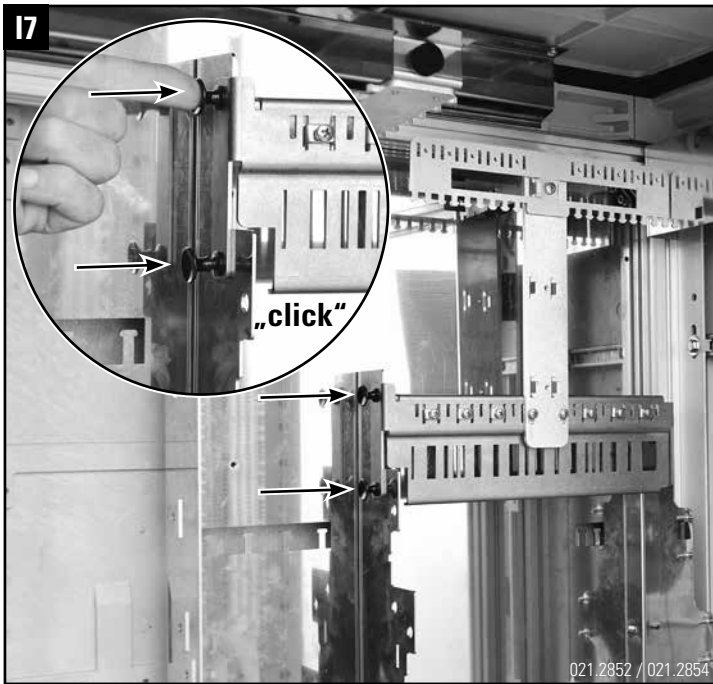
SCM 4 HD: Abgehende Kabel: Bündeladerkabel / *Outgoing cables: Loose tube cables*





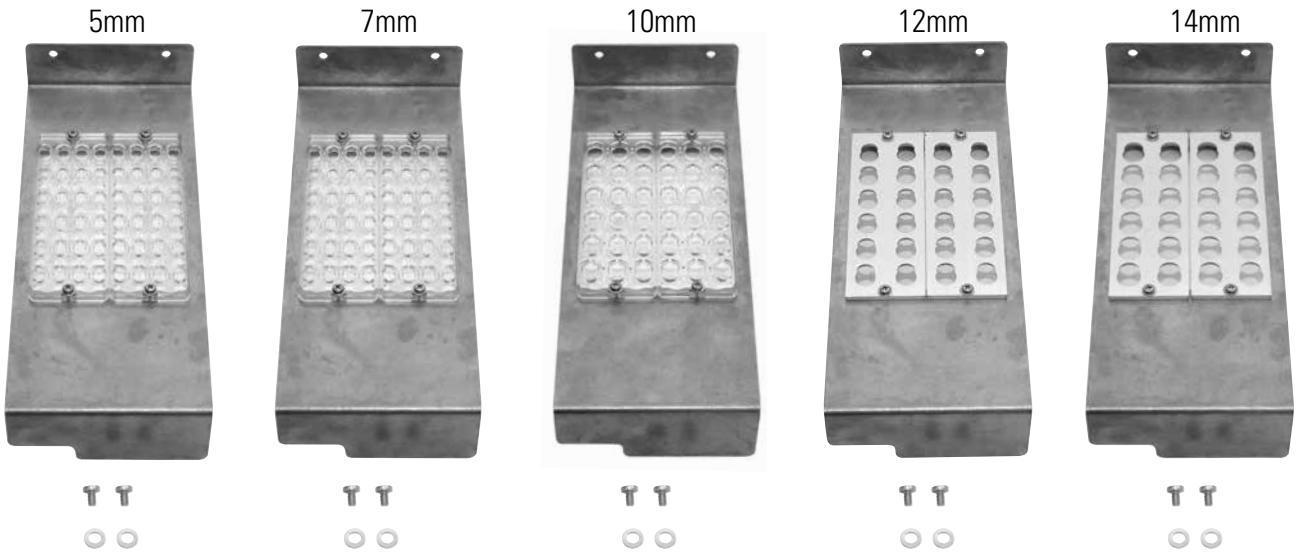






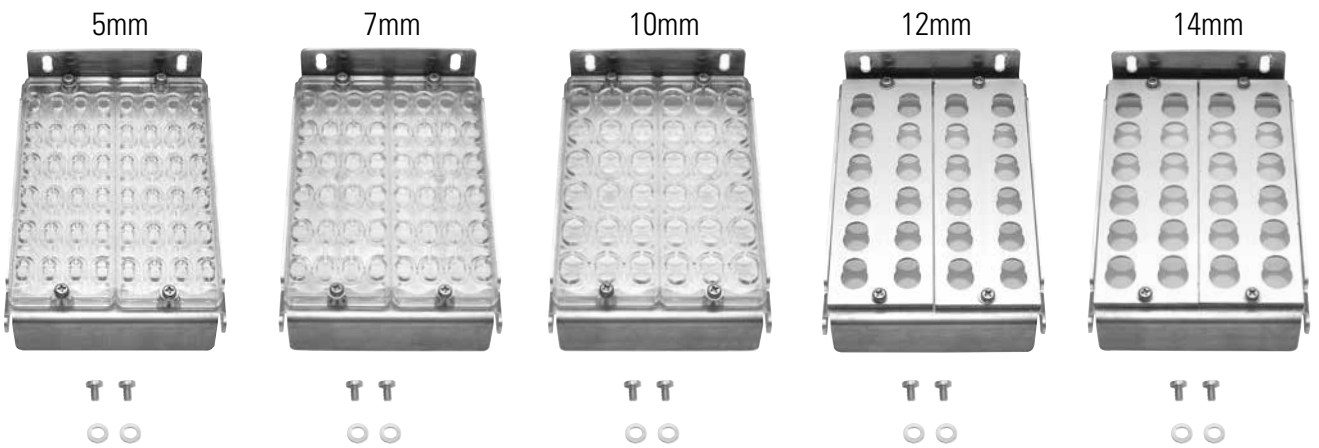
**Blow-in Anwendungen / Blow-in applications**

**J1 SCM 4 HD: Blow-in Zugentlastung / Strain relief**

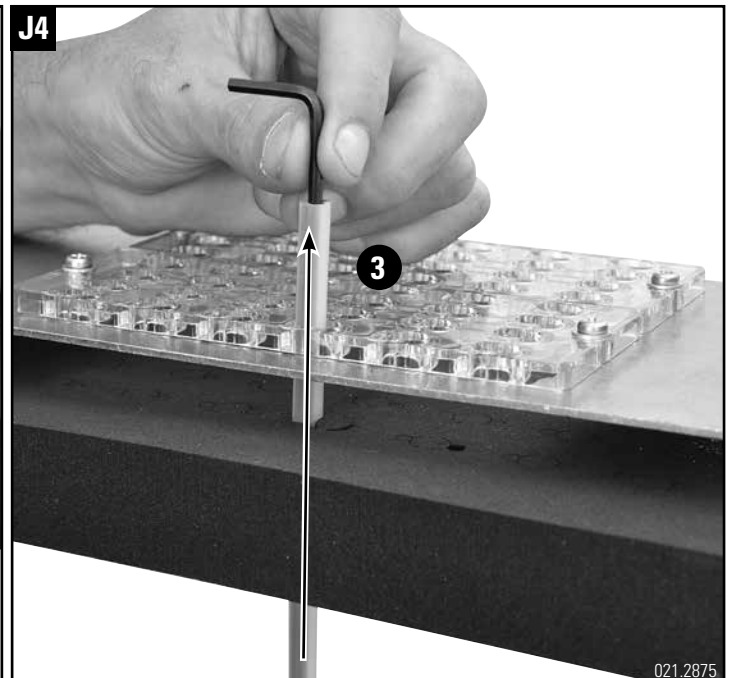
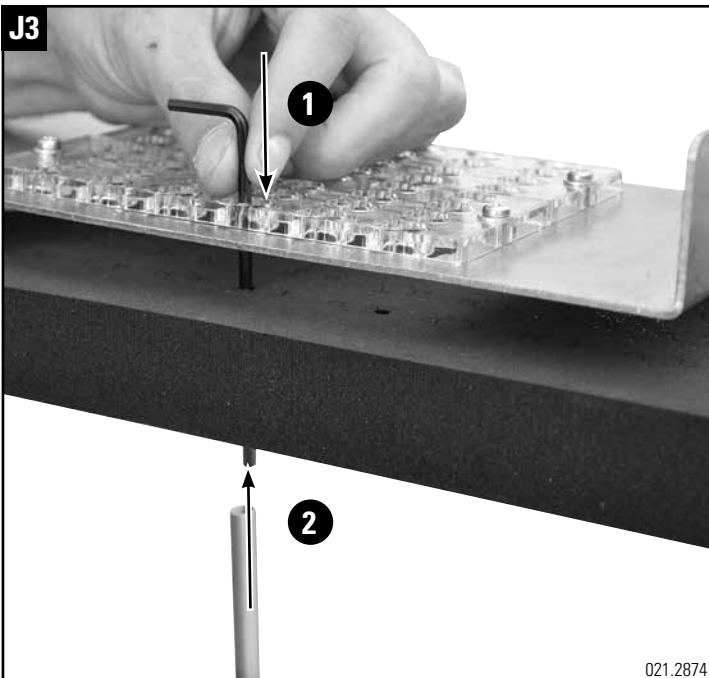


021.2864 / 021.2865 / 021.2866 / 021.2867

**J2 SCM 8 / 11 / KVz82 HD: Blow-in Zugentlastung / Strain relief**

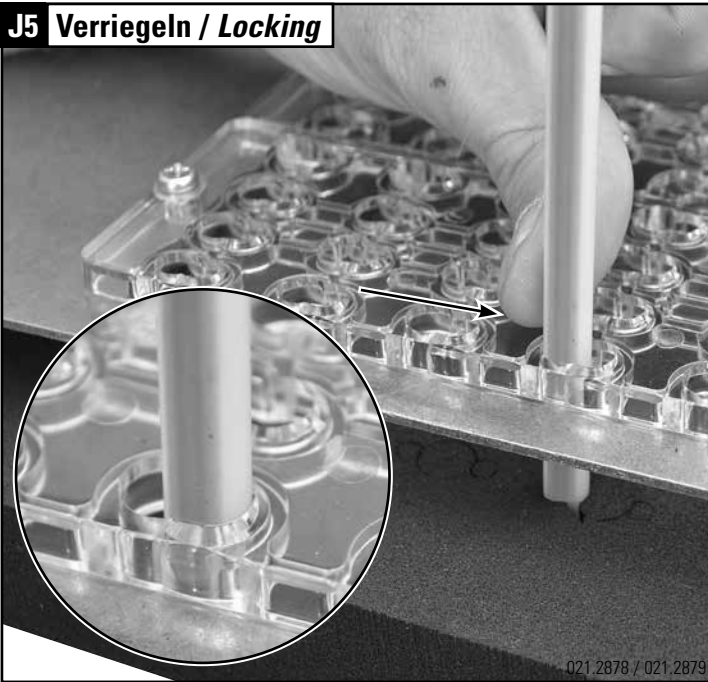


021.2886 / 021.2889 / 021.2890 / 021.2891





**J5 Verriegeln / Locking**



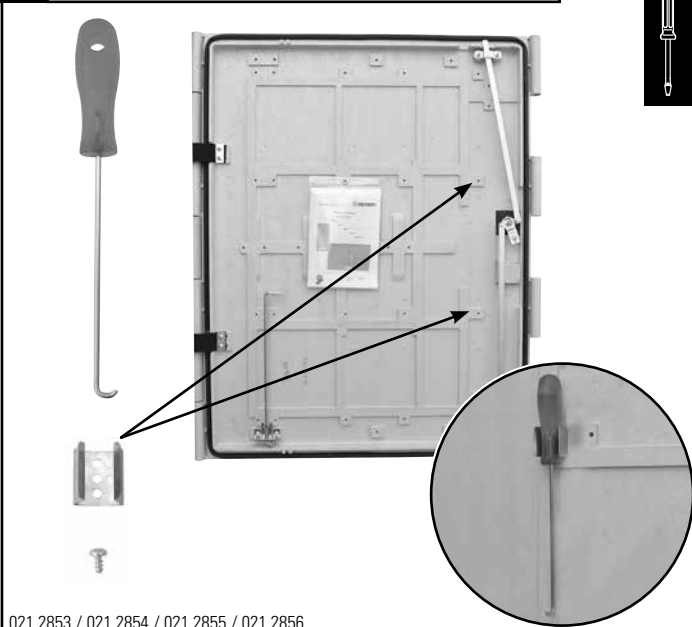
021.2878 / 021.2879

**J6 Entriegeln / Unlocking**



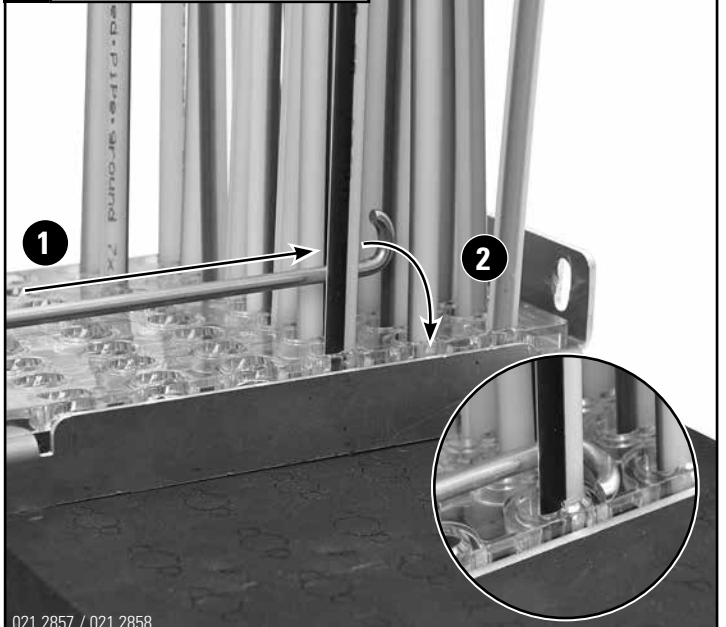
021.2879

**J7 Montagewerkzeug / Installation tool**



021.2853 / 021.2854 / 021.2855 / 021.2856

**J8 Entriegeln / Unlocking**



021.2857 / 021.2858

**J9**



021.2858 / 021.2859

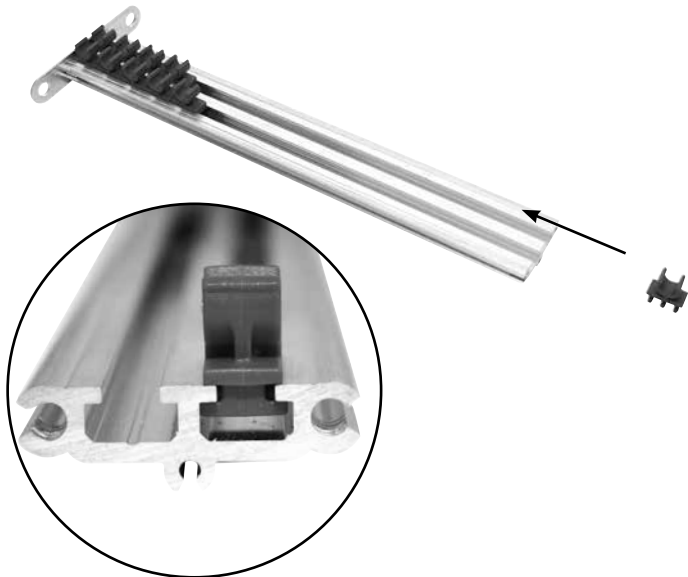
**J10 Verriegeln / Locking**



021.2860 / 021.2861

# SCM 4 HD: Blow-in Röhren Management / Microduct management

**K1**

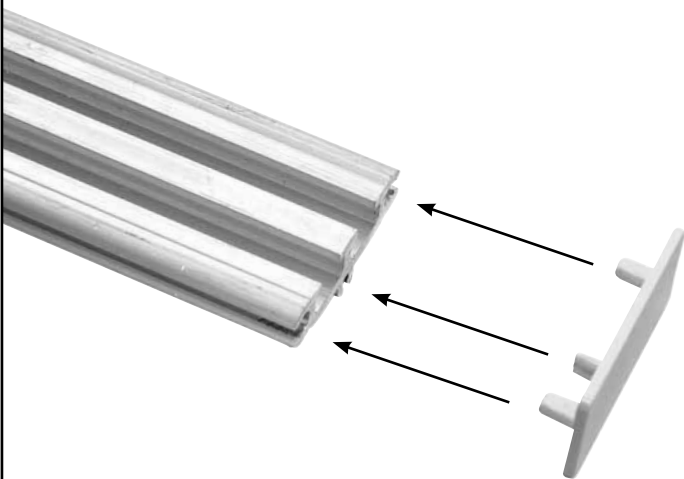


**Bestückung (eine Schiene)**  
**Assembly (one bracket)**

5 mm	Röhren / Microducts	12 clips
7 mm	Röhren / Microducts	12 clips
10 mm	Röhren / Microducts	9 clips
12 mm	Röhren / Microducts	6 clips
14 mm	Röhren / Microducts	6 clips

021.2869 / 021.2870

**K2**



021.2871

**K3**



021.2872

**K4**

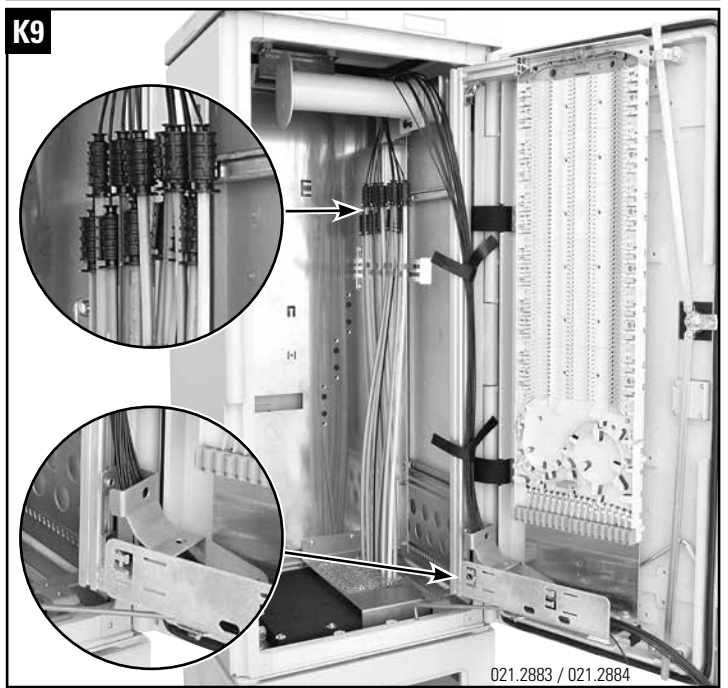
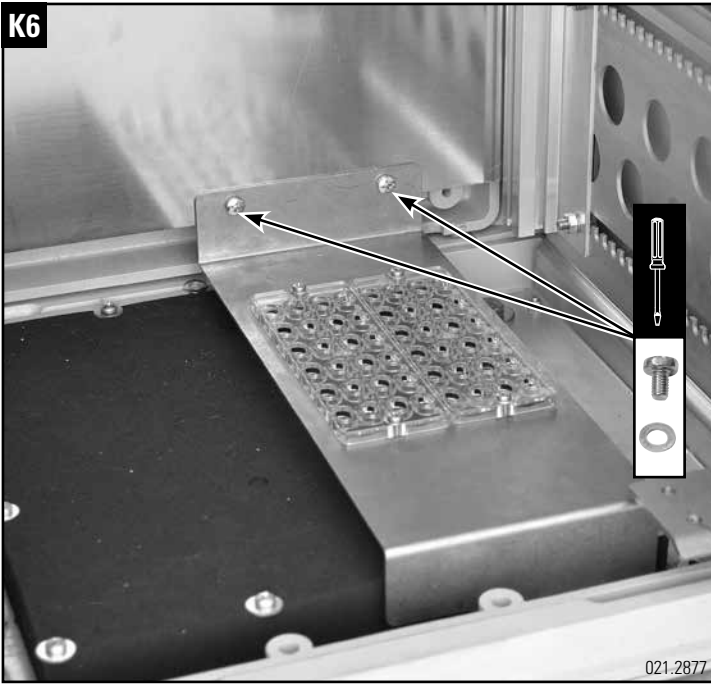


021.2873

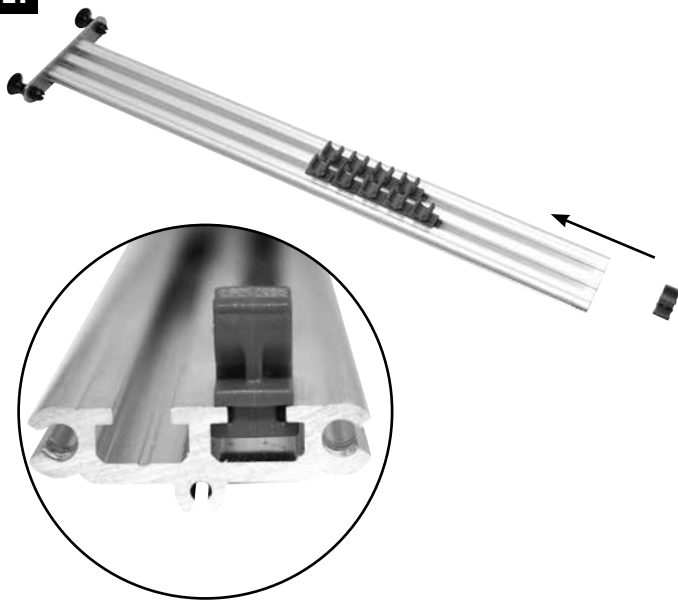
**K5**



021.2840 / 021.2876



**L1**



**Bestückung (eine Schiene) SCM 11 HD**

**Assembly (one bracket) SCM 11 HD**

5 mm	Röhrcchen / Microducts	24 clips
7 mm	Röhrcchen / Microducts	24 clips
10 mm	Röhrcchen / Microducts	18 clips
12 mm	Röhrcchen / Microducts	12 clips
14 mm	Röhrcchen / Microducts	12 clips

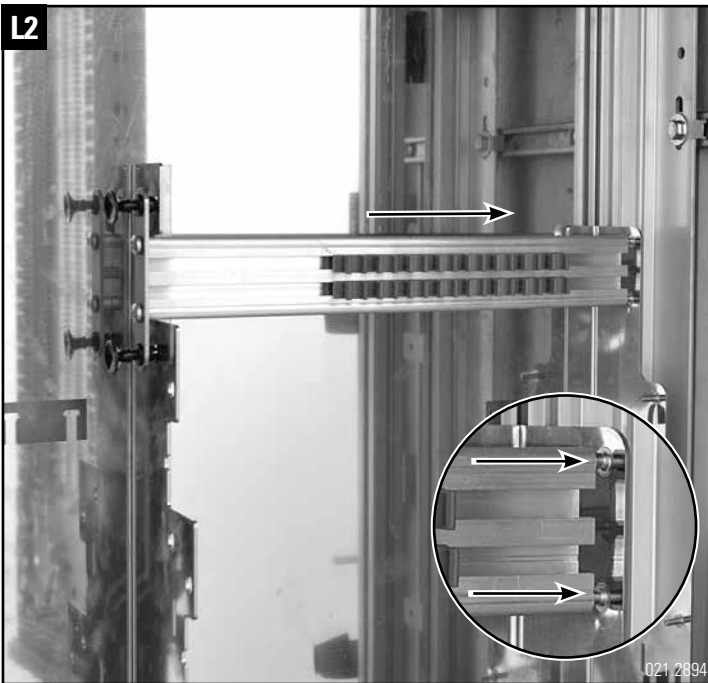
**Bestückung (eine Schiene) SCM 8 / KvZ 82 HD**

**Assembly (one bracket) SCM 8 / KvZ 82 HD**

5 mm	Röhrcchen / Microducts	16 clips
7 mm	Röhrcchen / Microducts	16 clips
10 mm	Röhrcchen / Microducts	12 clips
12 mm	Röhrcchen / Microducts	8 clips
14 mm	Röhrcchen / Microducts	8 clips

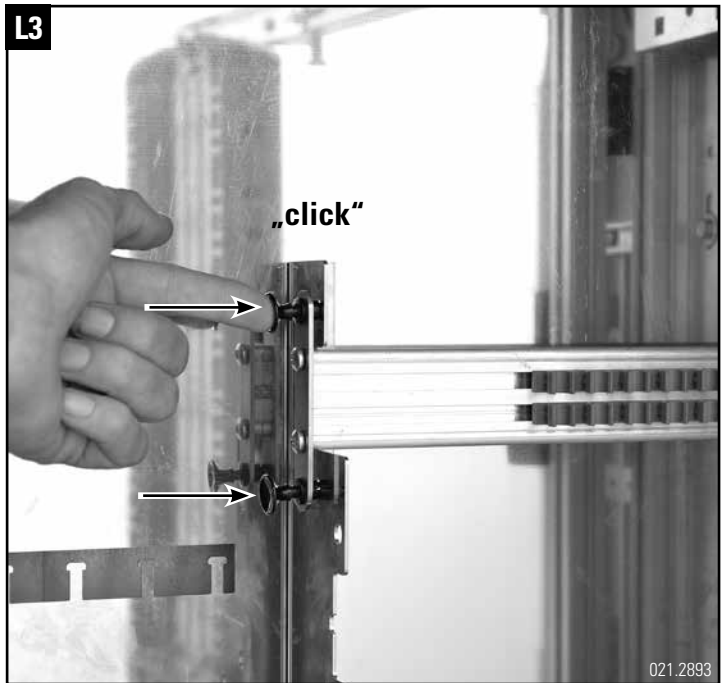
021.2870 / 021.2892

**L2**



021.2894

**L3**



021.2893

**L4**

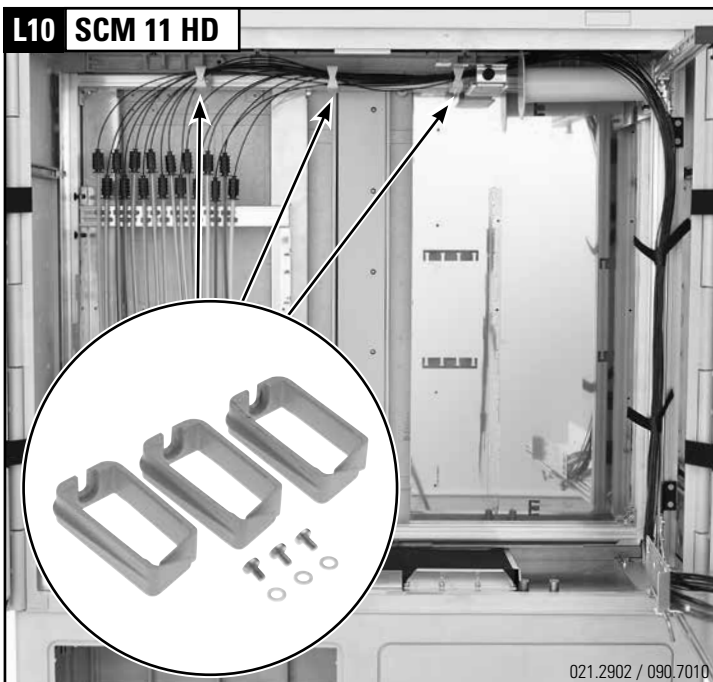
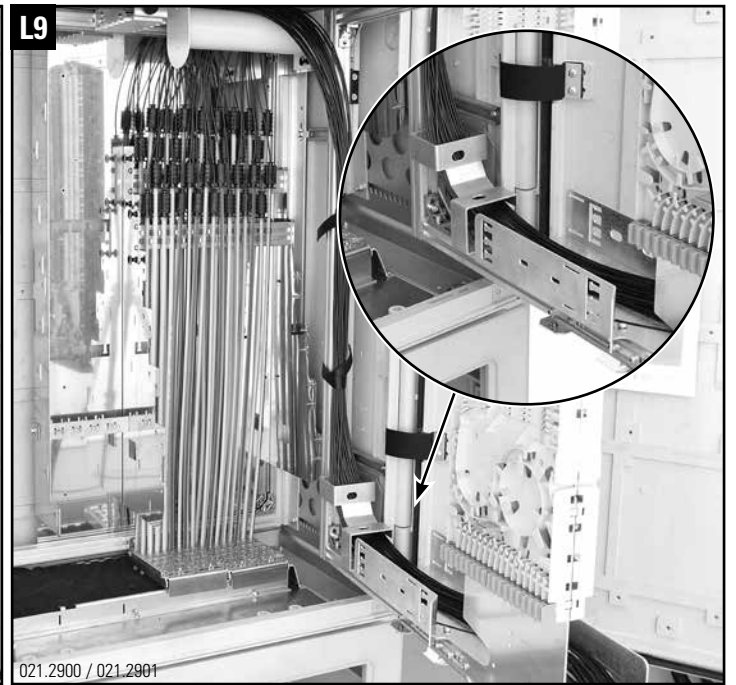
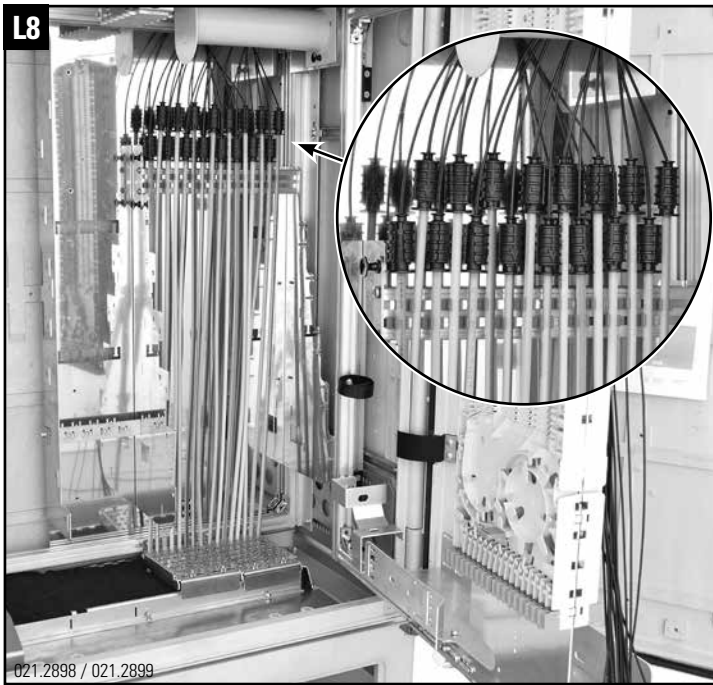
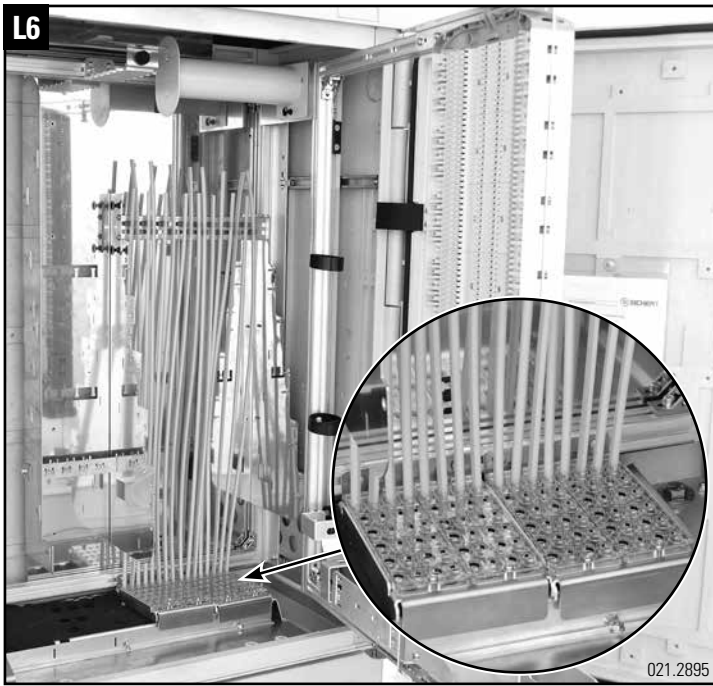


021.2840 / 021.2876

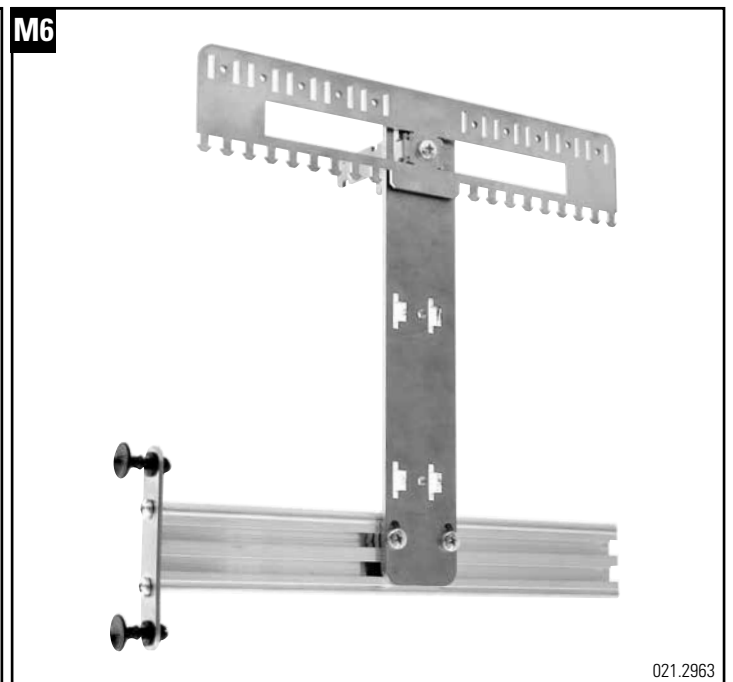
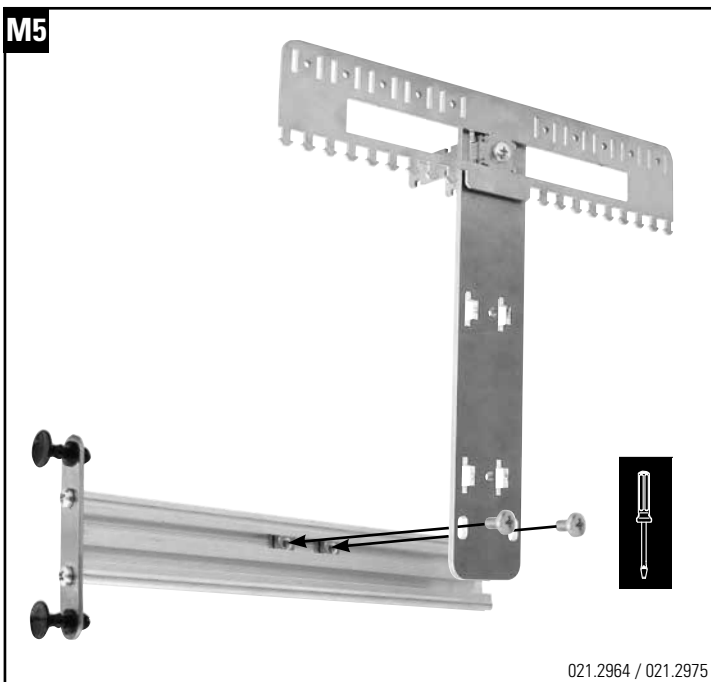
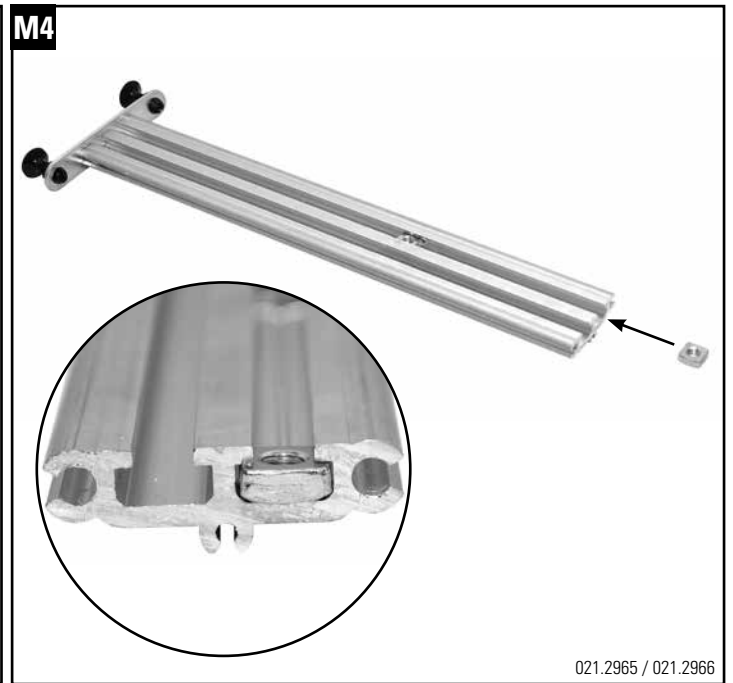
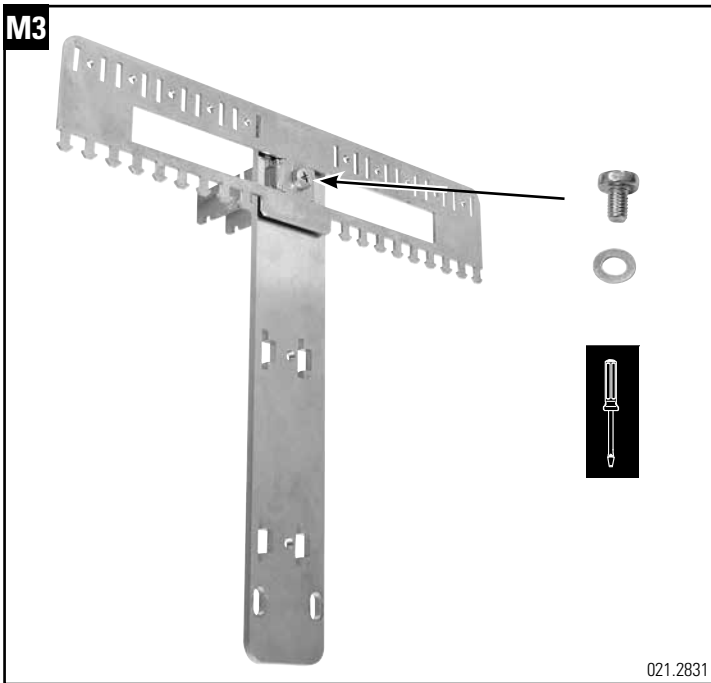
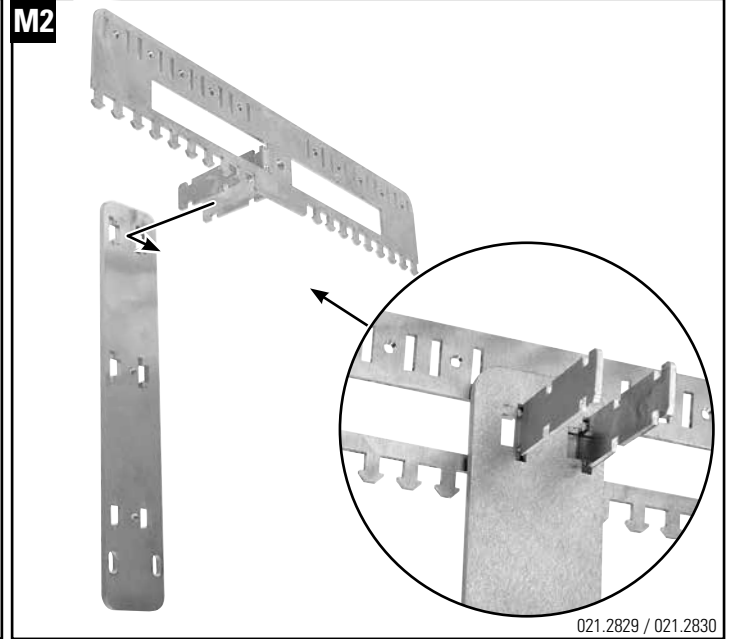
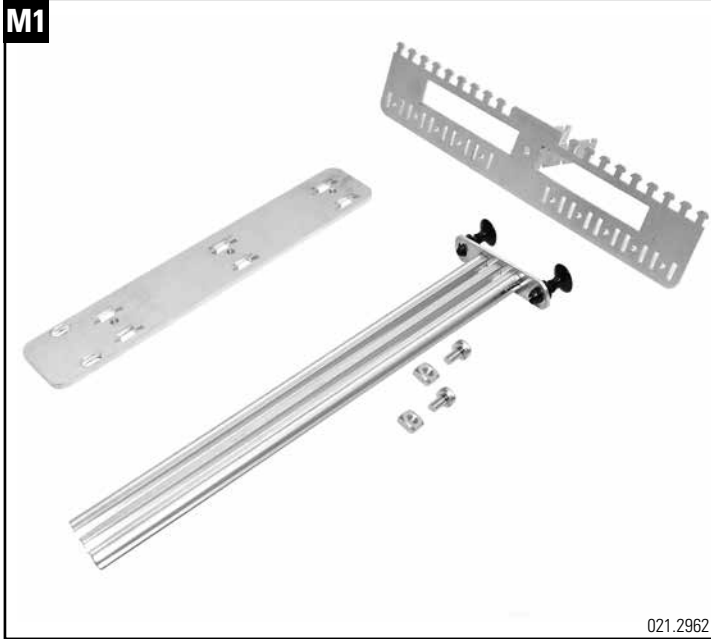
**L5**

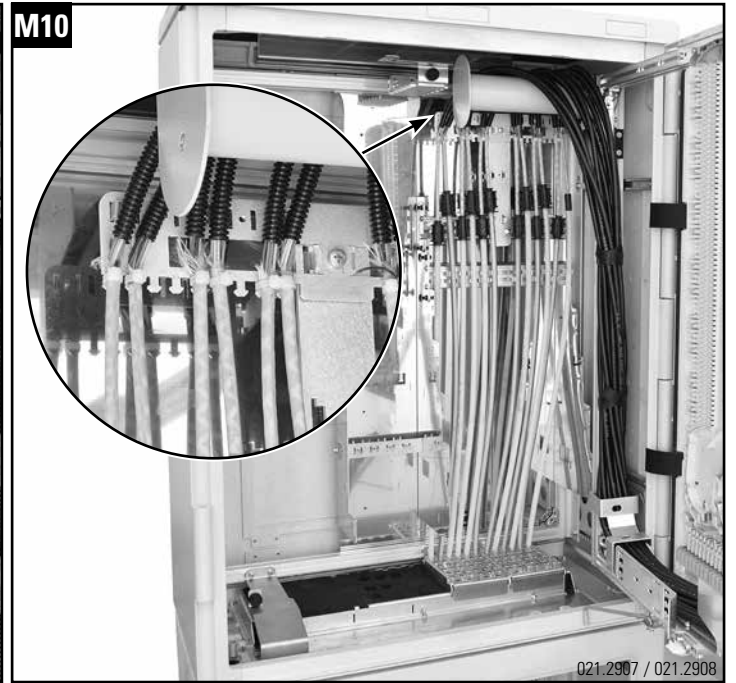
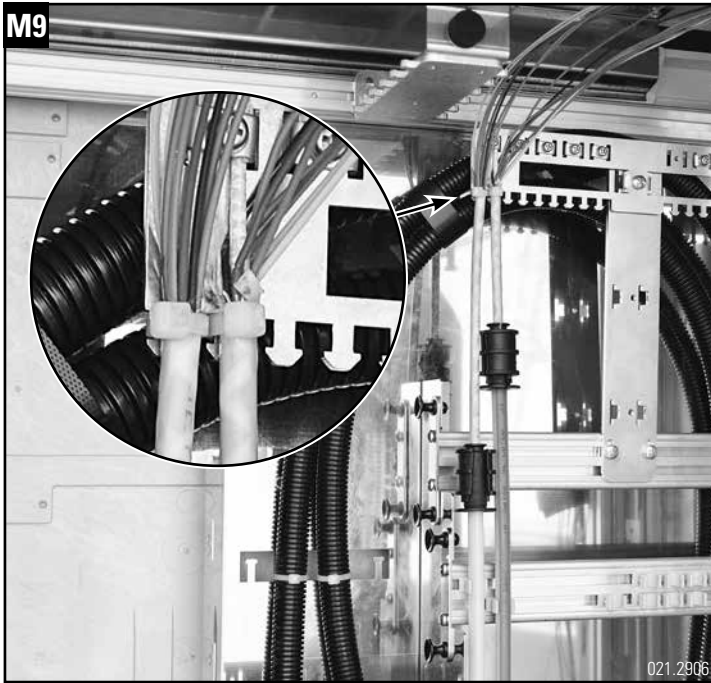
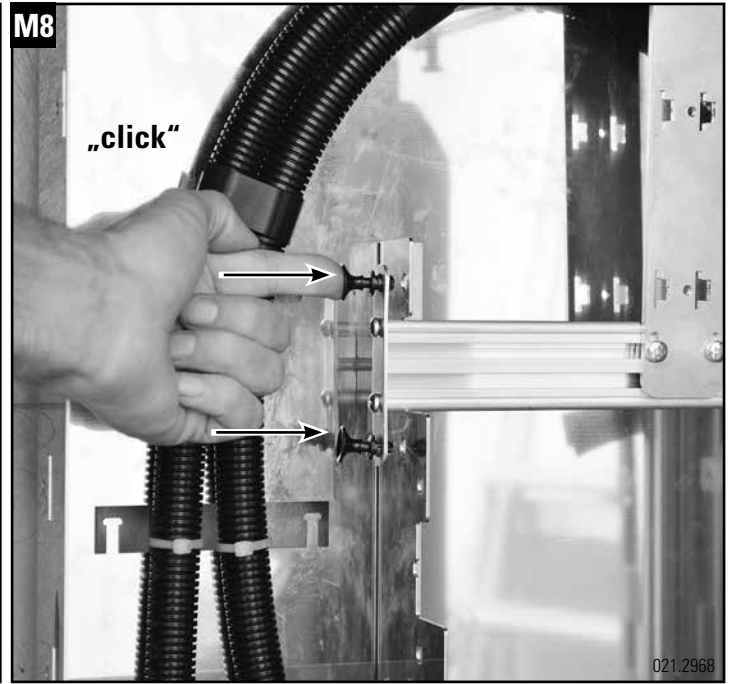
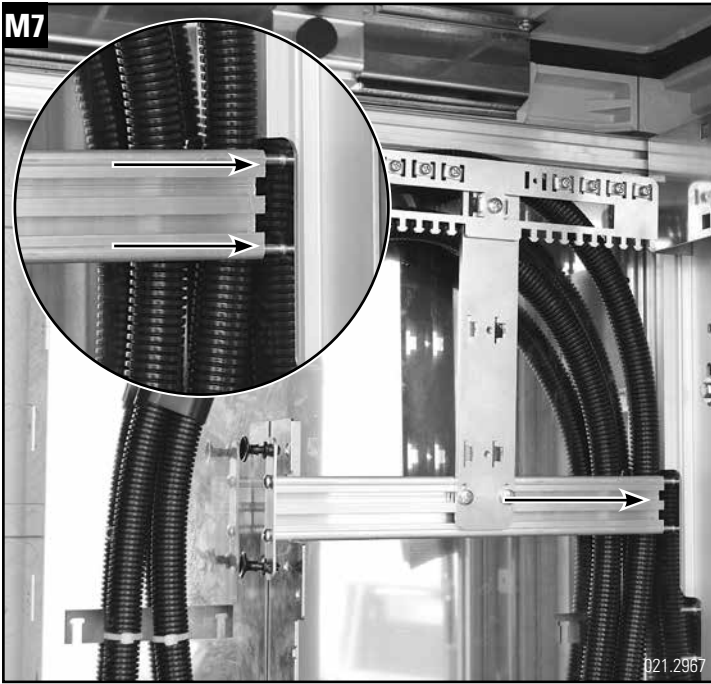


021.2885



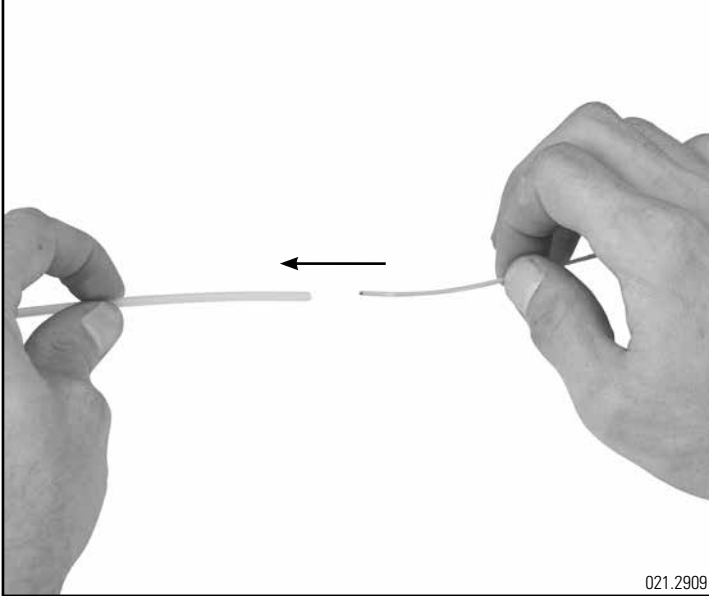
Transportrohre für Einblaskabel / *Transportation tubes for blow-in cables*



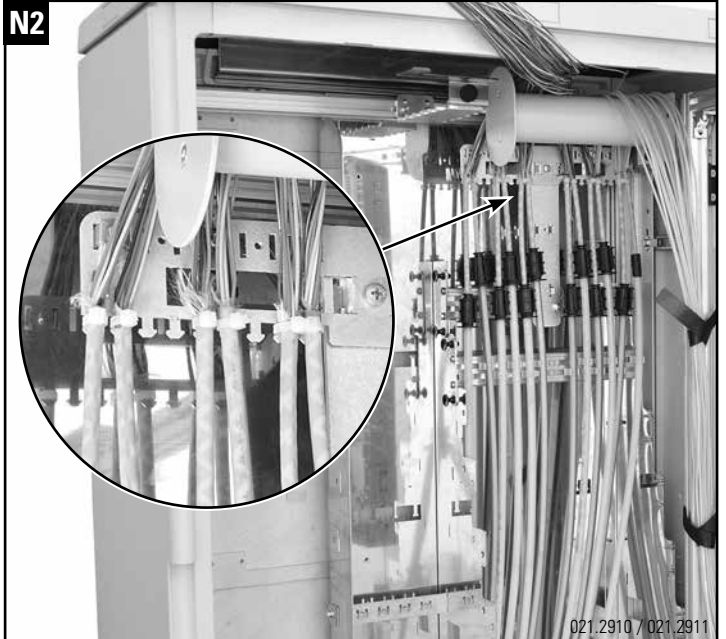


**Transportset 3mm / Transportation set 3mm**

**N1 Mini-Bündeladern / Mini loose tubes**

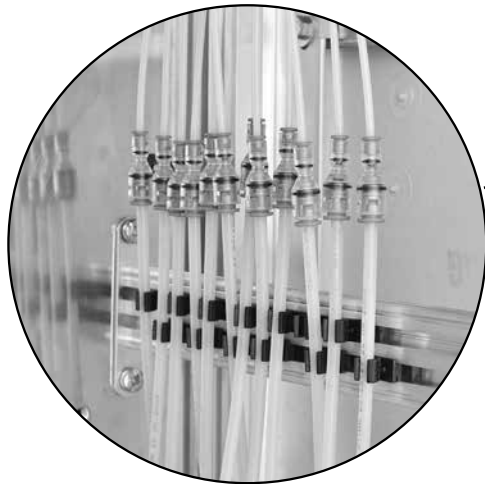


**N2**



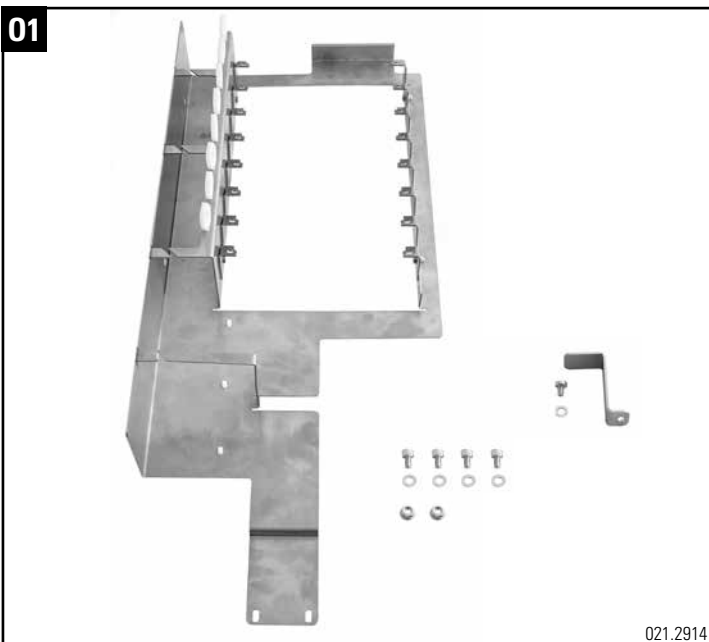
**N1 Einblasfaser im 5mm Röhrchen / Blown fiber in 5mm microduct**

Verbinder 5/3mm / Connector 5/3mm  
Transportset 3mm / Transportation set 3mm

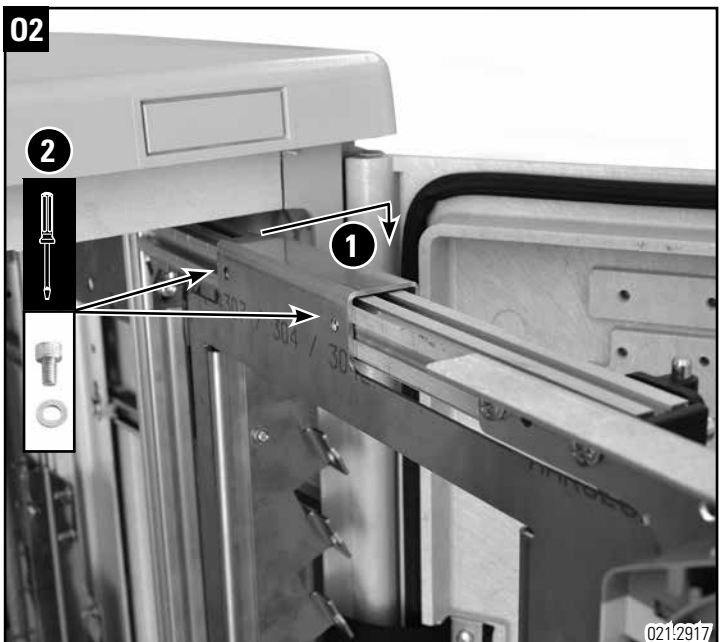


**SCM 8 / 11 HD: Patchfeld / Patch field**

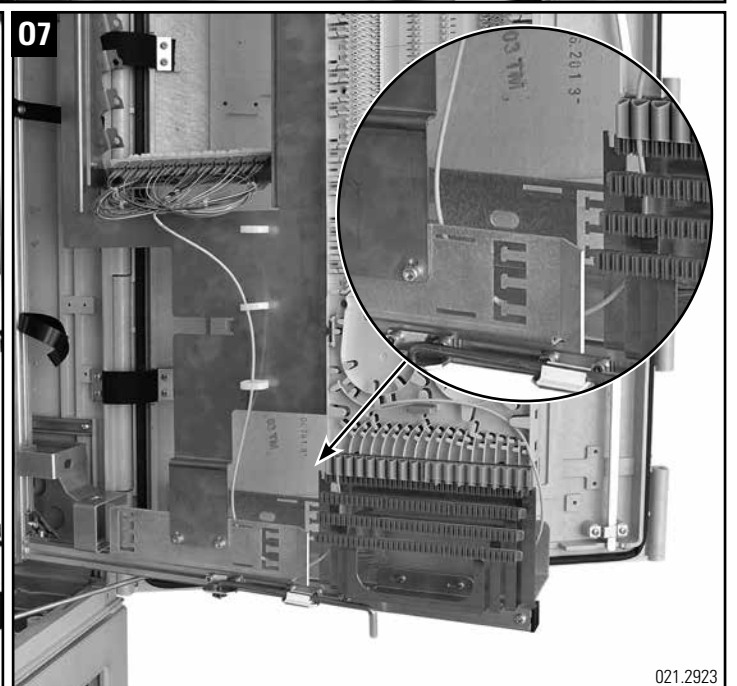
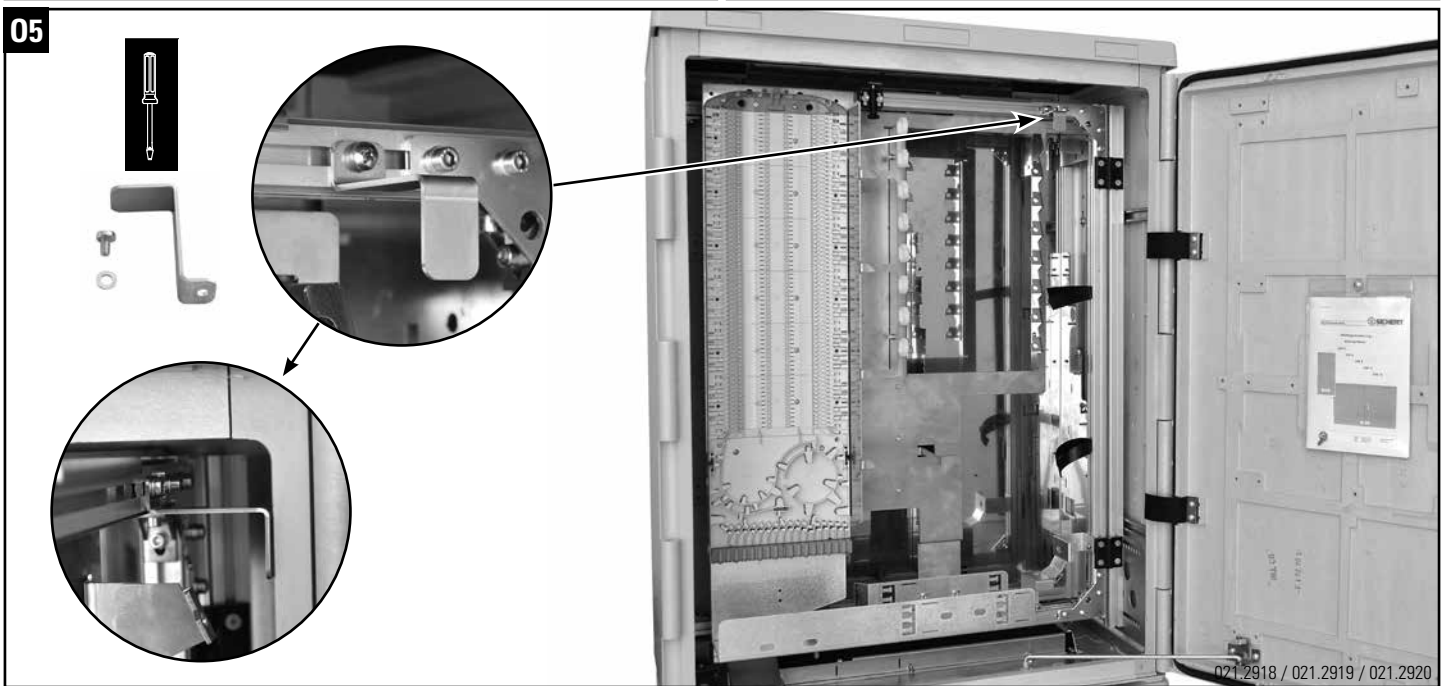
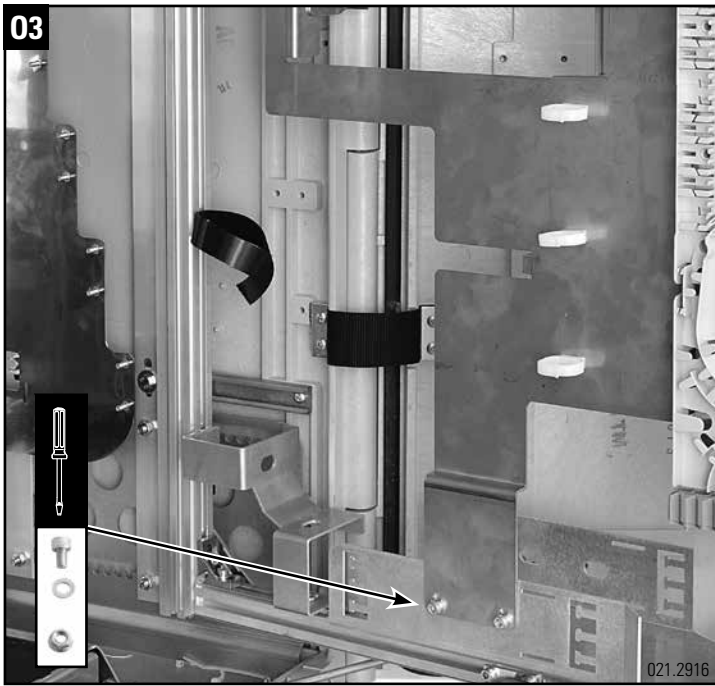
**01**

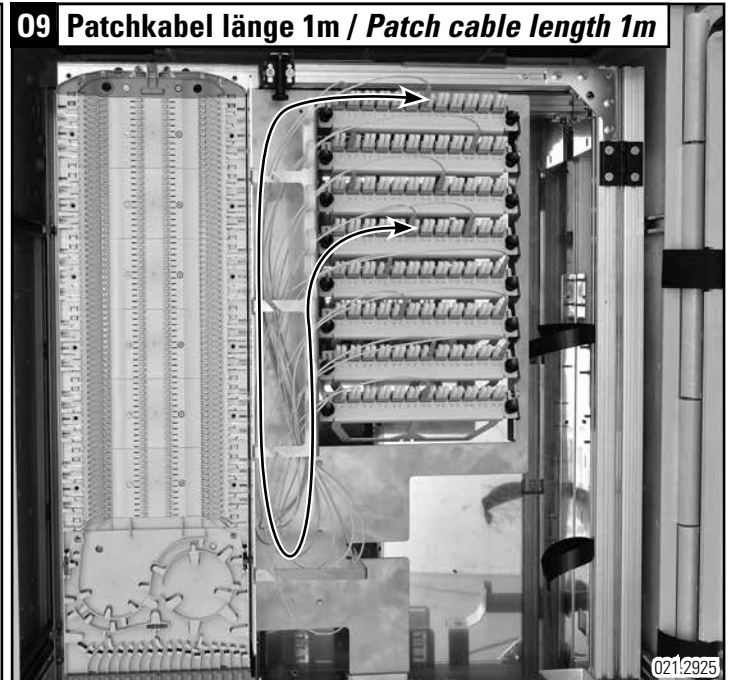
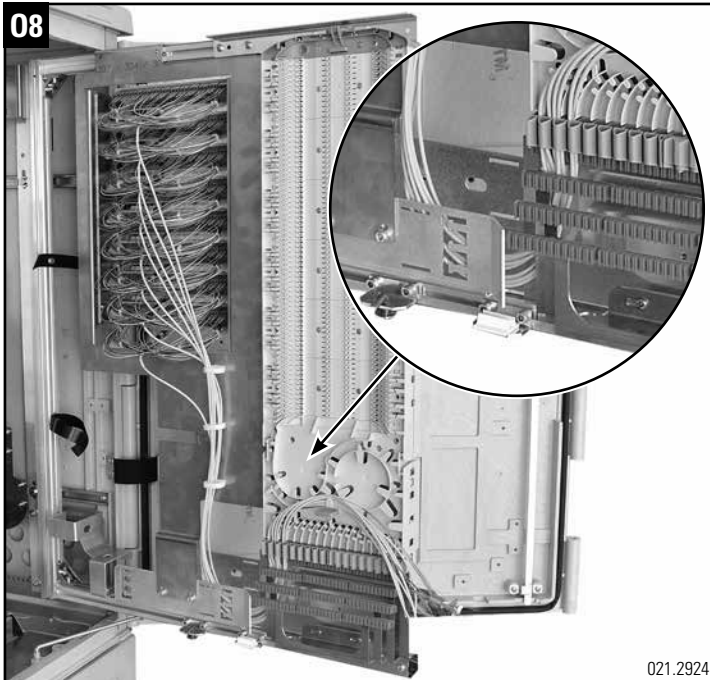


**02**







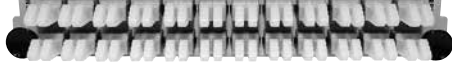






**Patch Einschübe / Patch insert**

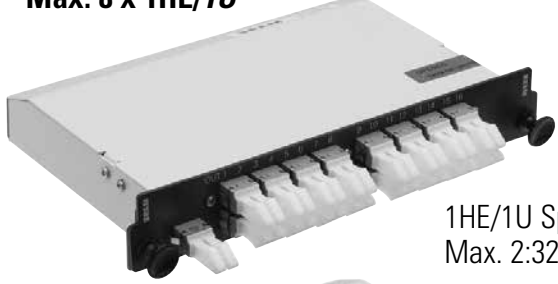

**Splitter & CWDM Einschübe / Splitter & CWDM insert**

**P1 Max. 8 x 1HE/1U**

-  12 x E-2000™ Compact
-  12 x LC Duplex
-  24 x LC Duplex
-  12 x SCRJ
-  24 x SC-Simplex

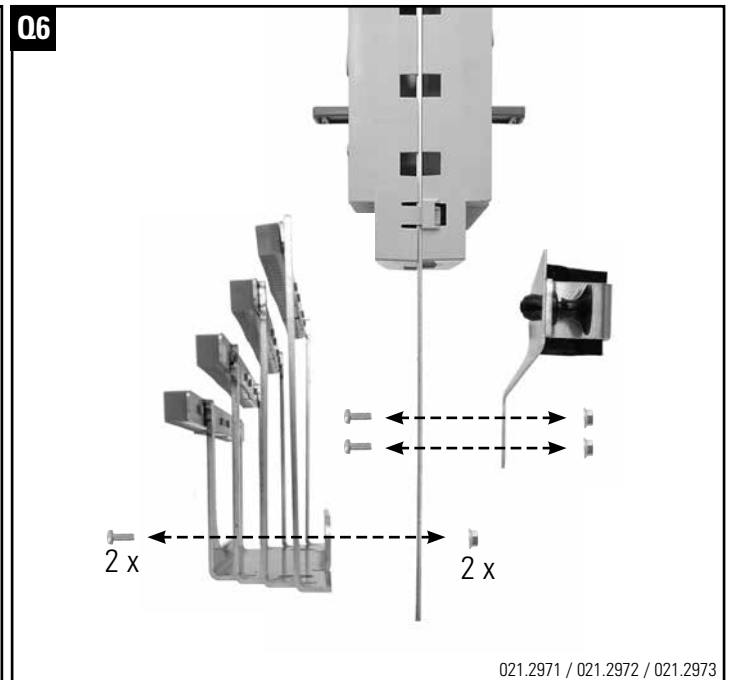
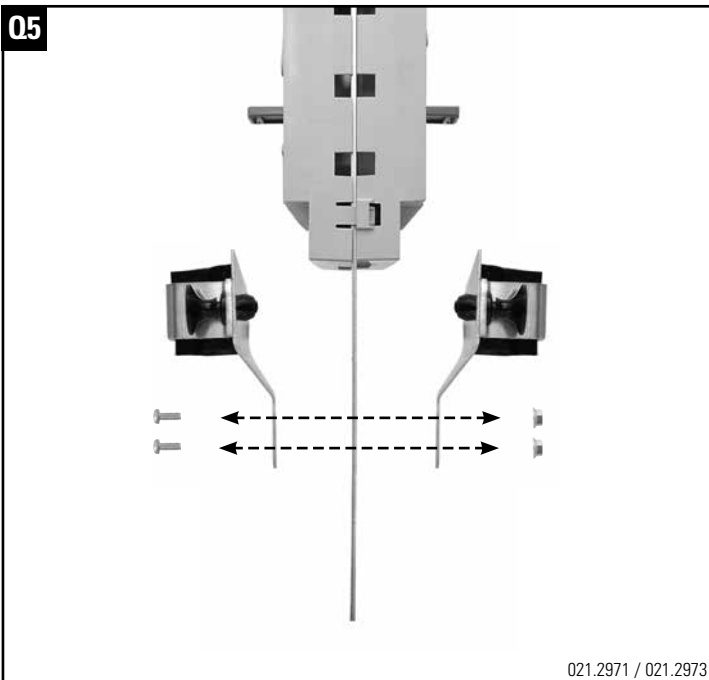
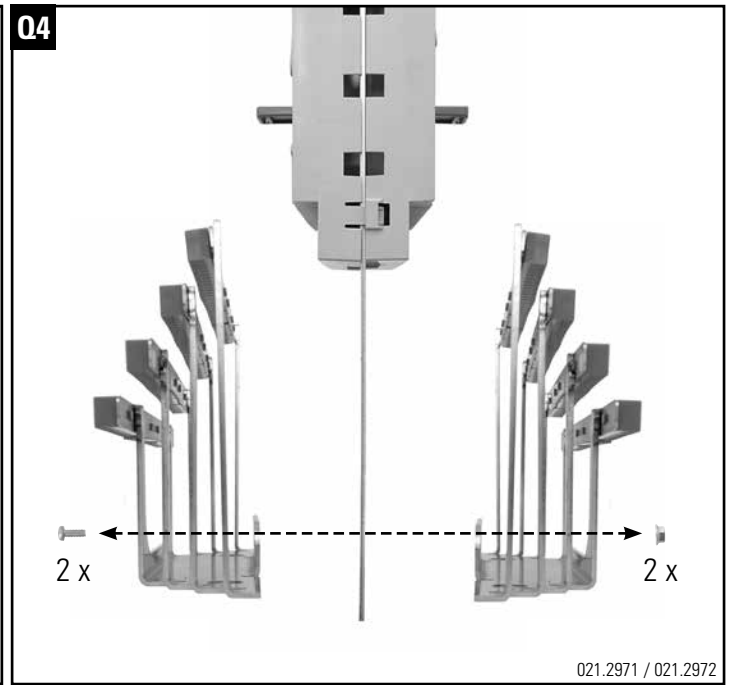
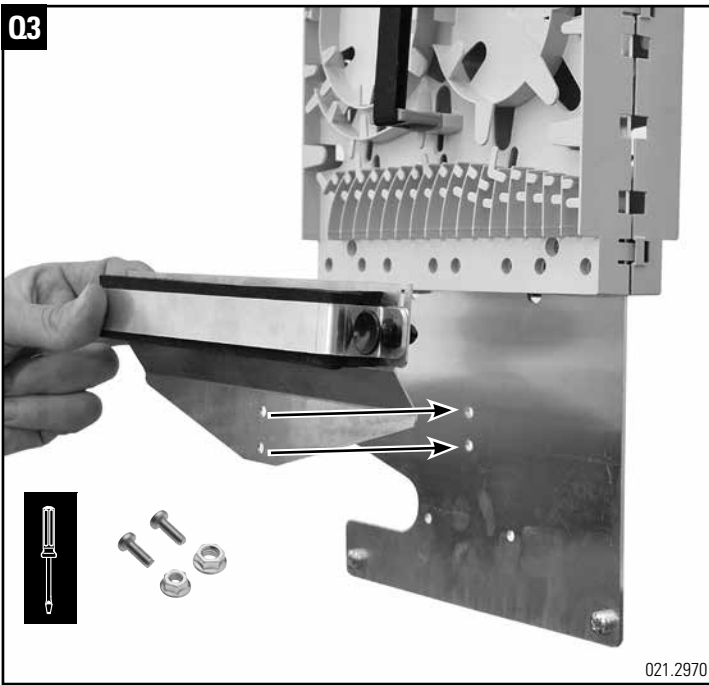
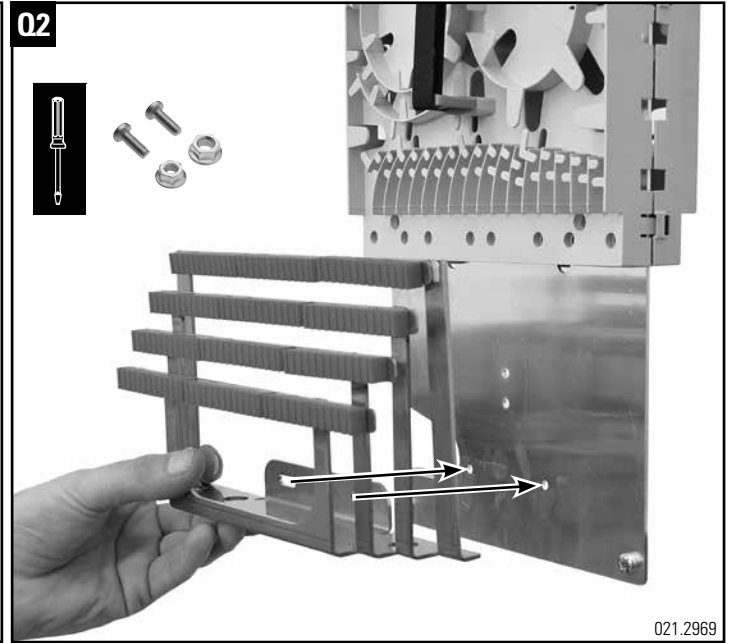
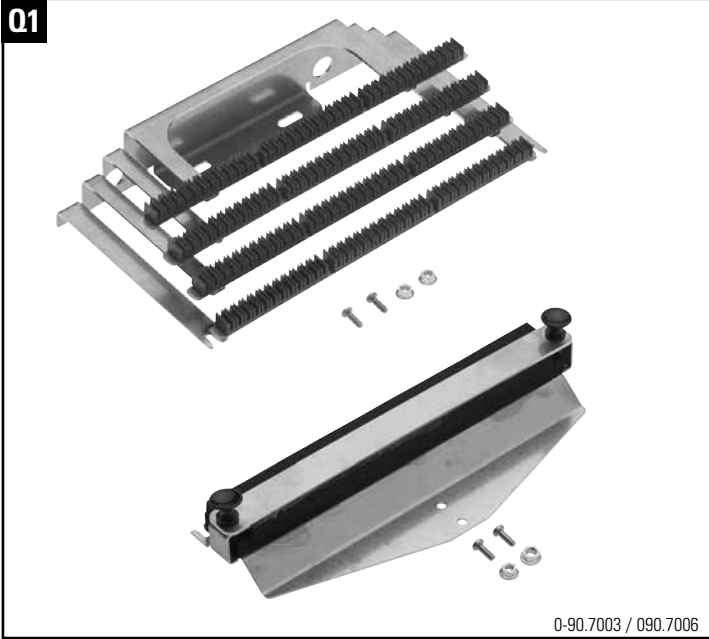
021.1668 / 021.1669 / 021.1670 / 021.1671 / 021.1672

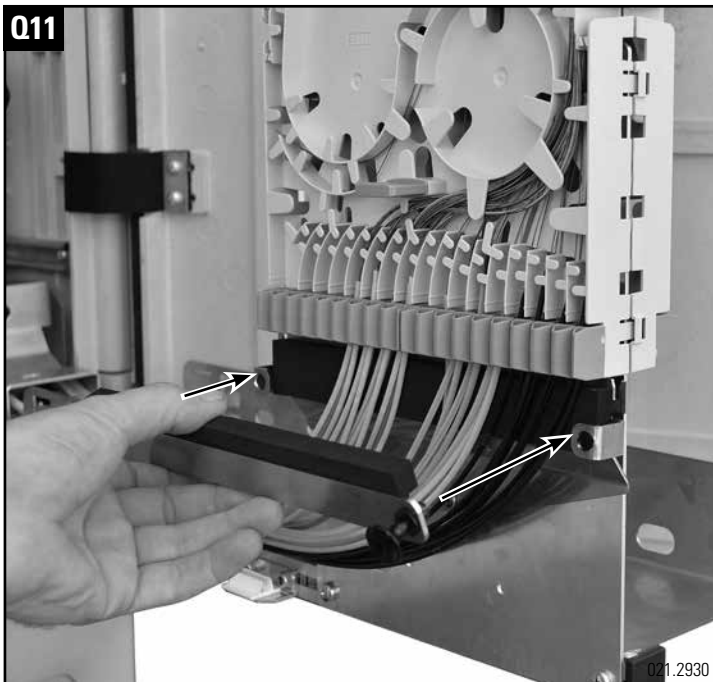
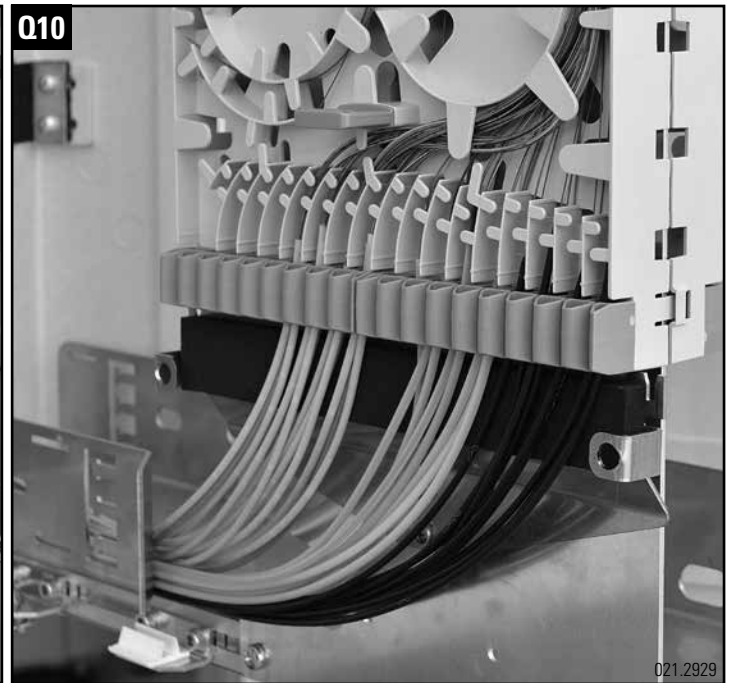
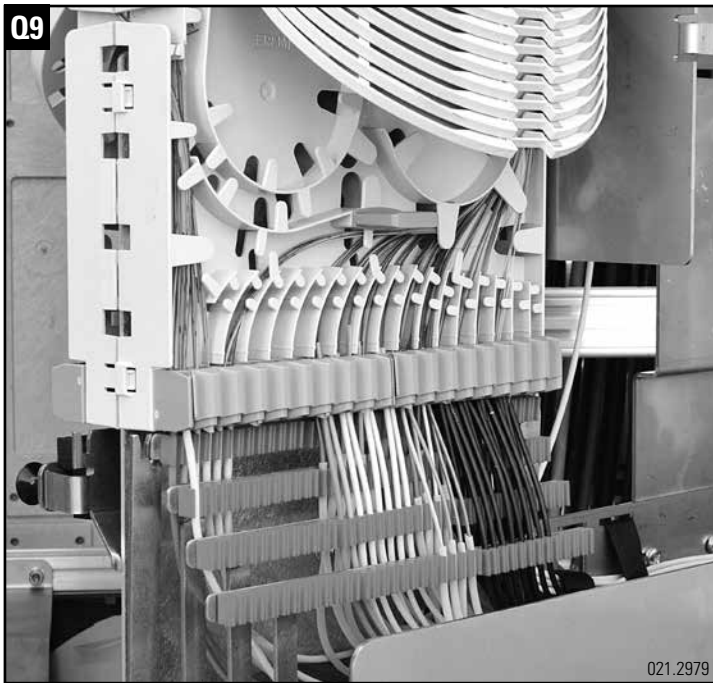
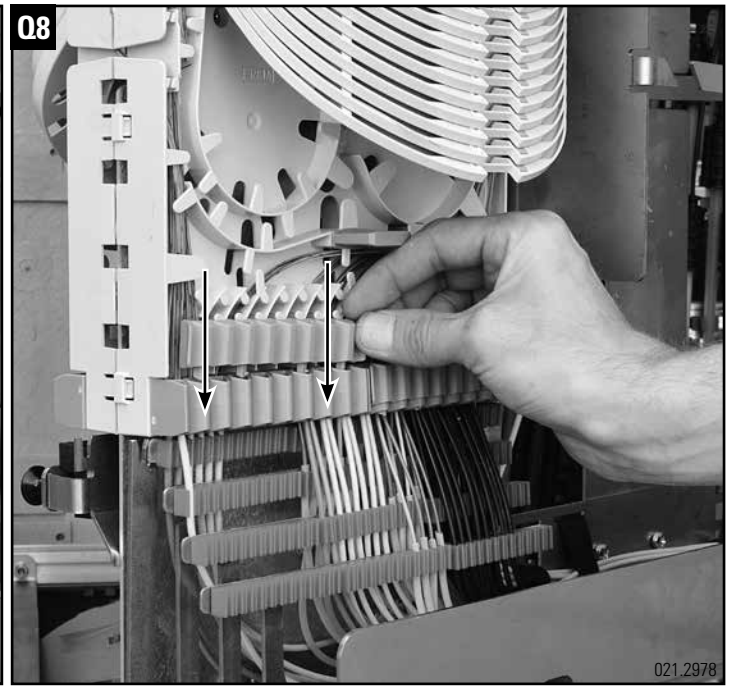
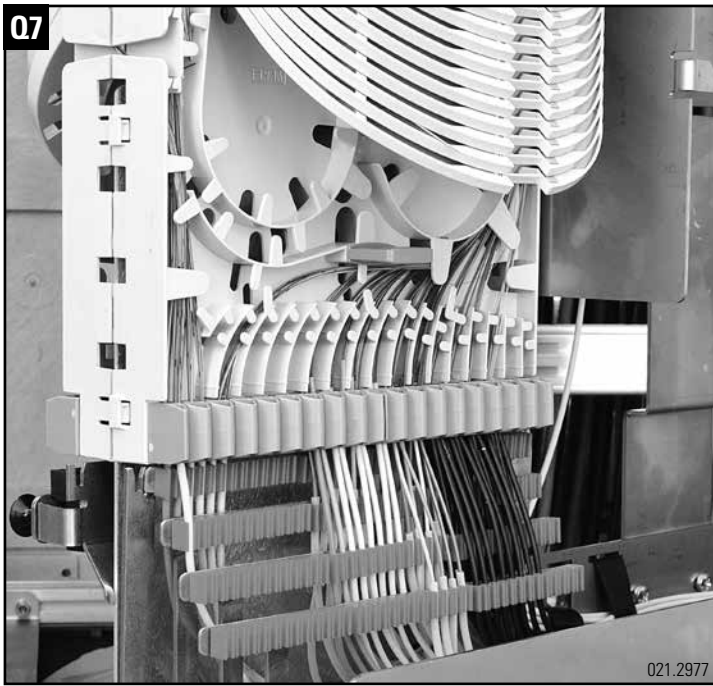
**P2 Max. 8 x 1HE/1U**

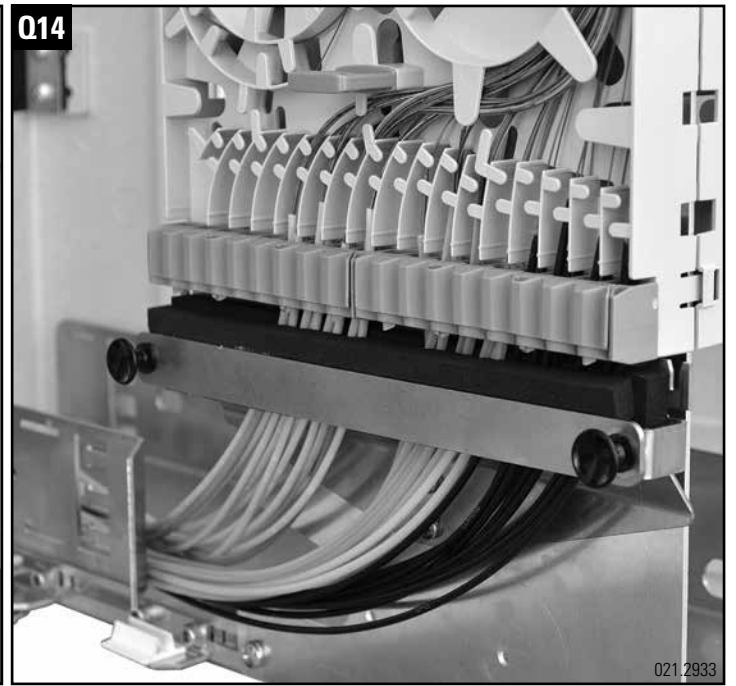
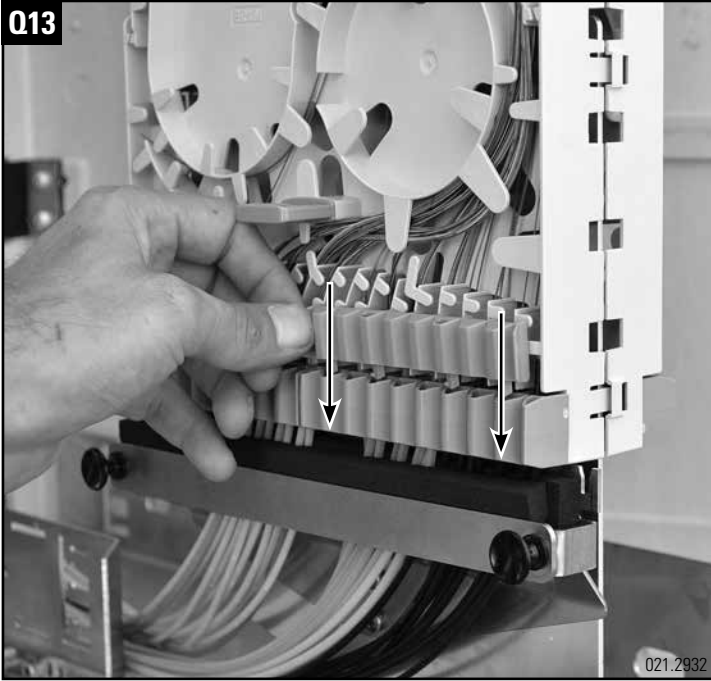
-  1HE/1U Splitter  
Max. 2:32
-  1HE/1U CWDM  
Max. 16 Kanal/Chanel

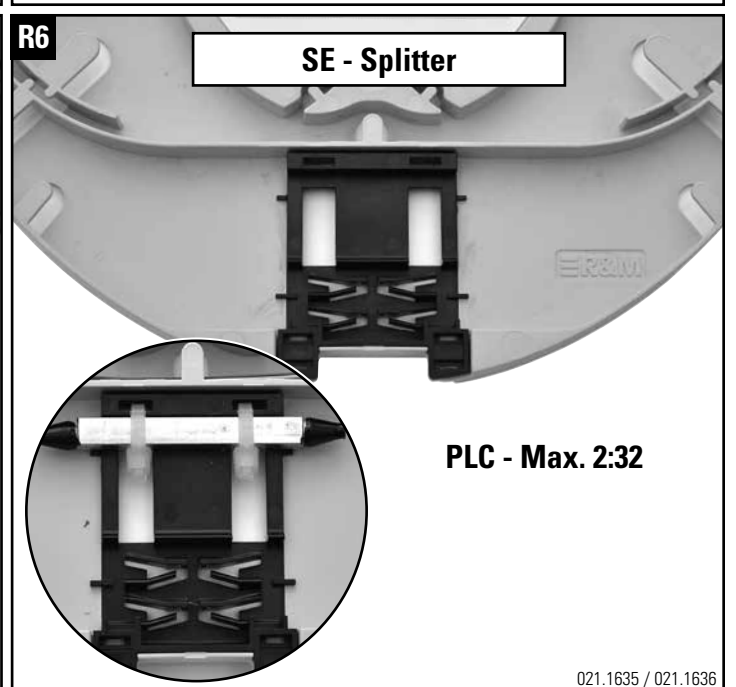
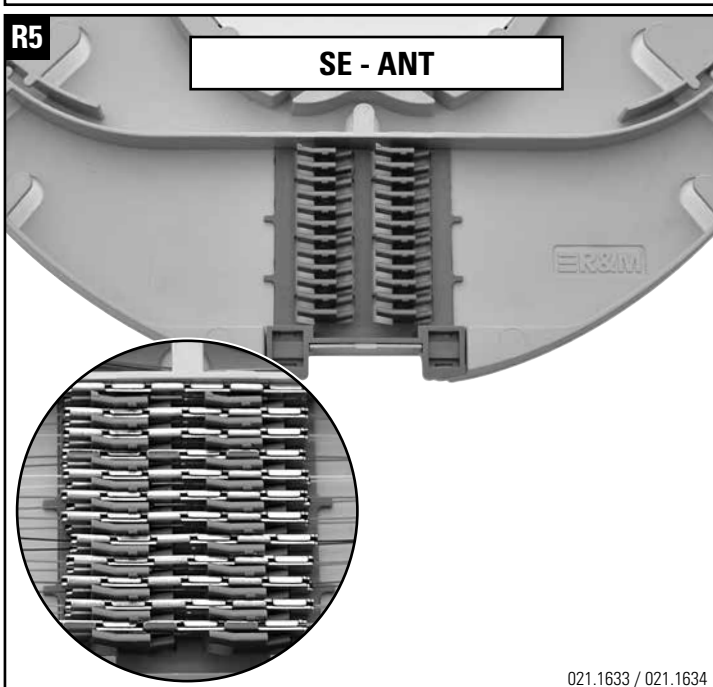
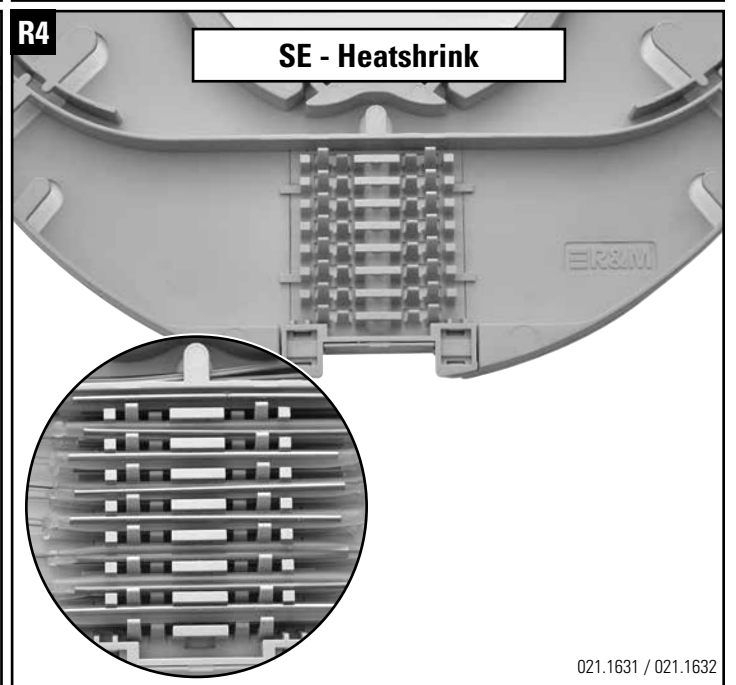
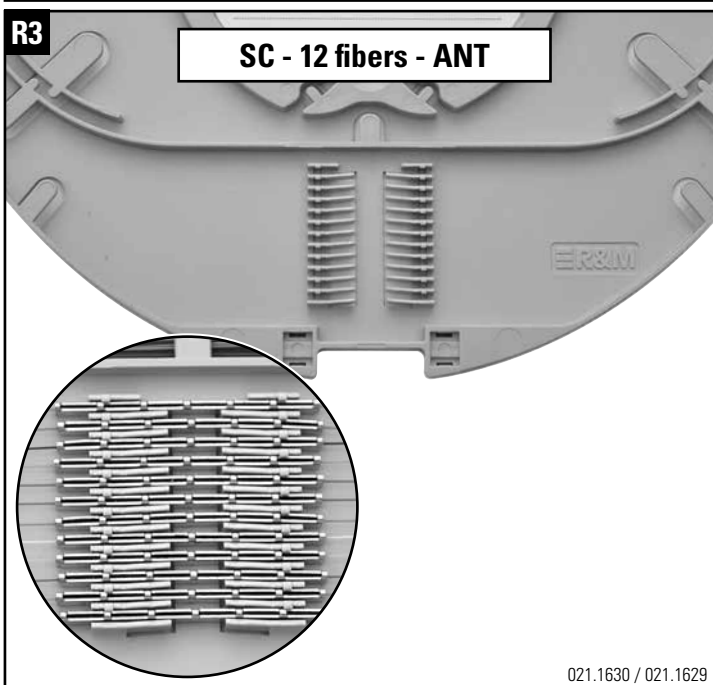
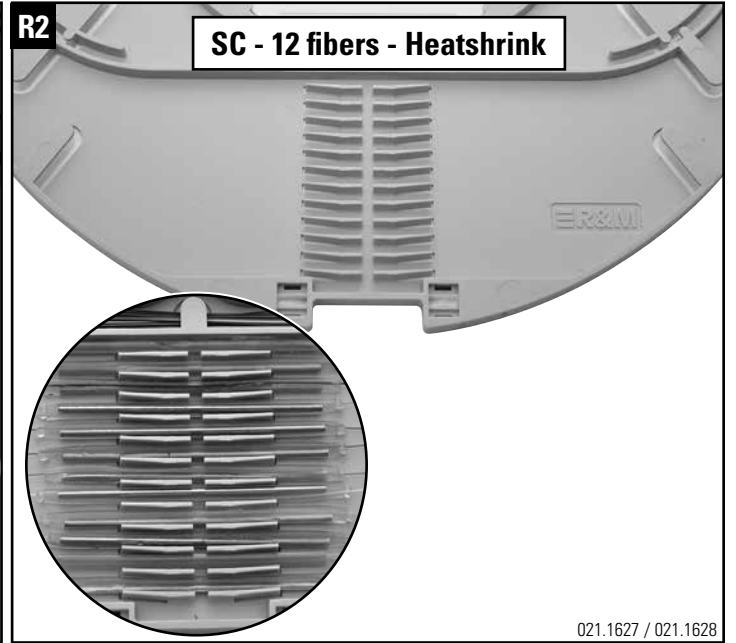
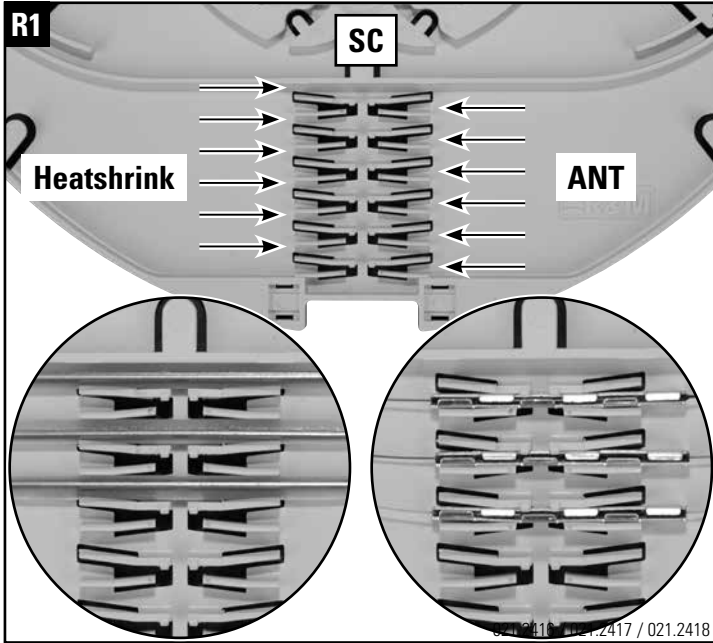
090.6662 / 090.6666

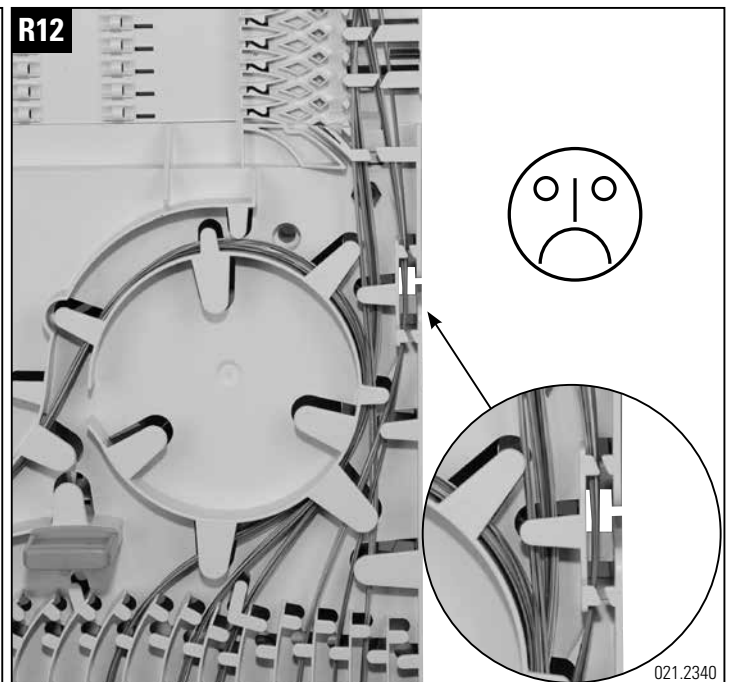
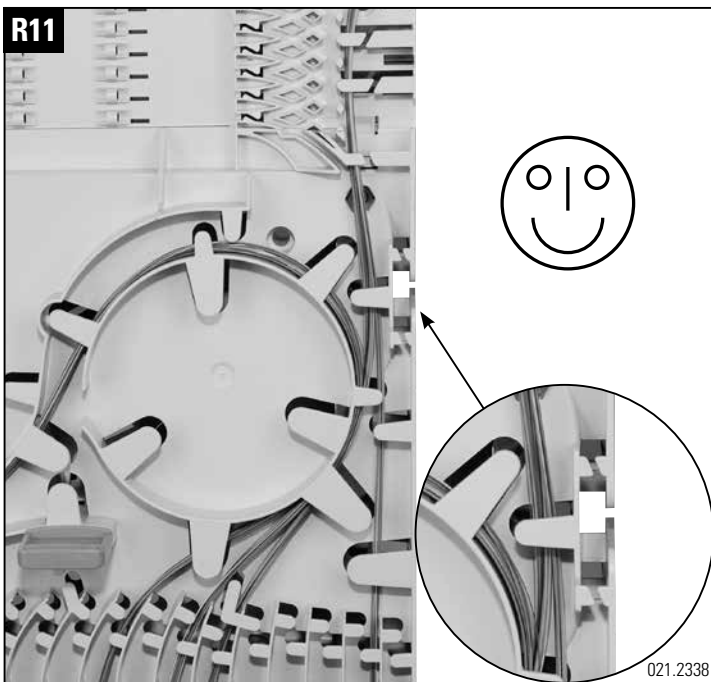
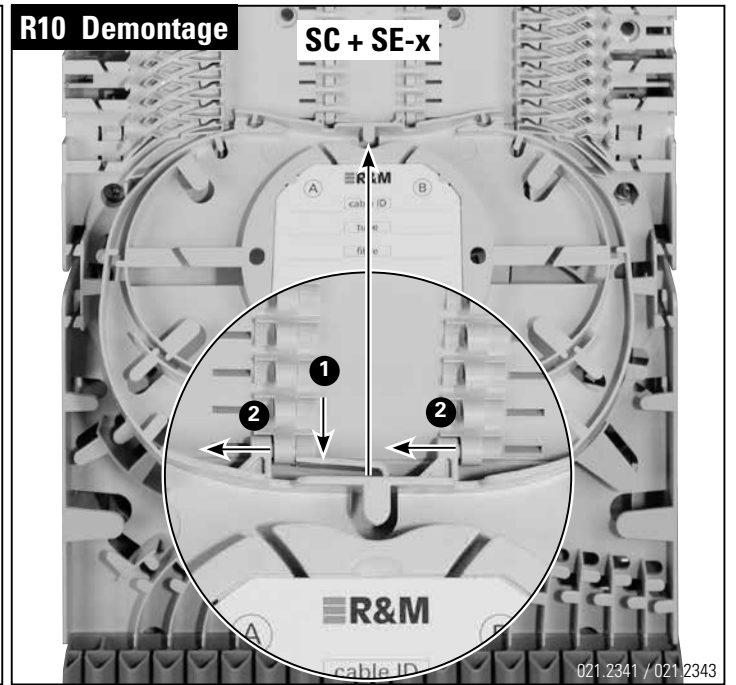
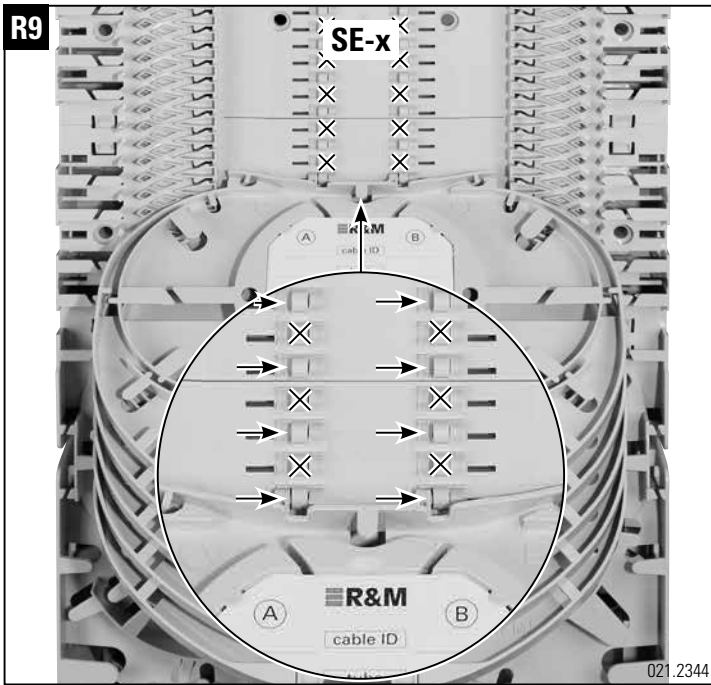
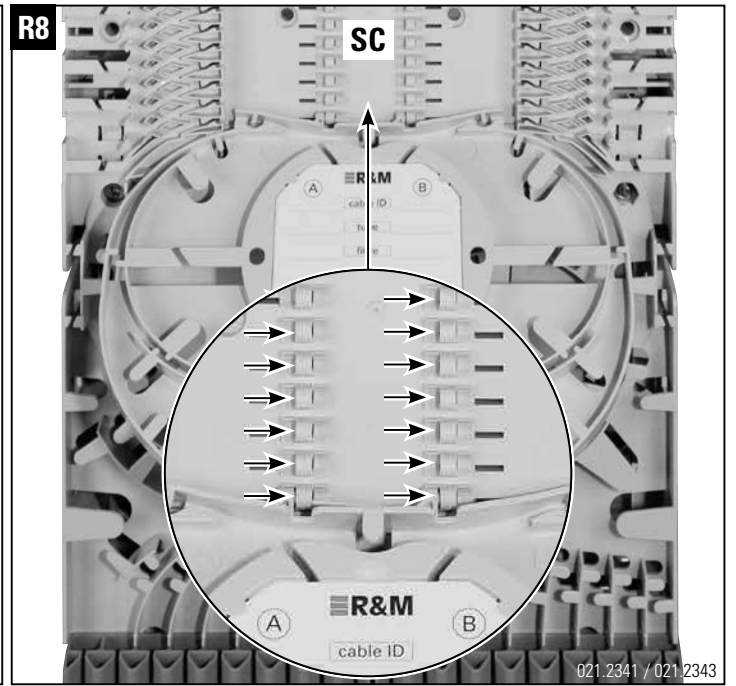
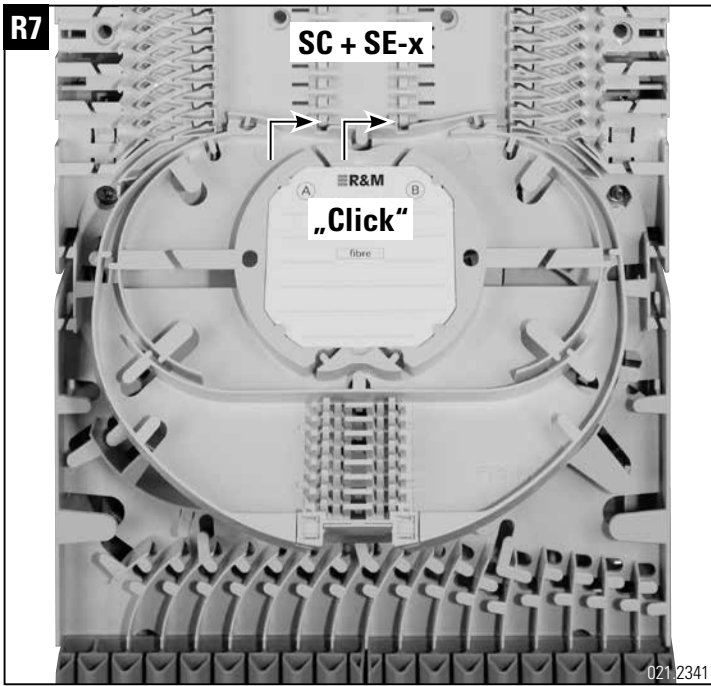
**Bünderlader Fixierung / Loose tube fixation**

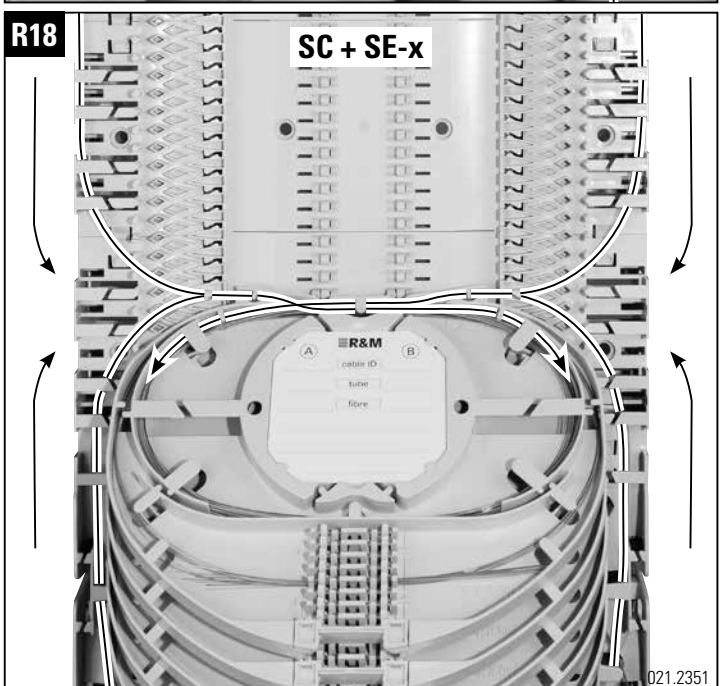
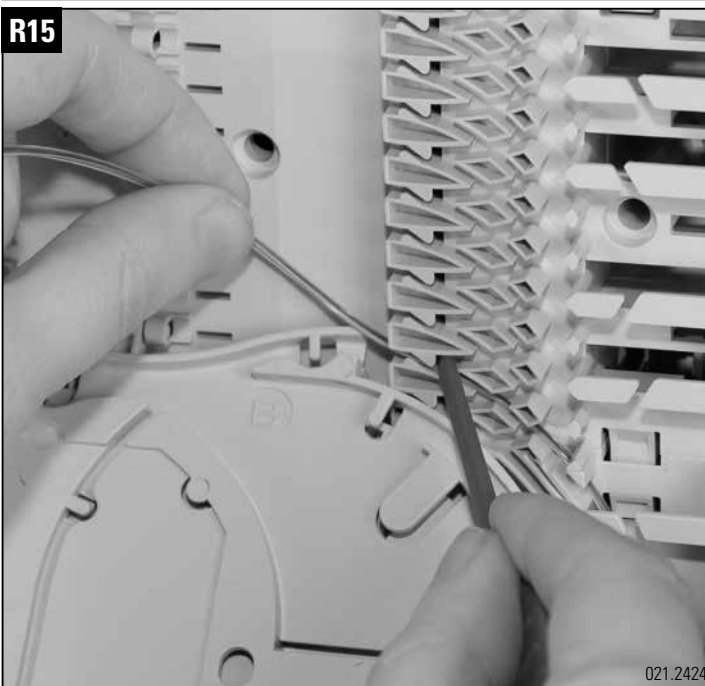
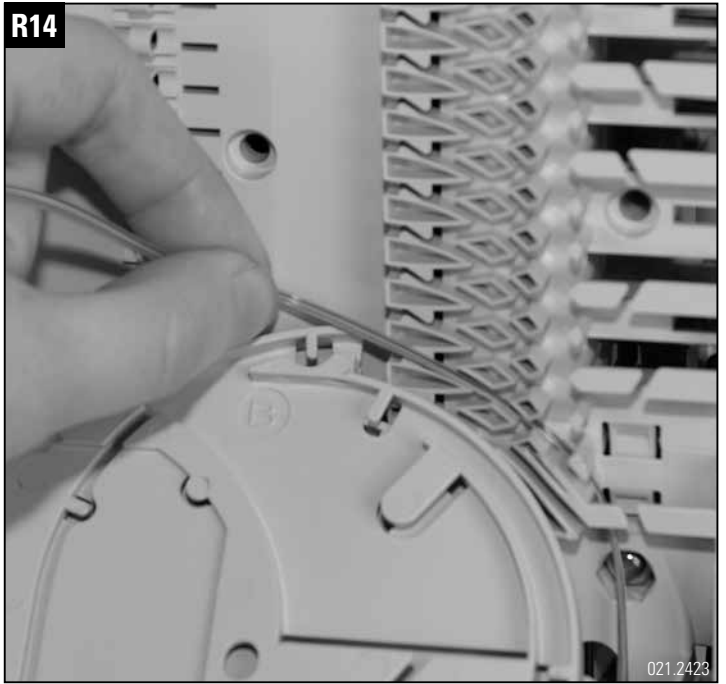
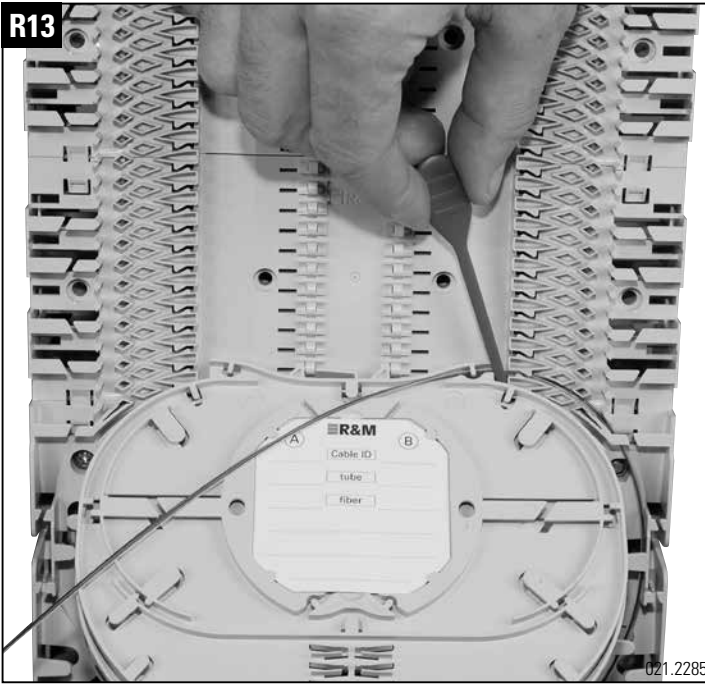




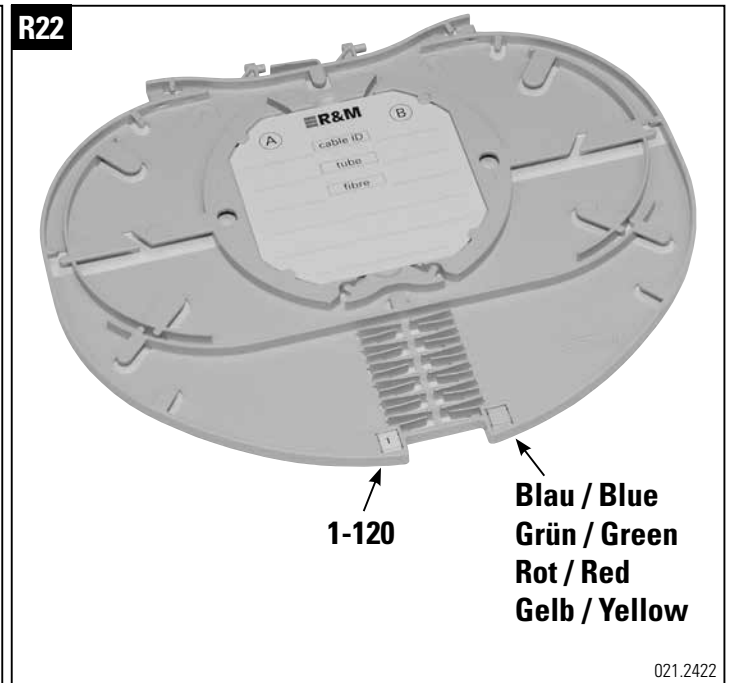
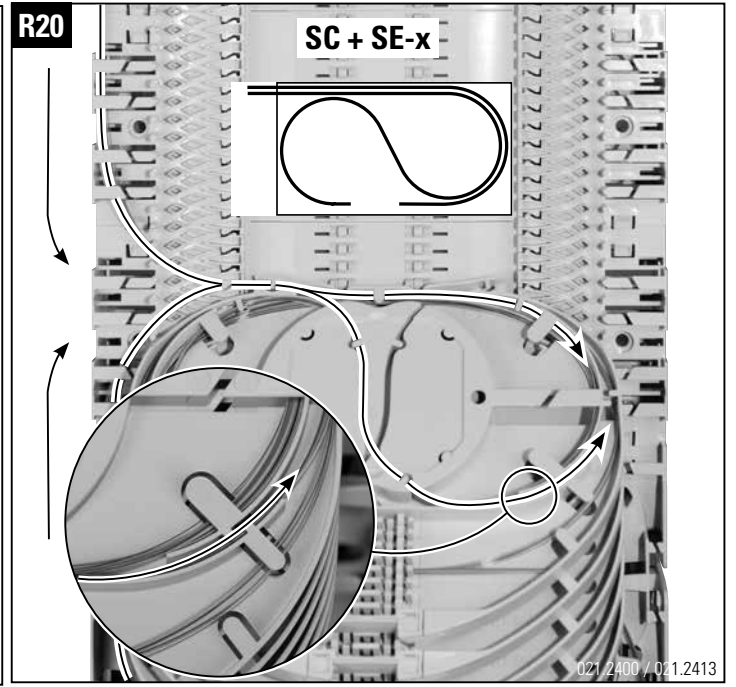
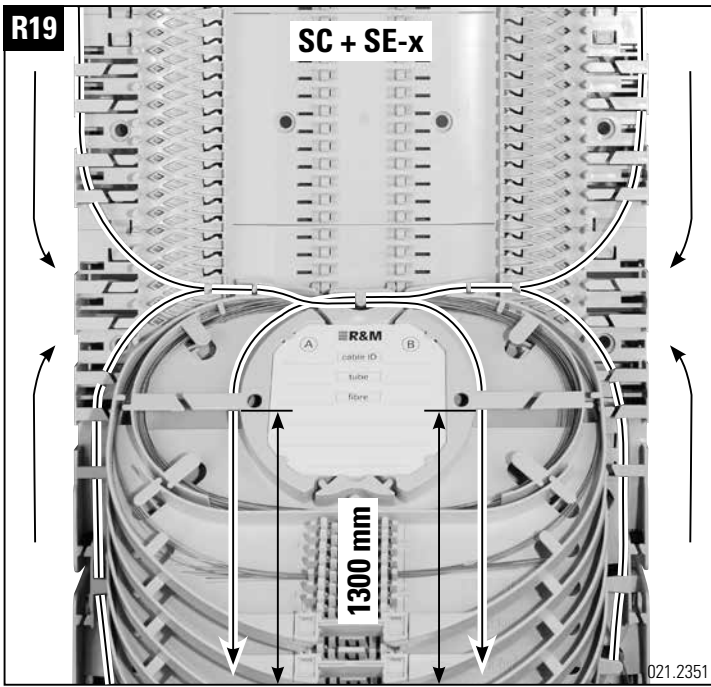




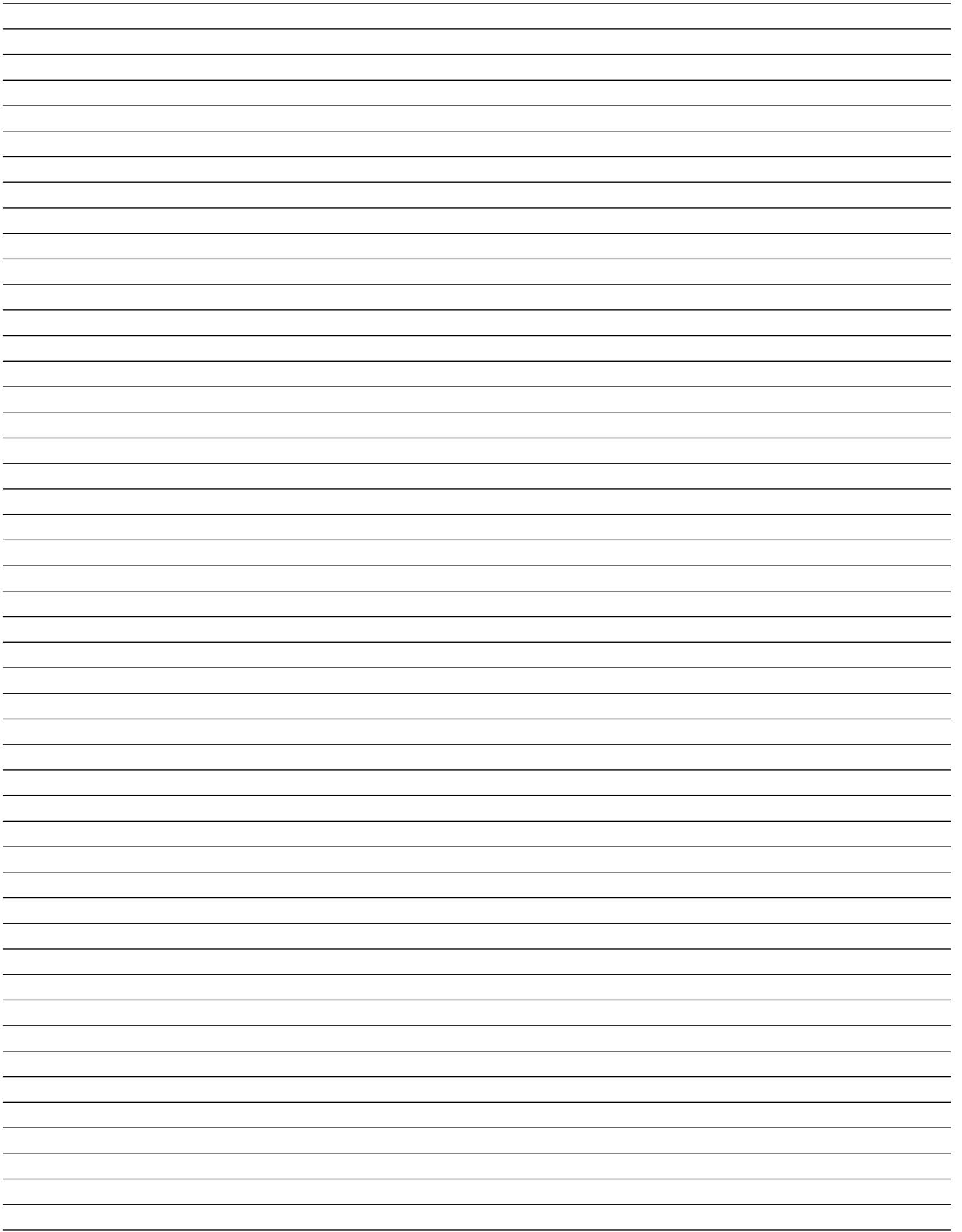












**Headquarters**

**Switzerland**

Reichle & De-Massari AG

Binzstrasse 32

CHE-8620 Wetzikon

Telephone HQ +41 (0)44 933 81 11

Telefax HQ +41 (0)44 930 49 41

E-Mail [hq@rdm.com](mailto:hq@rdm.com)

[www.rdm.com](http://www.rdm.com)

