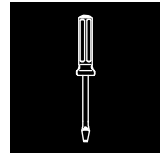
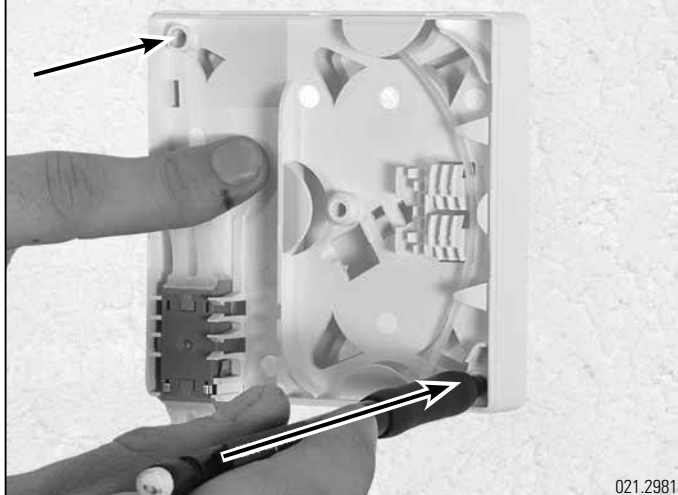


Installationsanleitung FiberDose für FTTH Basic
Installation guide FiberOutlet for FTTH Basic
Instructions de montage boîtier fibre pour FTTH Basic



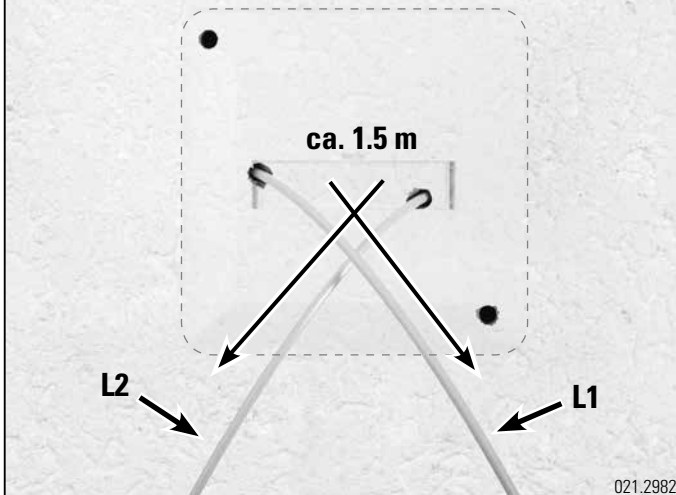
021.2980

A1 Markierung & Bohren - \varnothing 6mm
Mark & drill - \varnothing 6mm

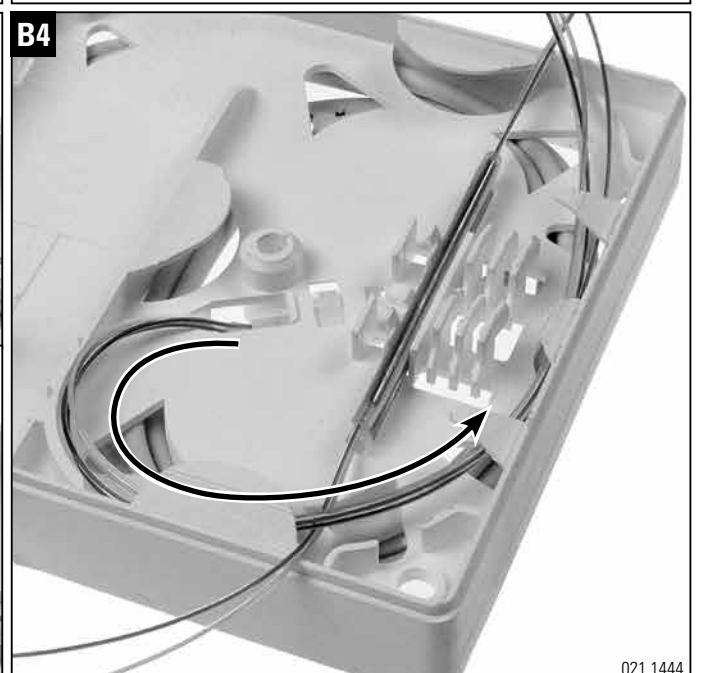
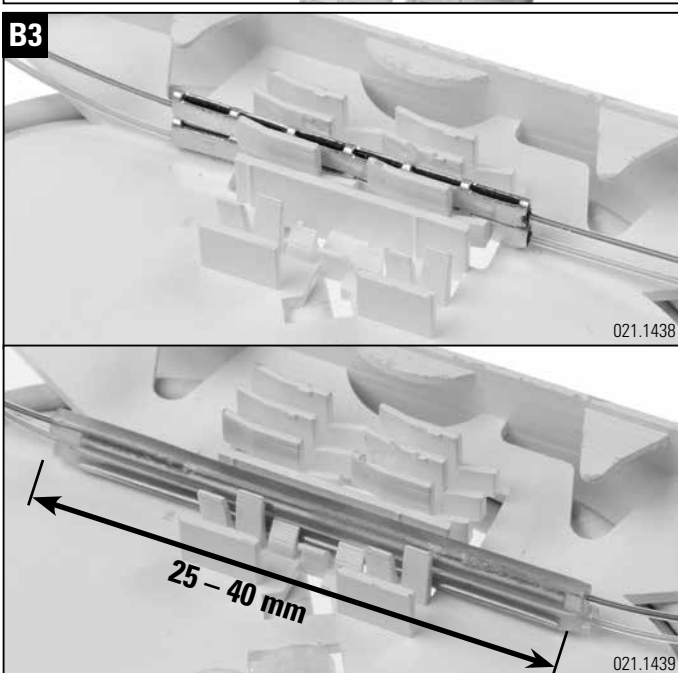
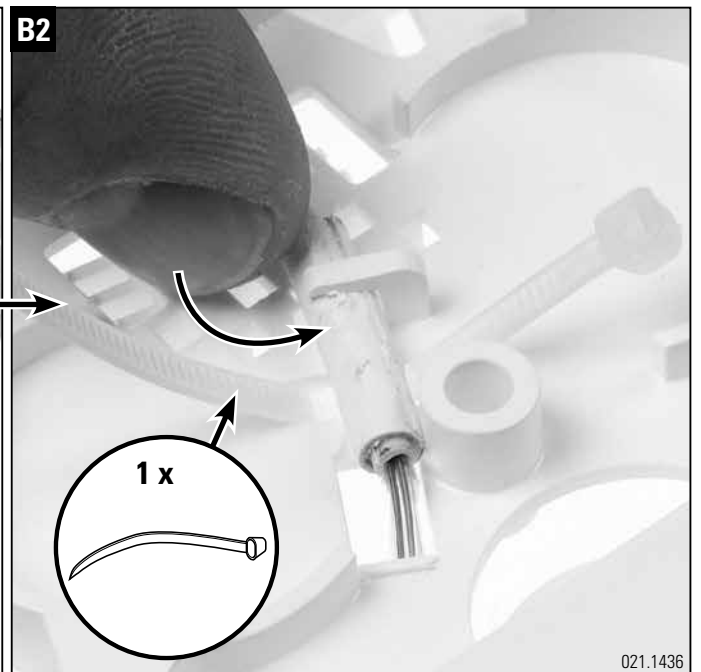
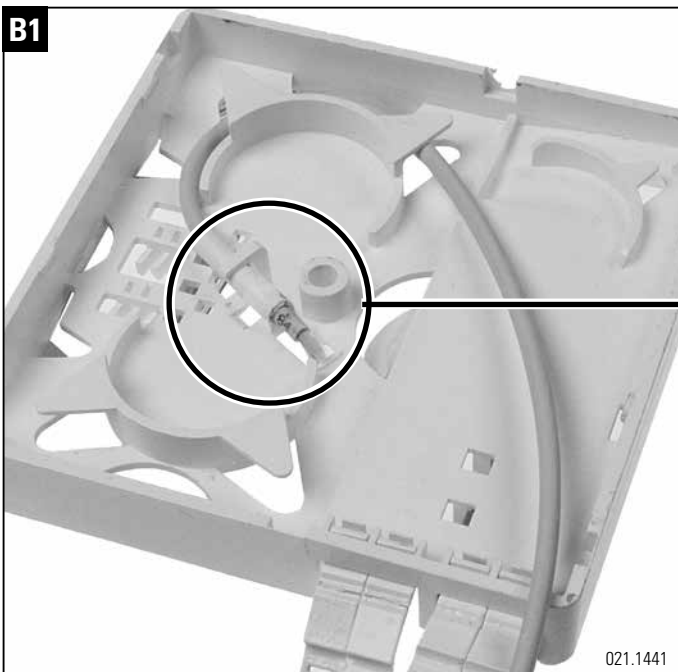
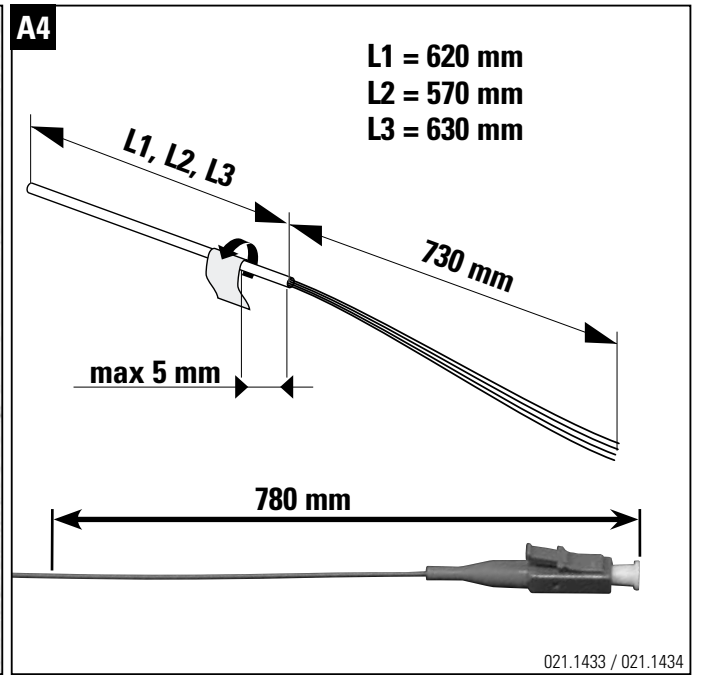
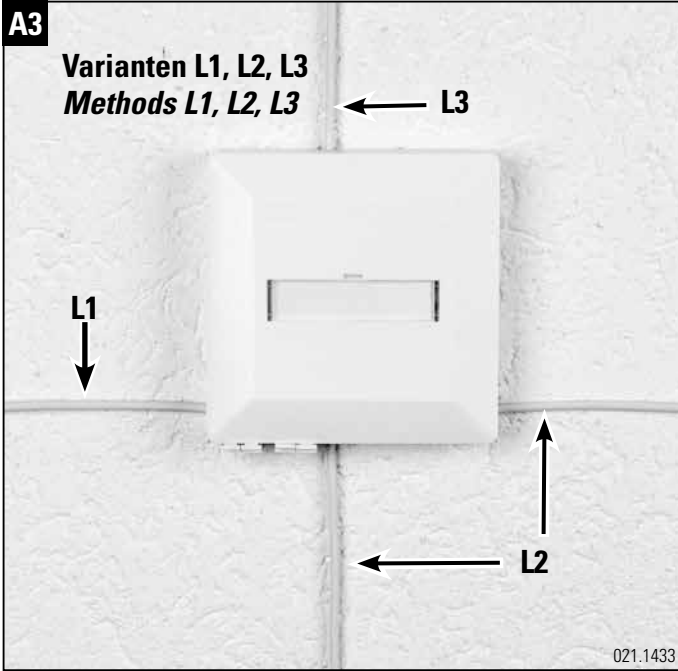


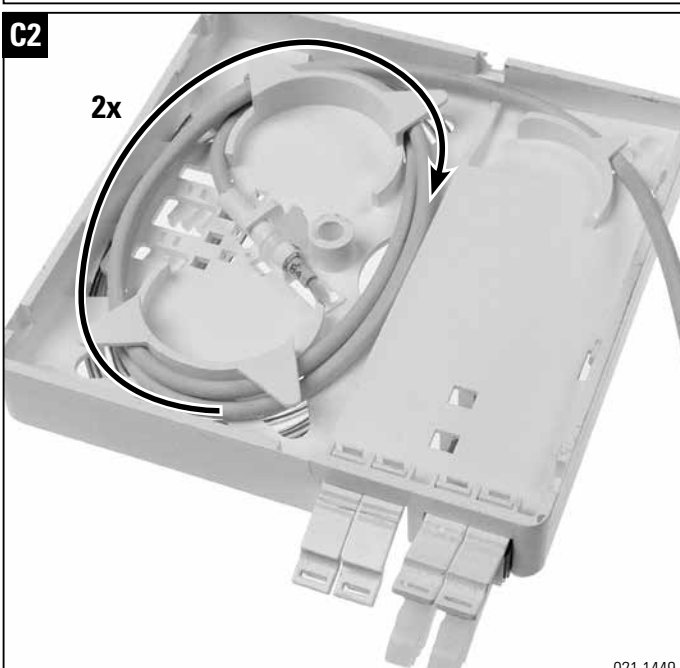
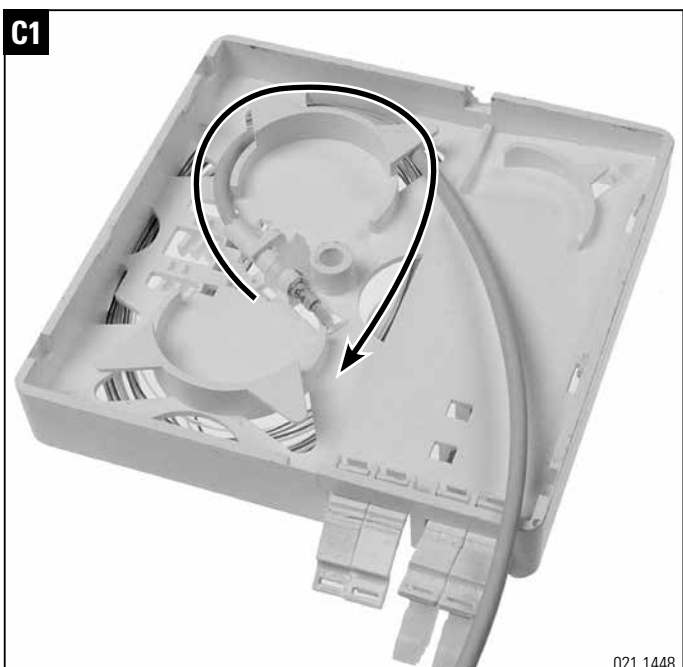
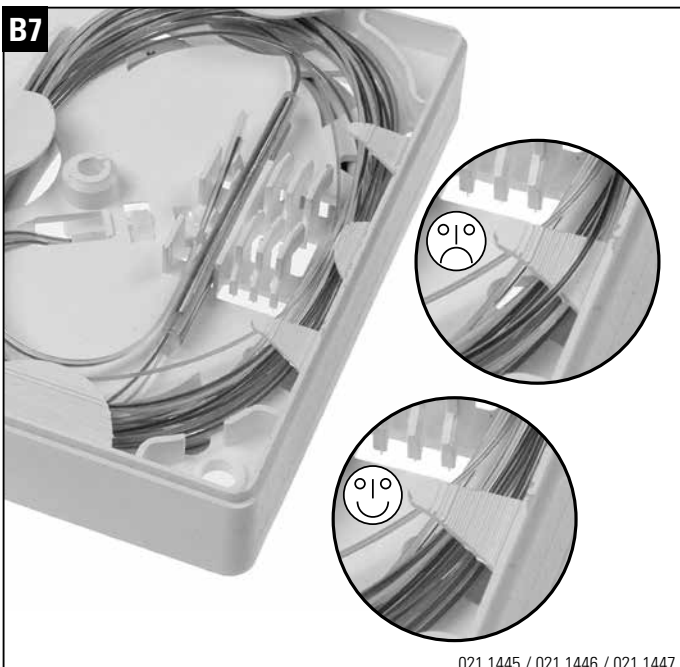
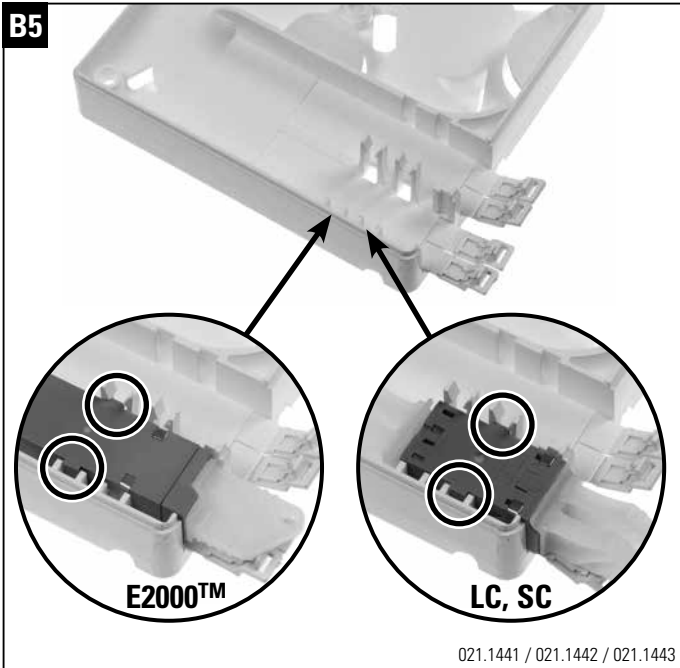
021.2981

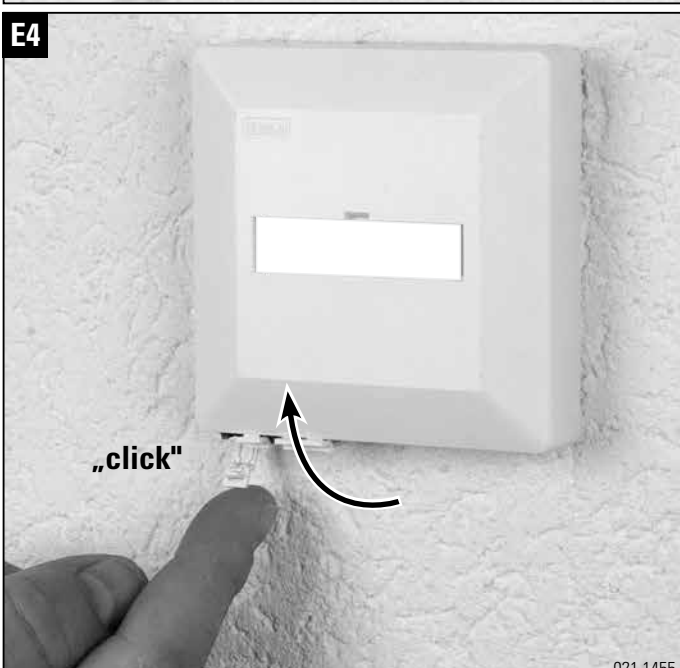
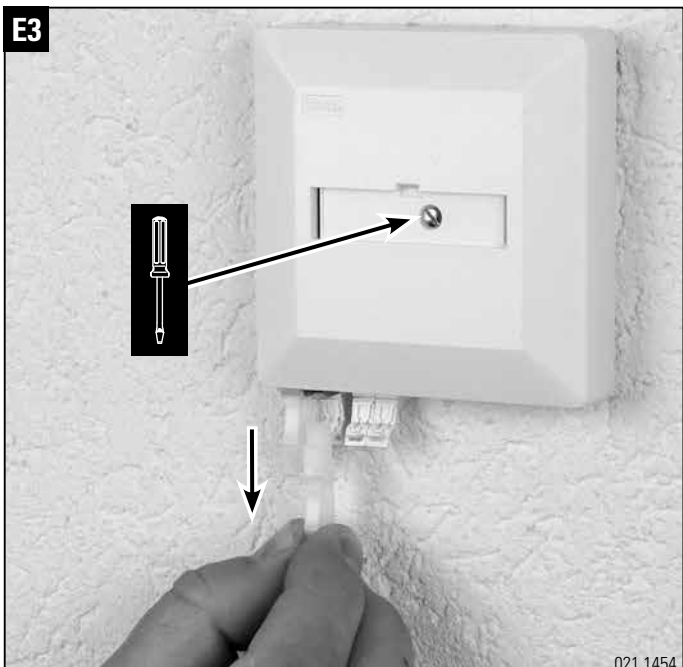
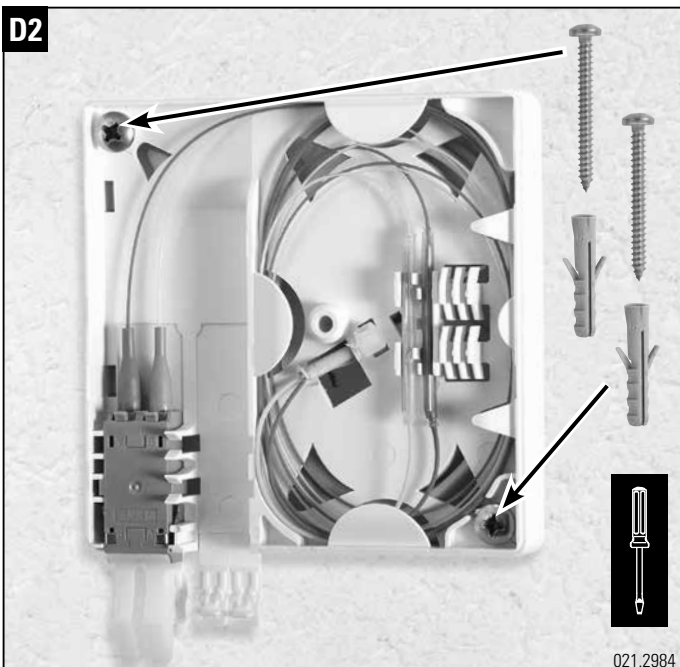
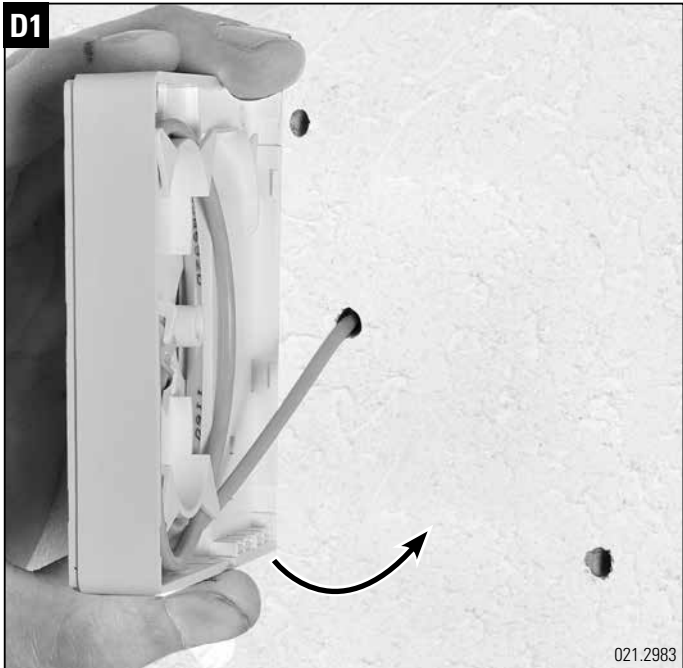
A2 Varianten L1, L2
Methods L1, L2



021.2982







Headquarters

Switzerland
 Reichle & De-Massari AG
 Binzstrasse 32
 CHE-8620 Wetzikon
 Telephone HQ +41 (0)44 933 81 11
 Telefax HQ +41 (0)44 930 49 41
 E-Mail hq@rdm.com

www.rdm.com

