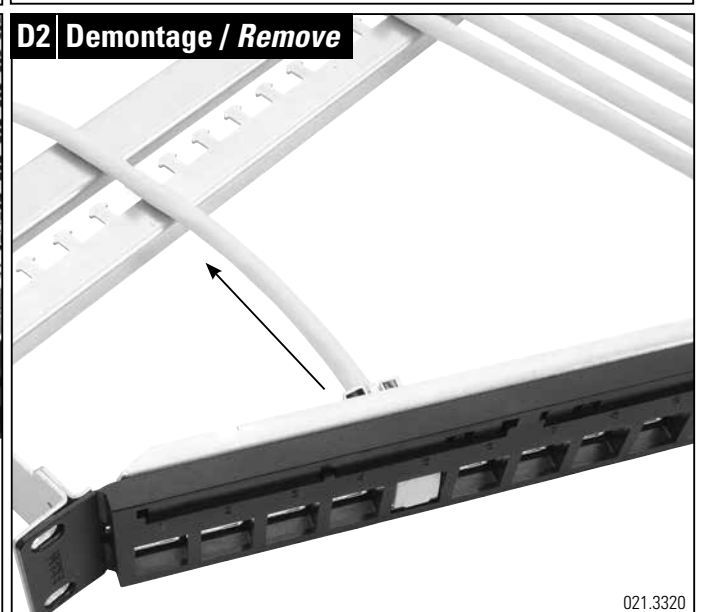
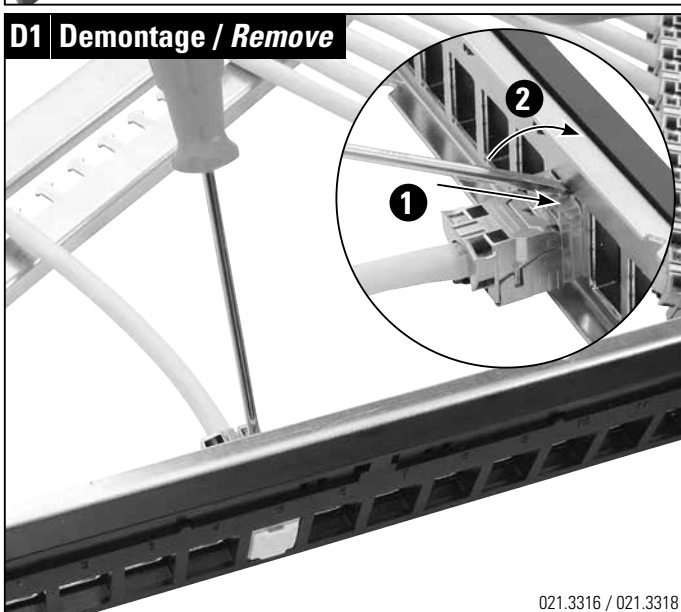
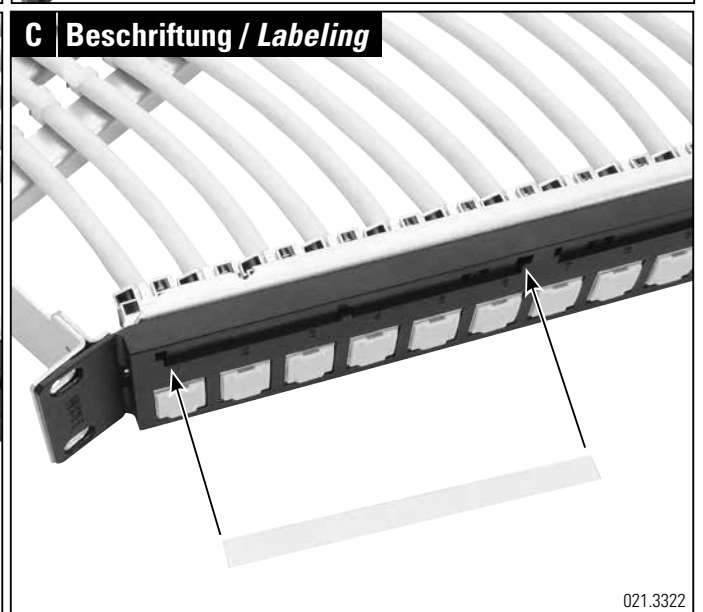
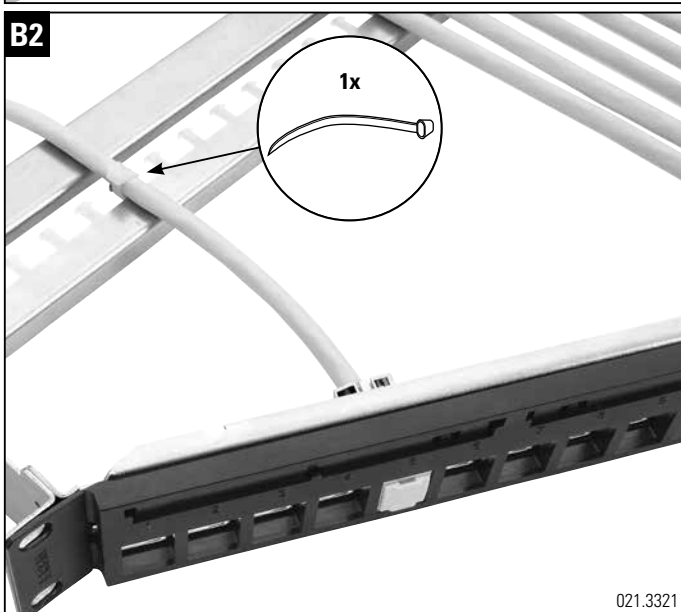
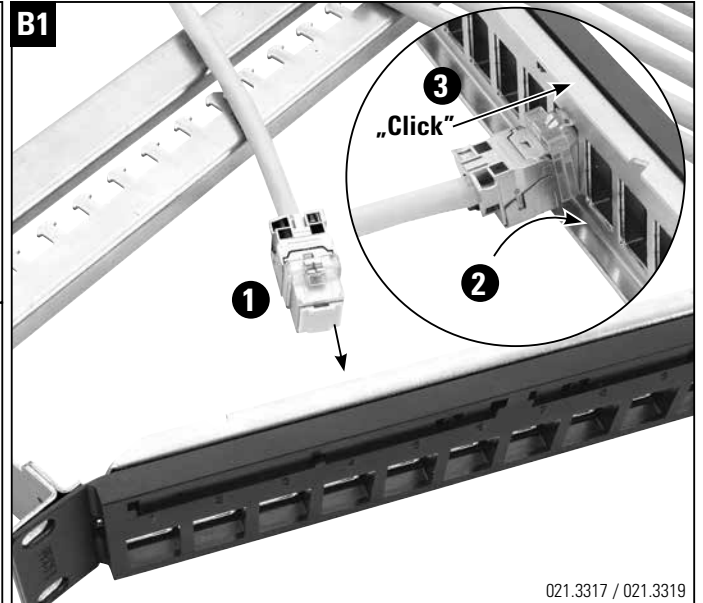
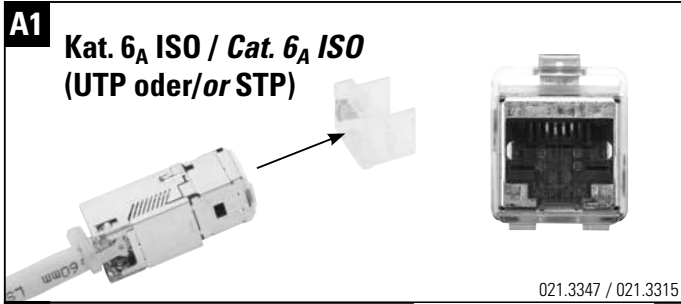
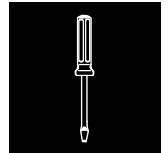
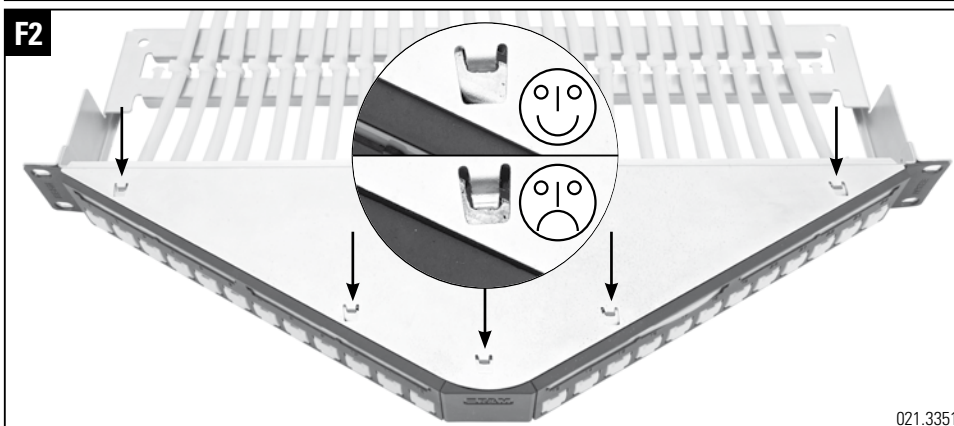
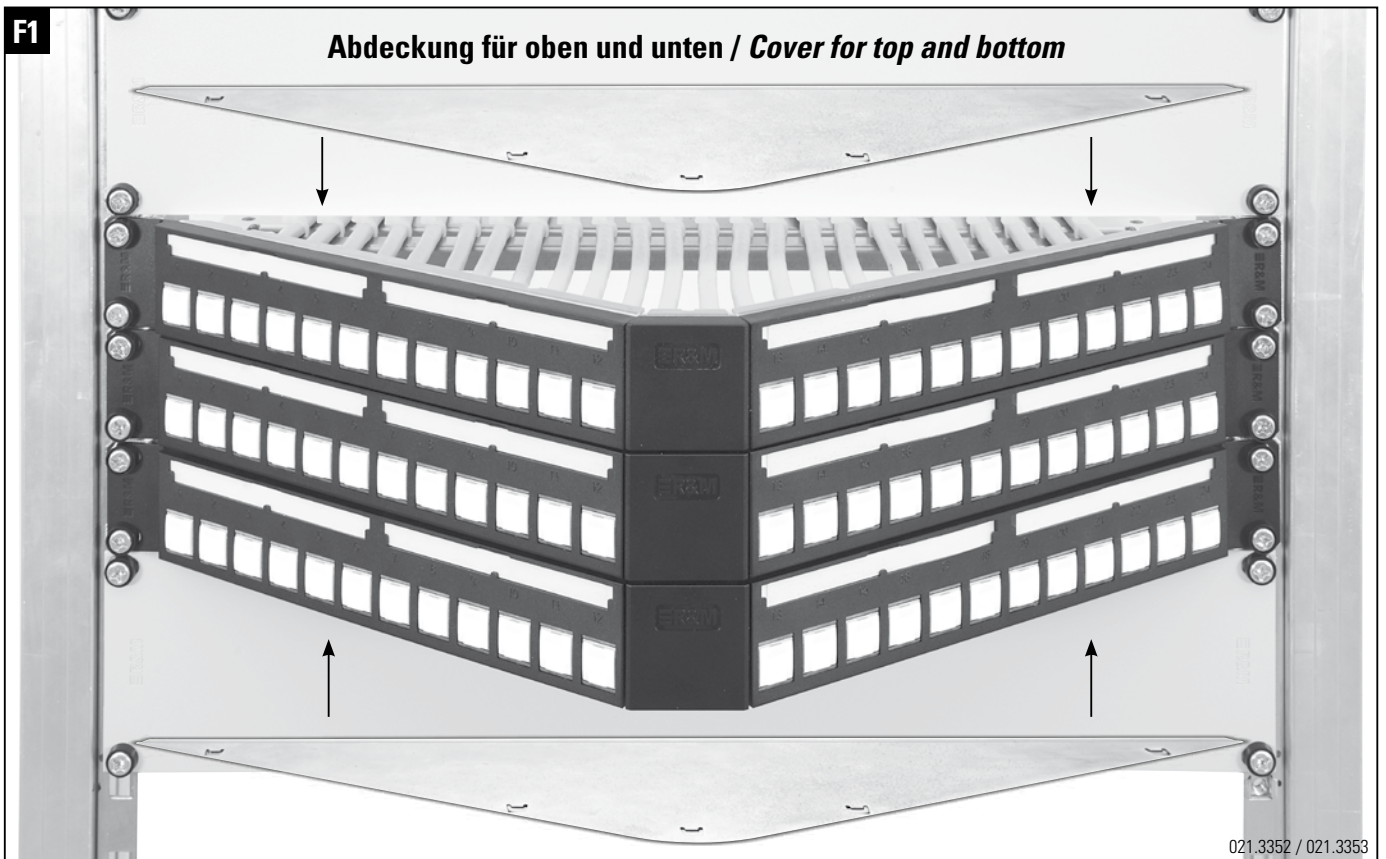
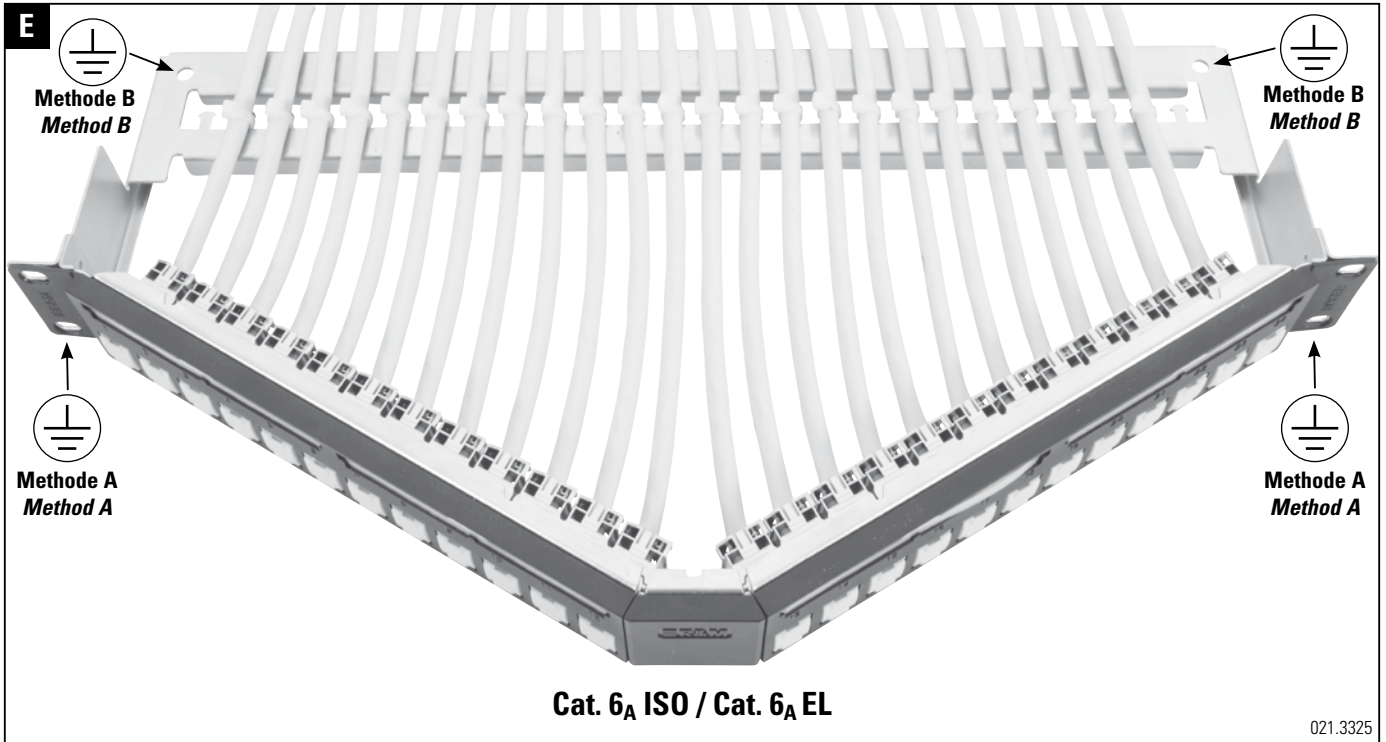


Installationsanleitung 19"-1HE-PC-Angled Rangierfeld, 24xRJ45 Kat. 6<sub>A</sub>  
 Installation guide 19"-1HE-PC-Angled Panel, 24xRJ45 Cat. 6<sub>A</sub>  
 Instructions de montage 19"-1HE-PC-Angled Panel, 24xRJ45 Cat. 6<sub>A</sub>





**Headquarters**

**Switzerland**

Reichle & De-Massari AG

Binzstrasse 32

CHE-8620 Wetzikon

Telephone HQ +41 (0)44 933 81 11

Telefax HQ +41 (0)44 930 49 41

E-Mail [hq@rdm.com](mailto:hq@rdm.com)

[www.rdm.com](http://www.rdm.com)

**R&M**