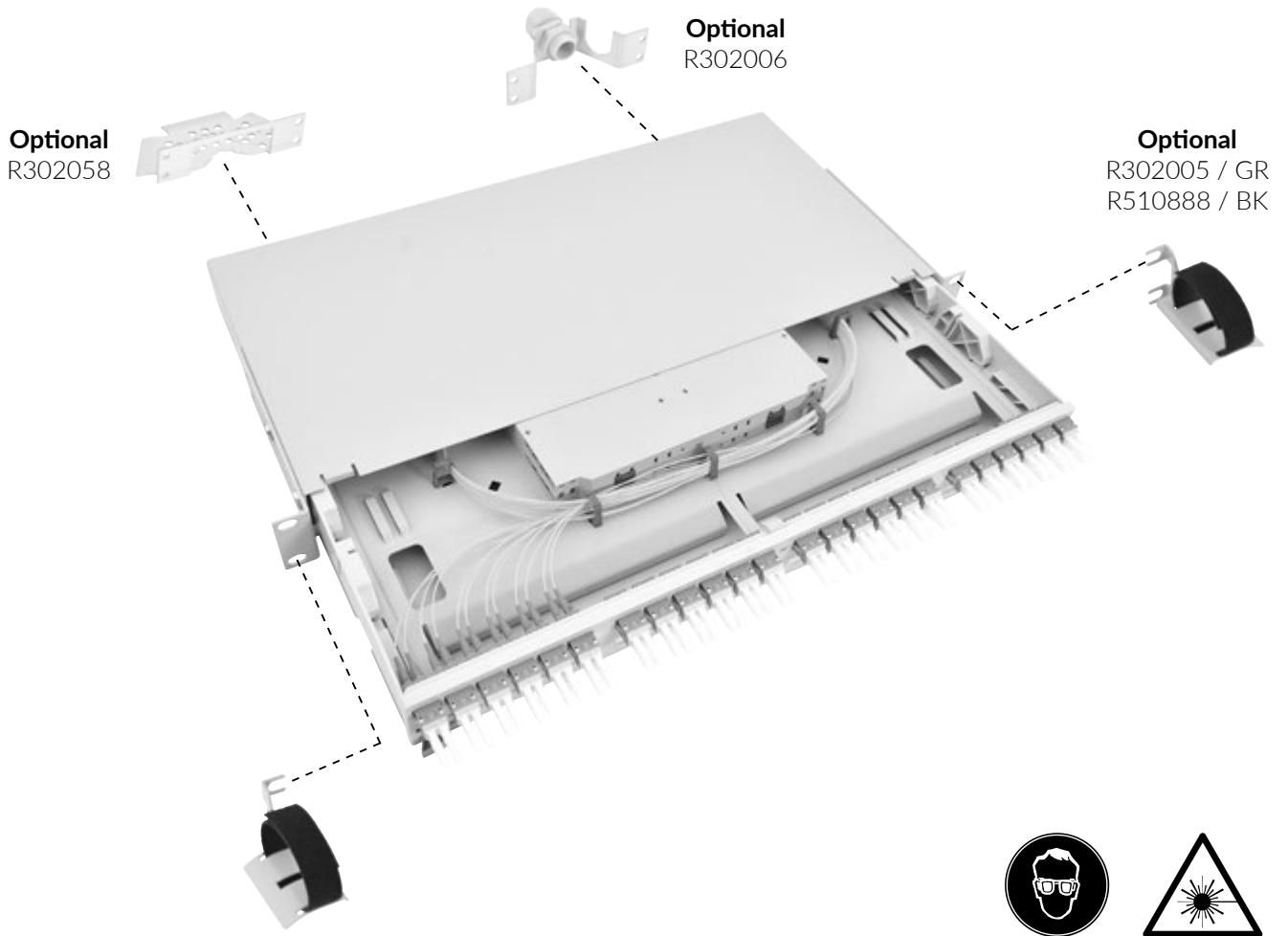
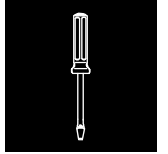


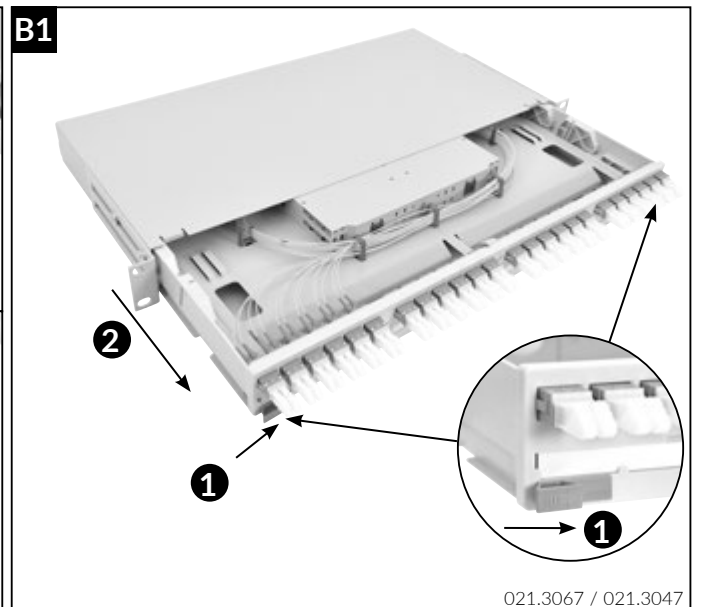
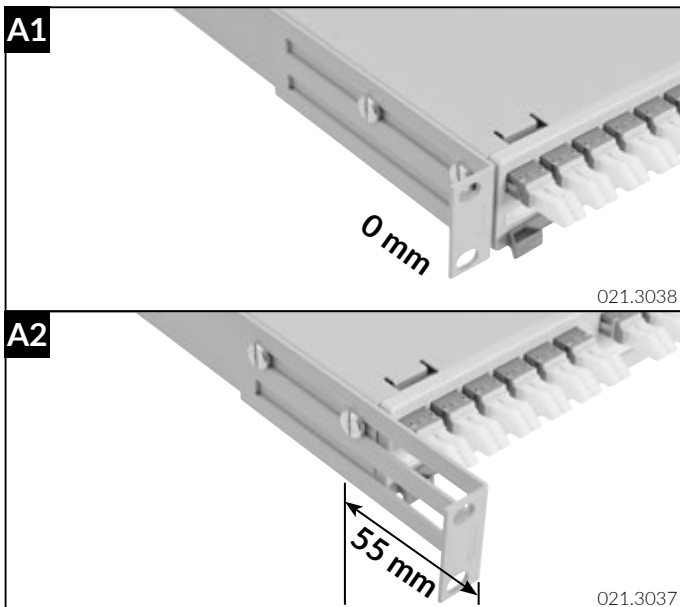
Installationsanleitung UniRack 2

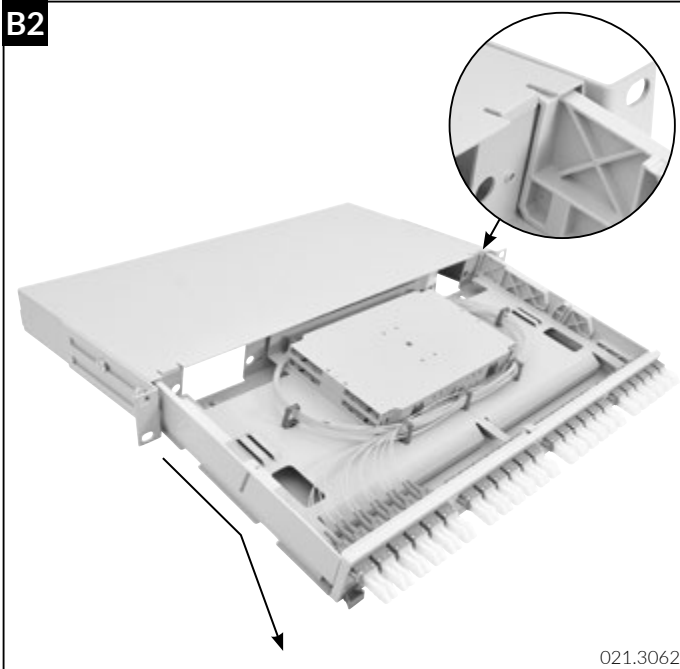
Installation guide UniRack 2

Instructions de montage UniRack 2

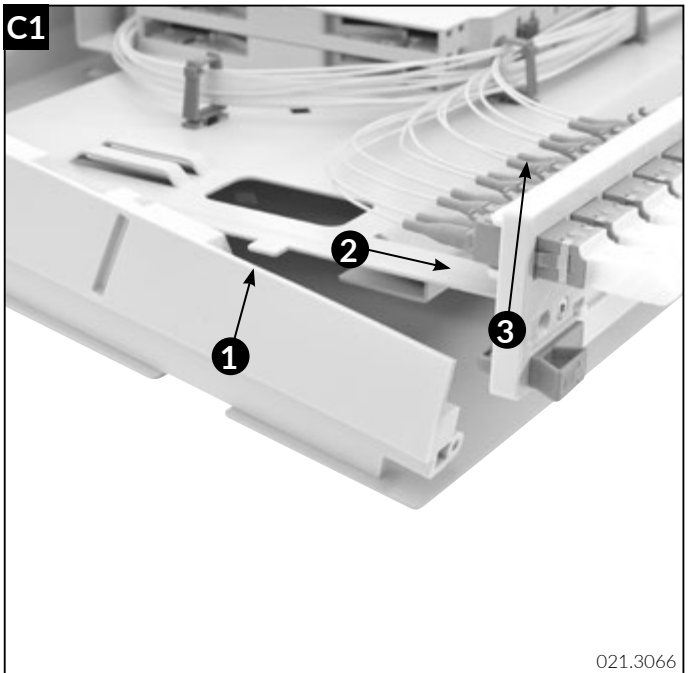


021.3041 / 021.3042 / 021.3043 / 021.3044 / 021.3052

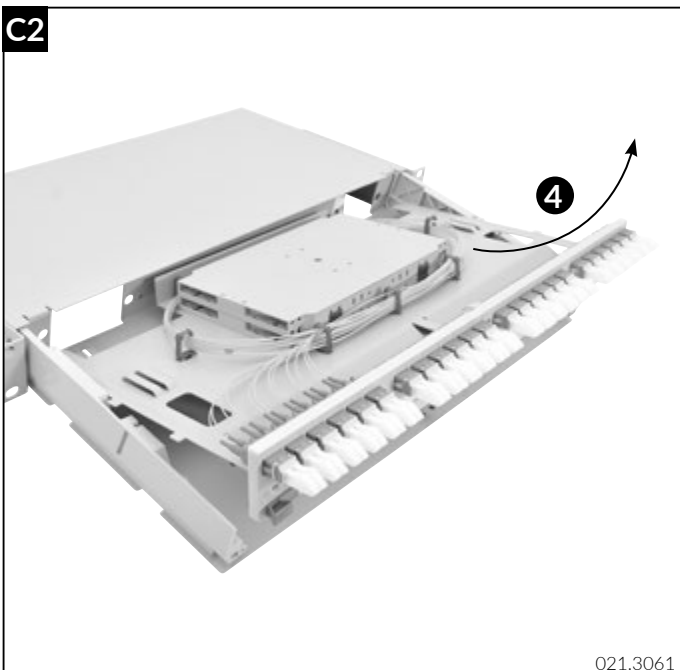




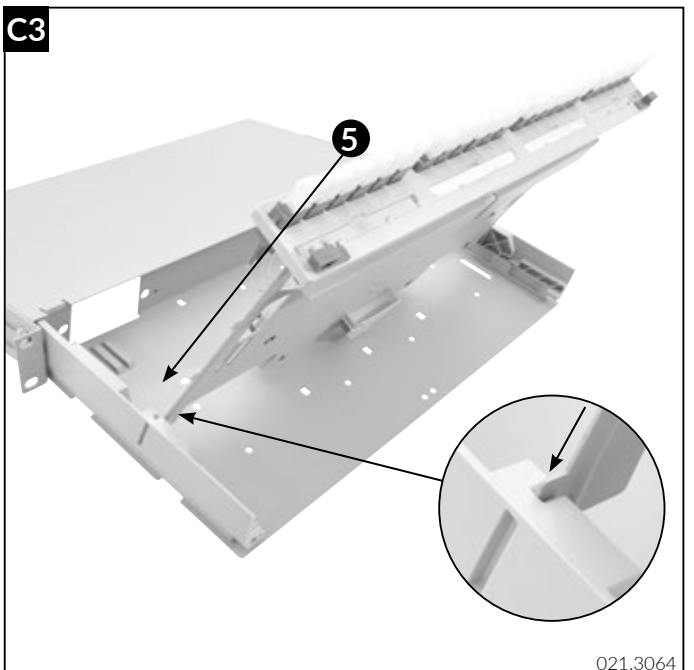
021.3062



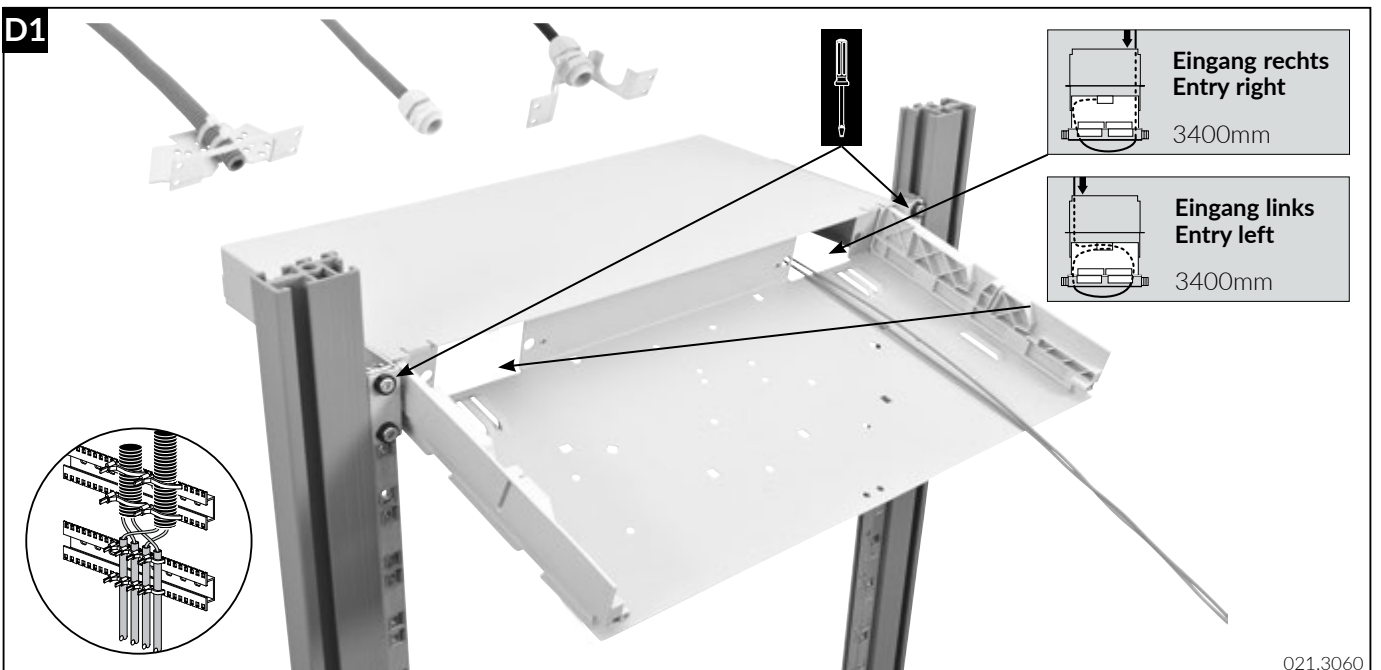
021.3066



021.3061



021.3064



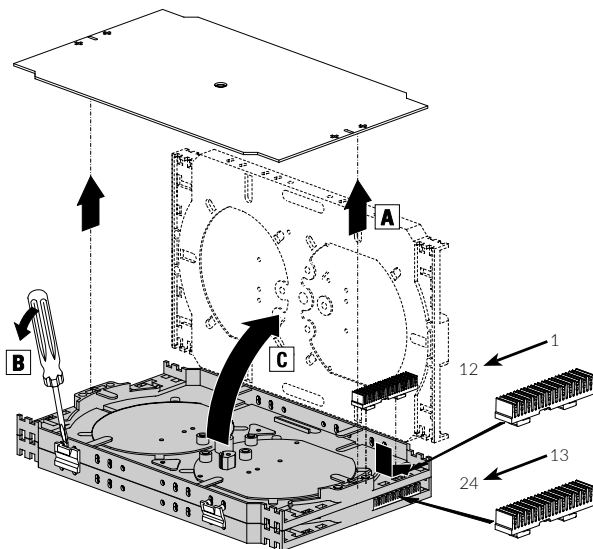
021.3060

D2

⚠ Biegeradius
Bending radius



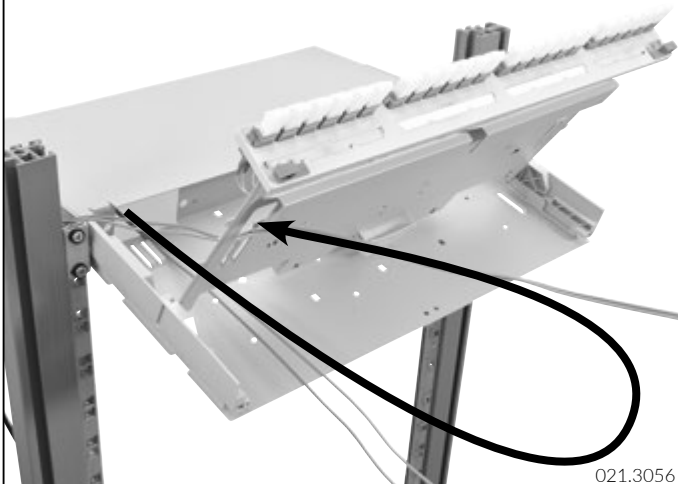
021.3211

E

021.3118

F1

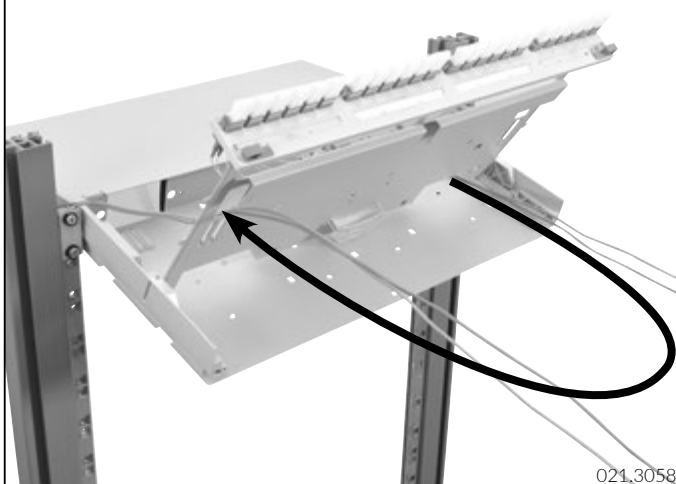
Eingang links / Entry left



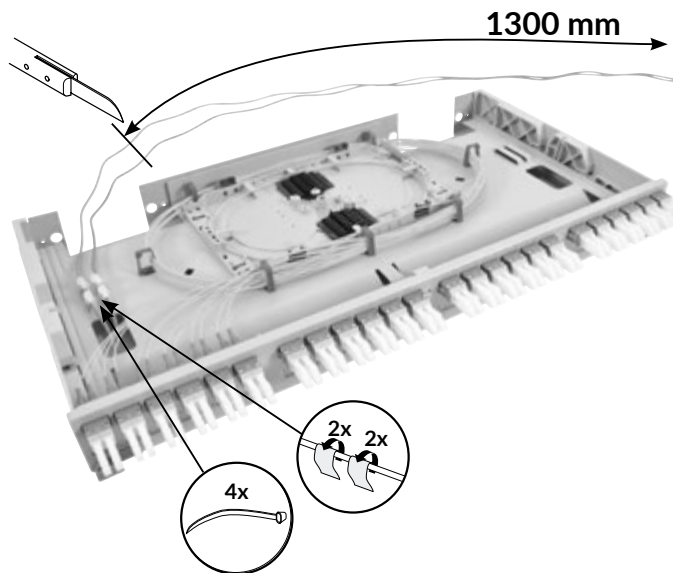
021.3056

F2

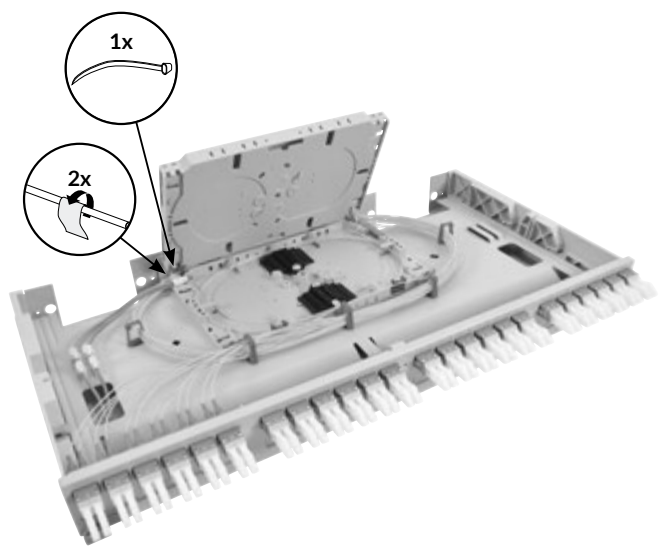
Eingang rechts / Entry right



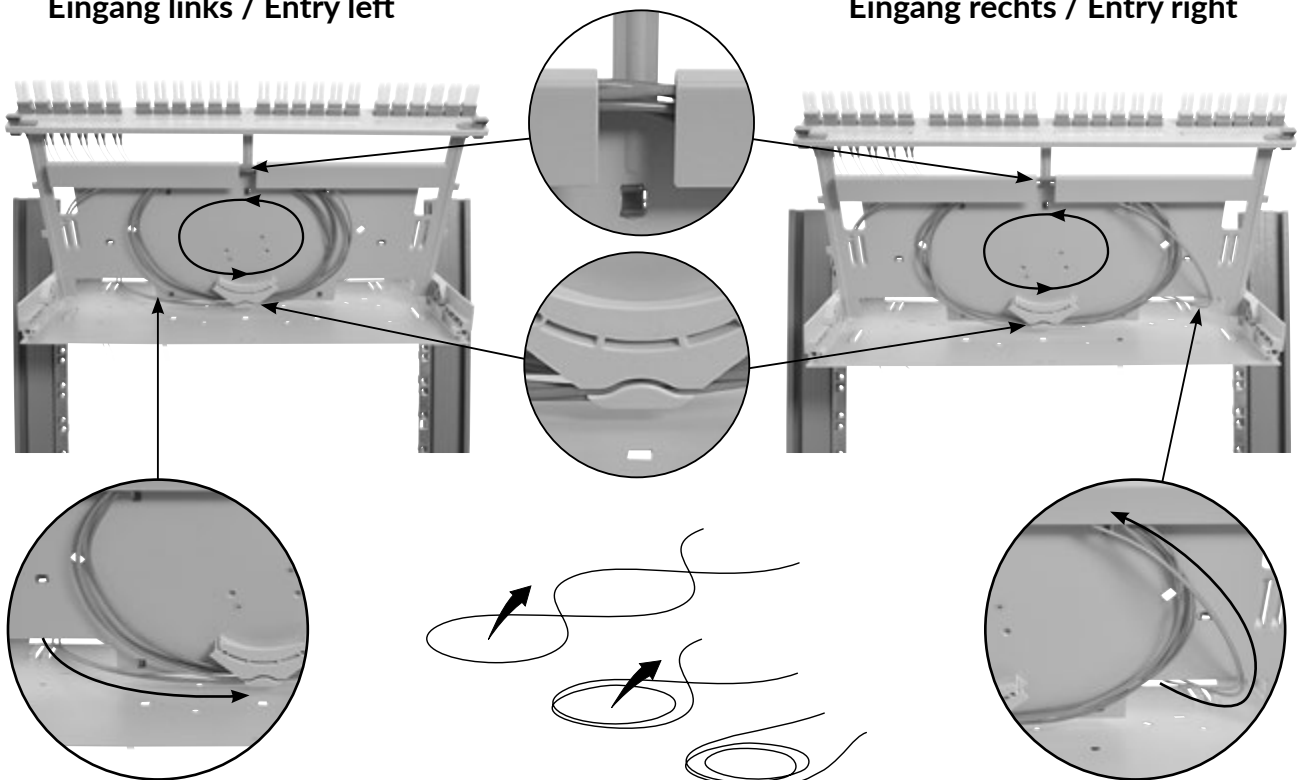
021.3058

F3

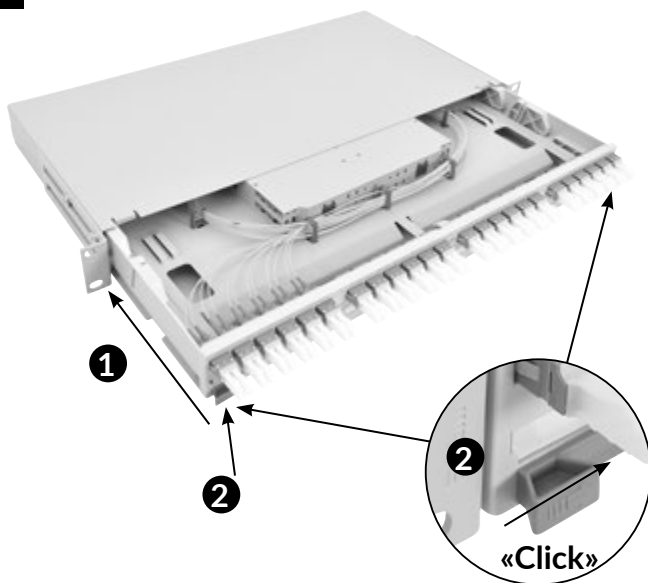
021.3209

F4

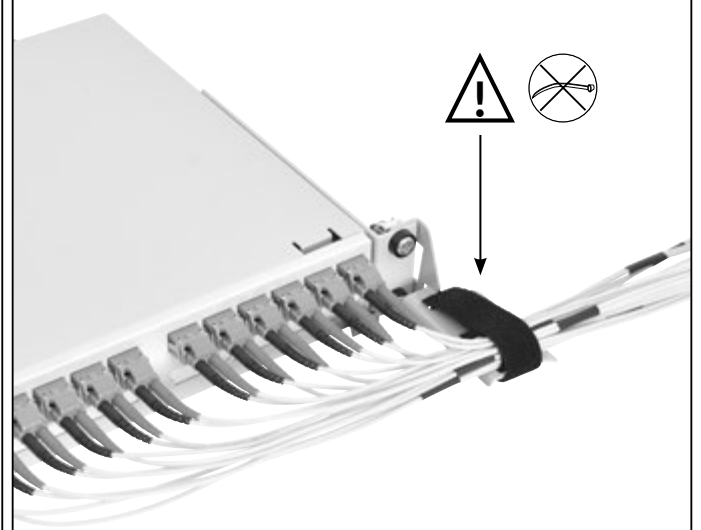
021.3208

F5**Eingang links / Entry left****Eingang rechts / Entry right**

021.3055 / 021.3057

G

021.3067 / 021.3038

H

021.3046

Devices with this accessory installed are required to comply with and be marked as specified in Code of Federal Regulations (CFR), Title 21, Part 1040, and the Canadian Radiation Emitting Devices Act, REDR C1370 if applicable. This accessory shall only be used with UL Listed ITE equipment.

Please note:

This guide shows the best practices for installation **ONLY**. R&M expressly disclaims all liability for any damage to material, equipment, and for any injury or death. Legal health and safety regulations should have priority over best practices as shown in this guide. R&M does not guarantee this guide to be free of errors. Products included may vary from products shown. Please exercise caution.

Headquarters**Switzerland**

Reichle & De-Massari AG

Binzstrasse 32

CHE-8620 Wetzikon

Telephone HQ

+41 (0)44 933 81 11

Telefax HQ

+41 (0)44 930 49 41

E-Mail

hq@rdm.com

www.rdm.com**R&M**

815115/B/12.2019