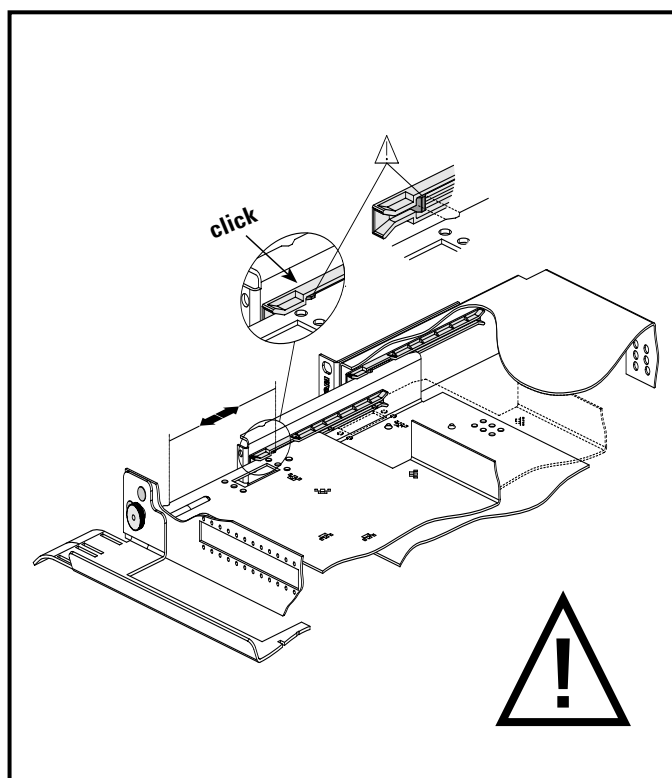
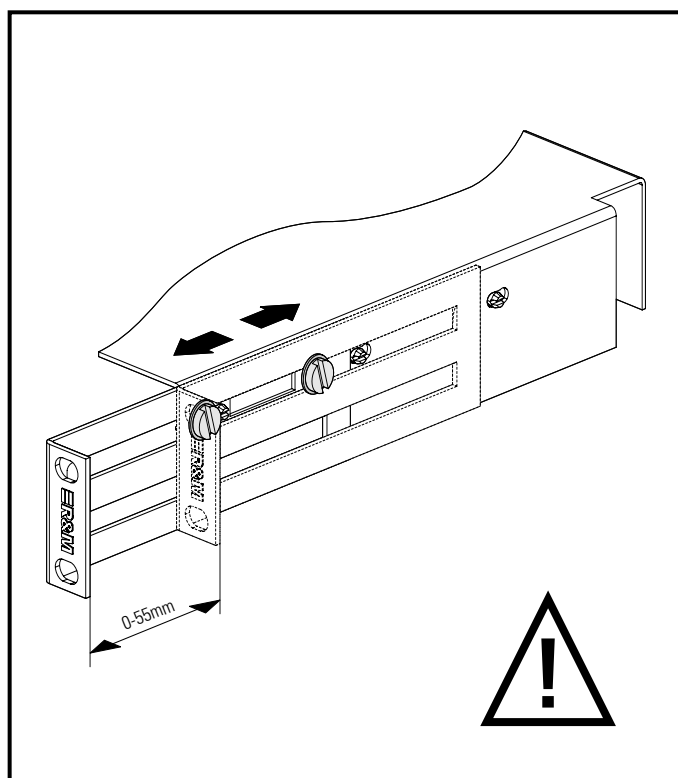
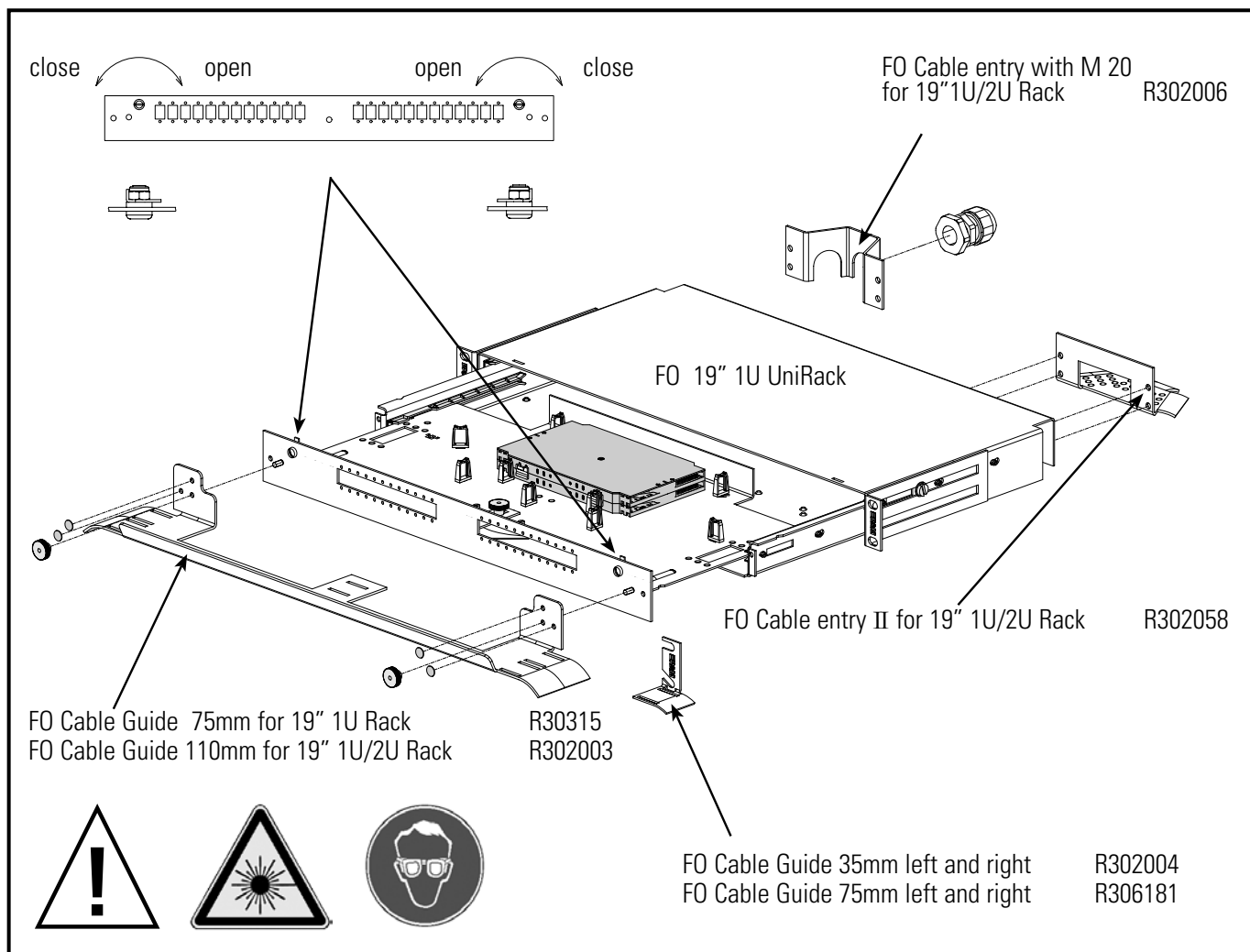
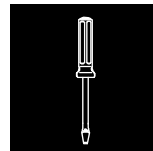
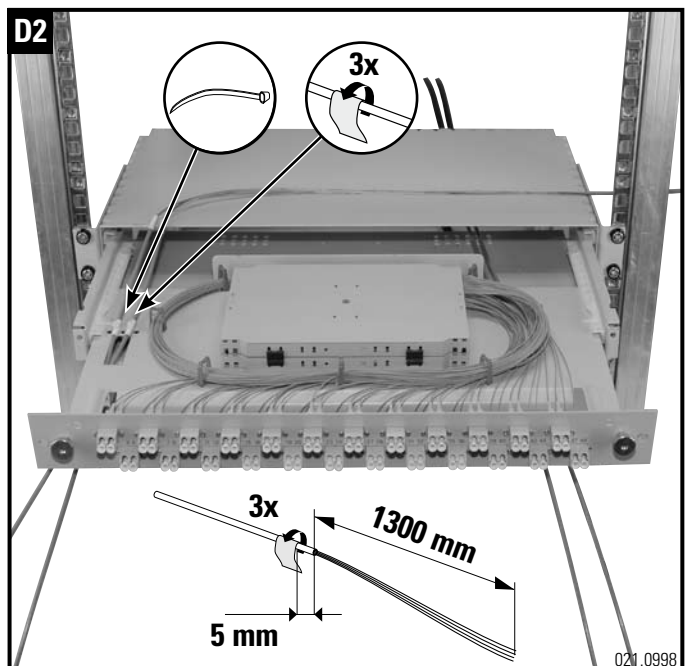
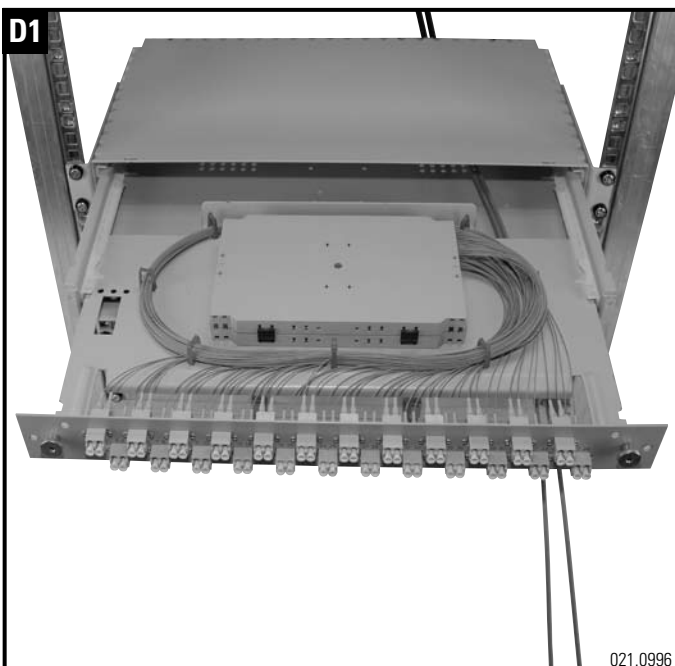
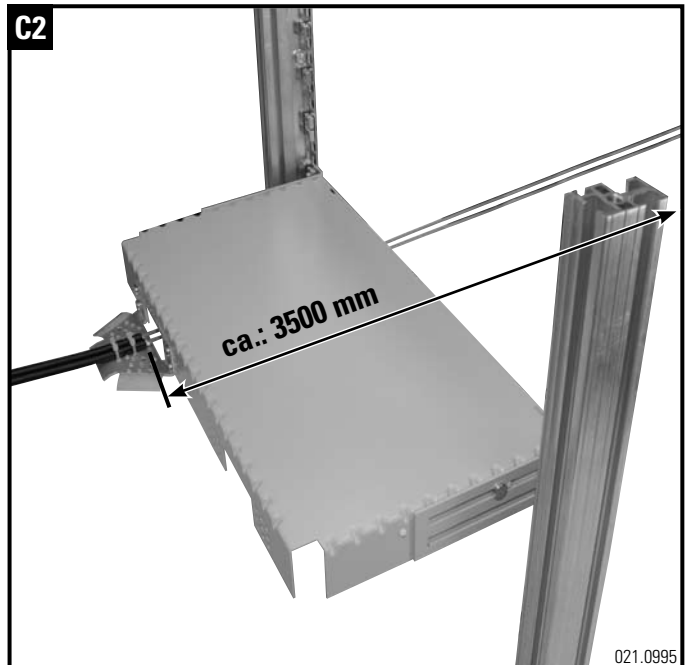
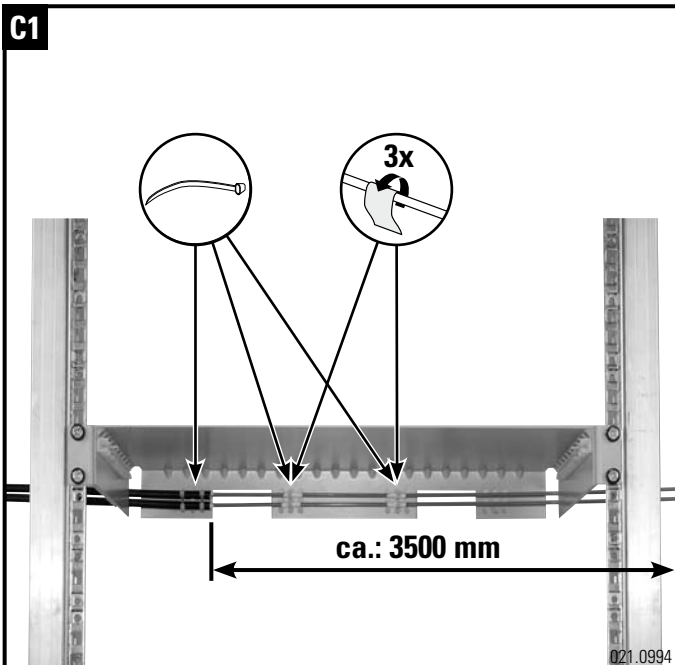
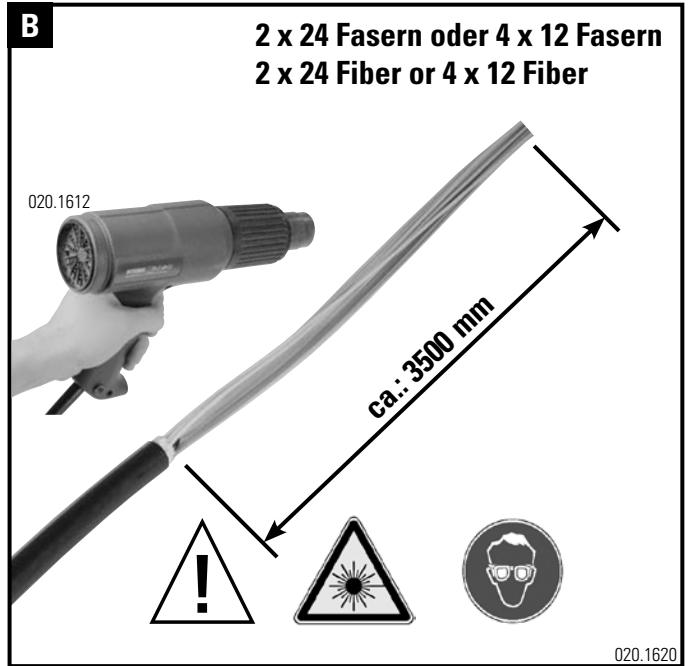
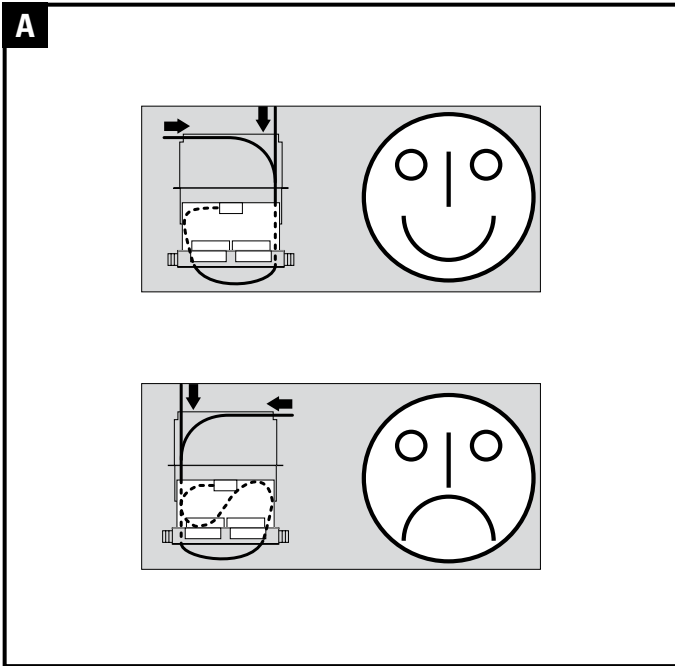


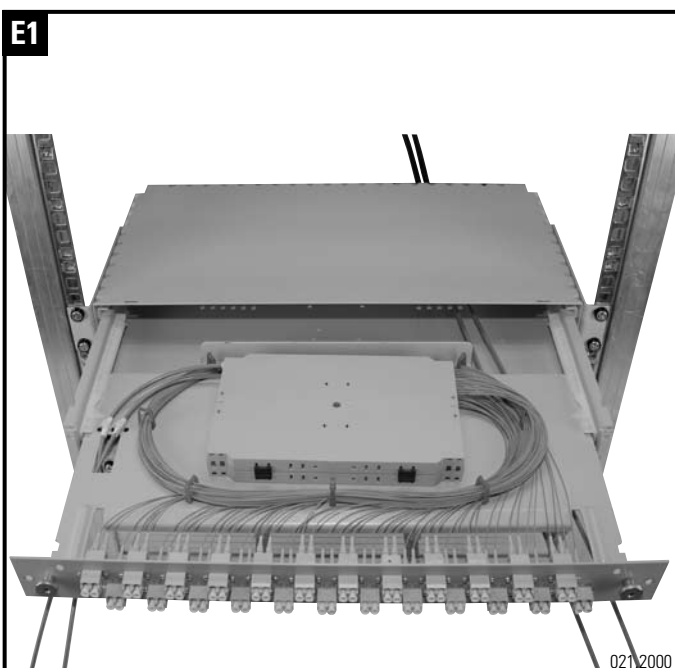
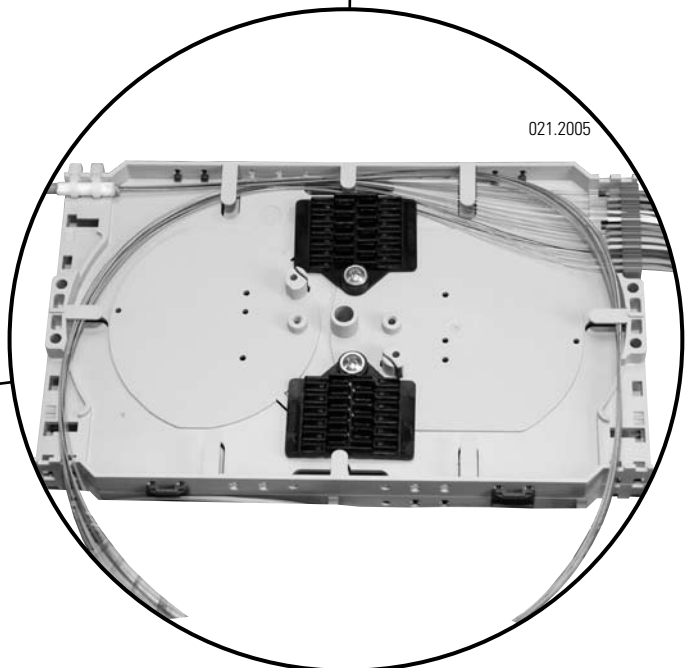
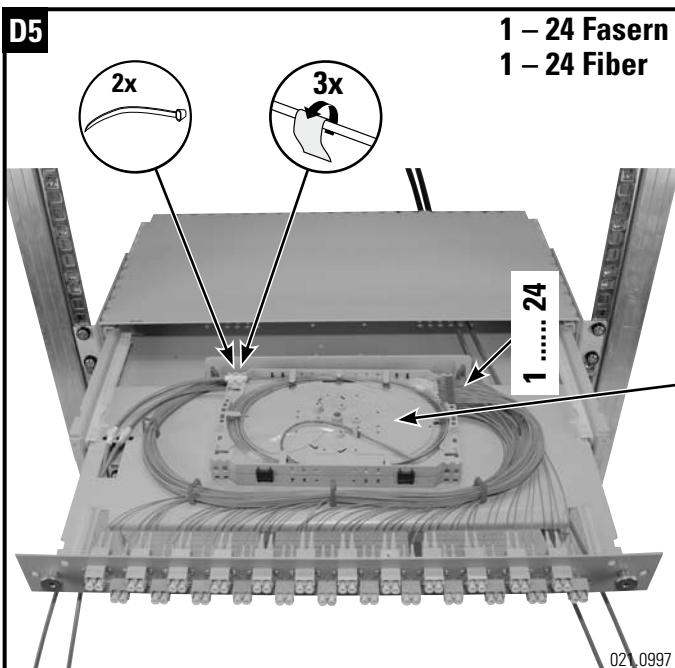
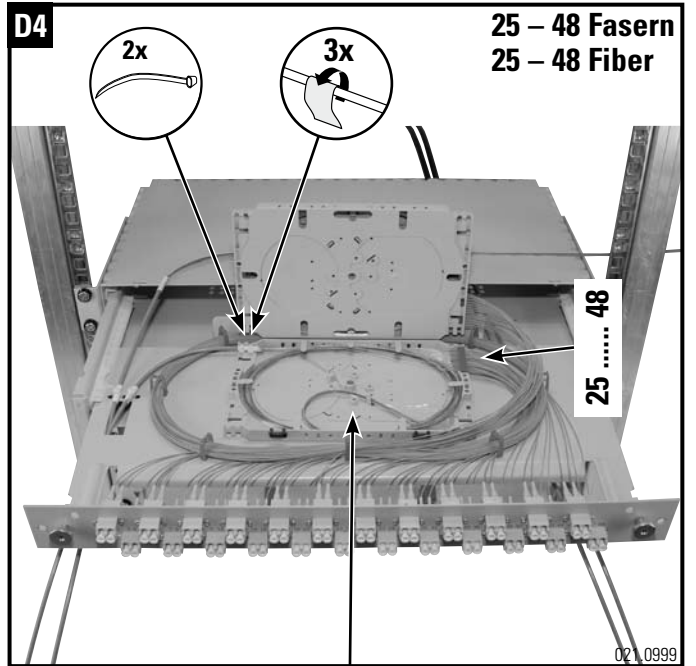
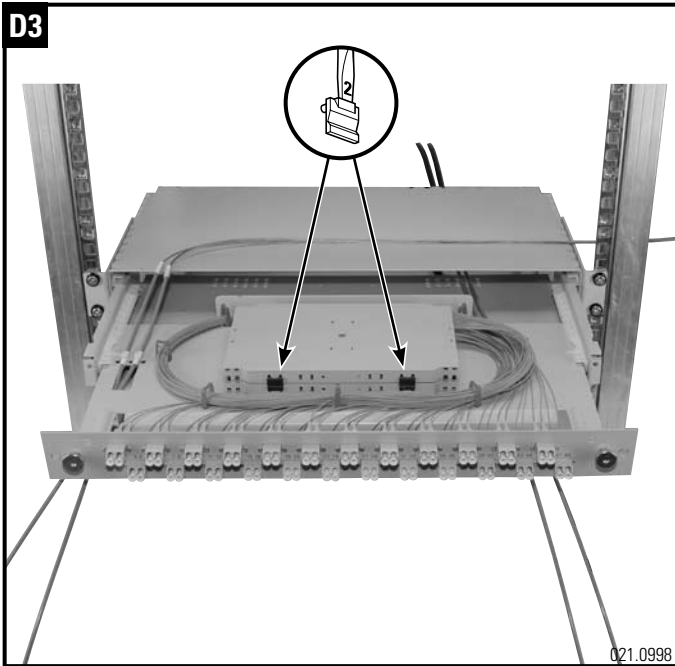
Installationsanleitung UniRack mit 24 x LCduz

Installation guide UniRack with 24 x LCduz

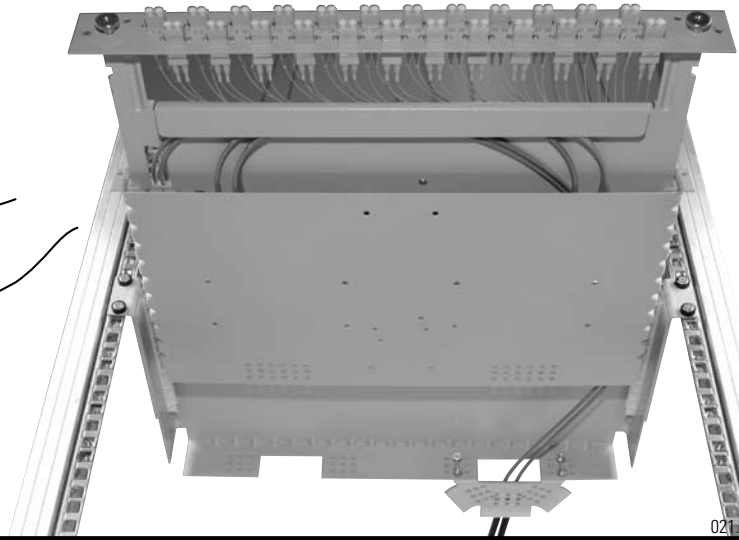
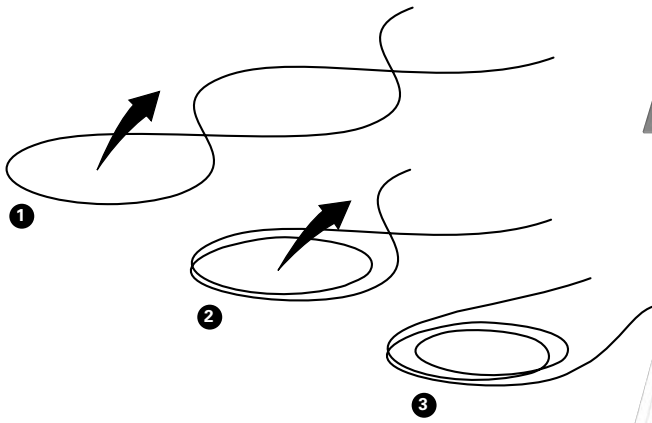
Instructions de montage UniRack avec 24 x LCduz





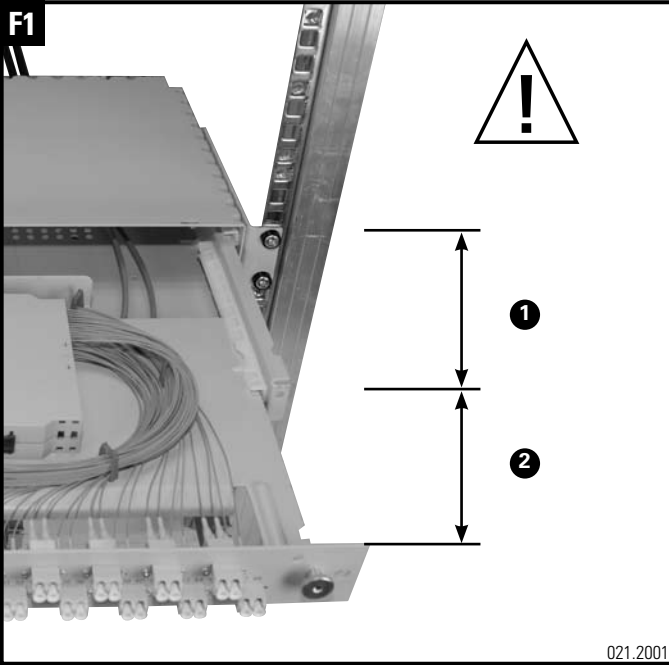


E2



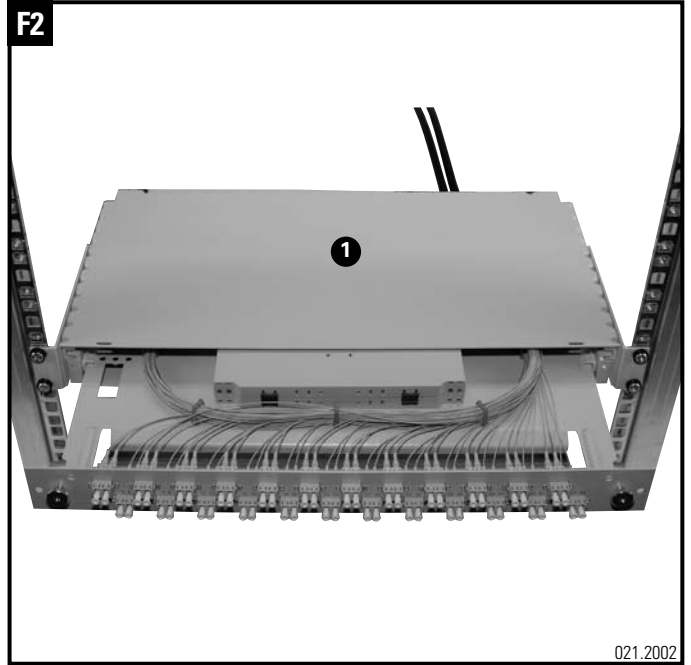
021.2003

F1



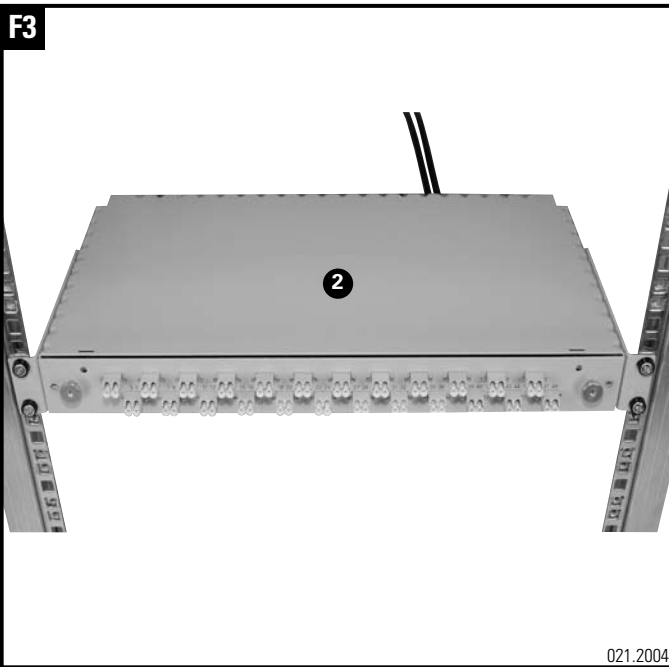
021.2001

F2



021.2002

F3



021.2004

Devices with this accessory installed are required to comply with and be marked as specified in Code of Federal Regulations (CFR), Title 21, Part 1040, and the Canadian Radiation Emitting Devices Act, REDR C1370 if applicable
 This accessory shall only be used with UL Listed ITE equipment

Headquarters

Switzerland

Reichle & De-Massari AG
 Binzstrasse 32
 CHE-8620 Wetzikon
 Telephone HQ +41 (0)44 933 81 11
 Telefax HQ +41 (0)44 930 49 41
 E-Mail hq@rdm.com

www.rdm.com



507016/C/08.2012