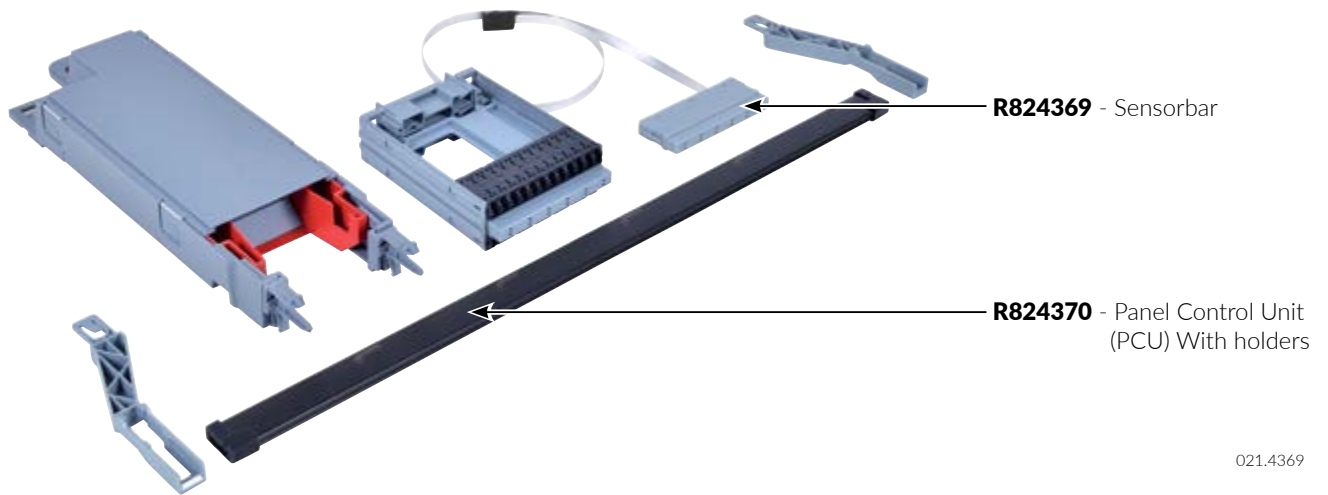
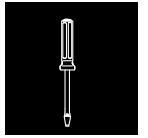
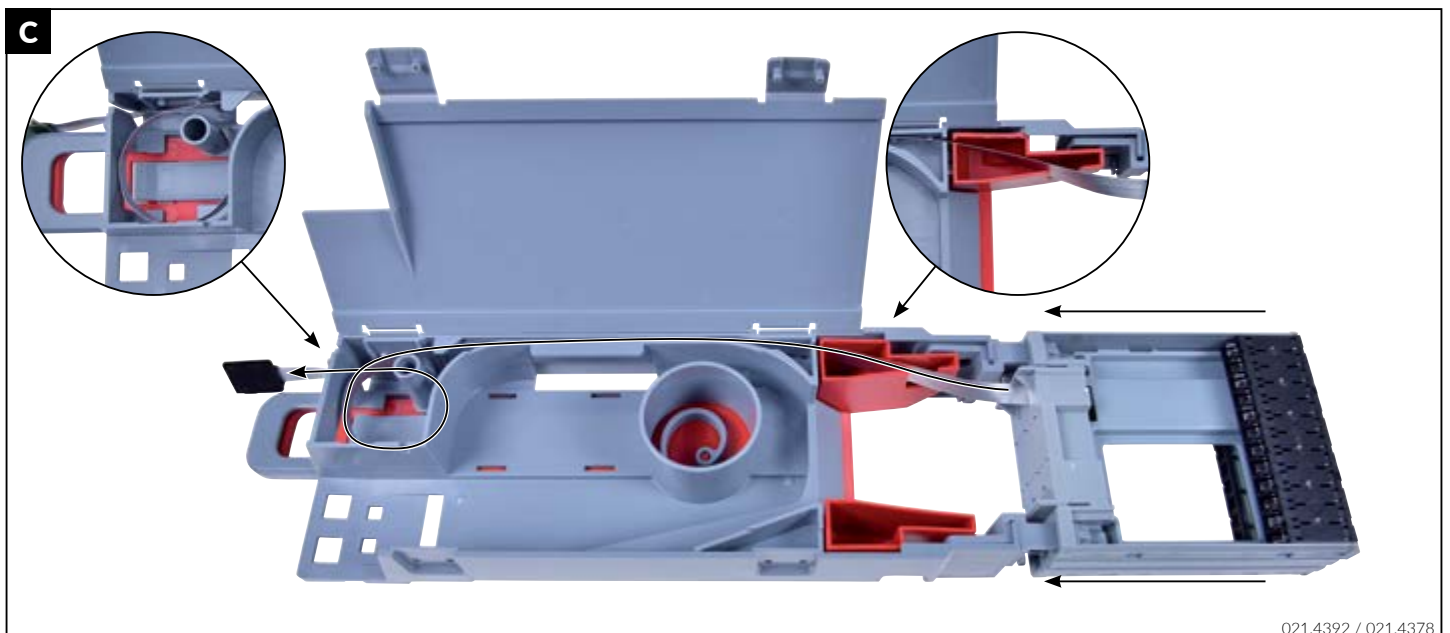
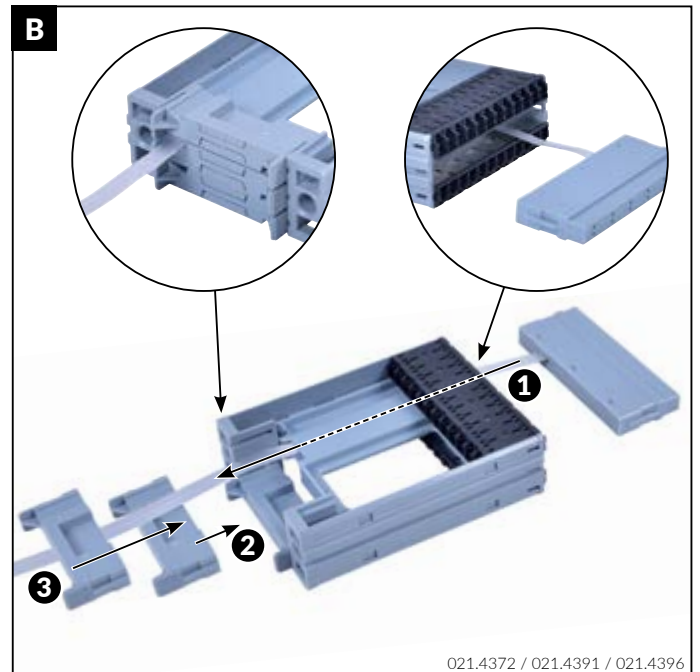
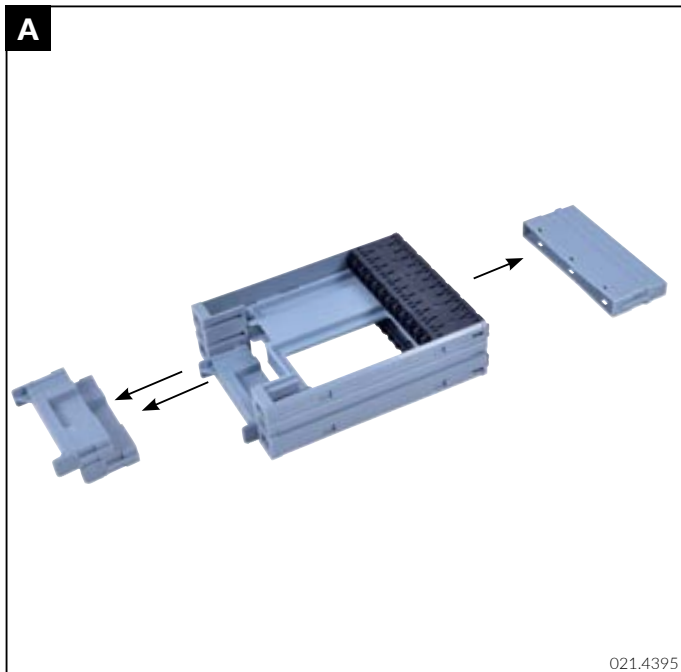
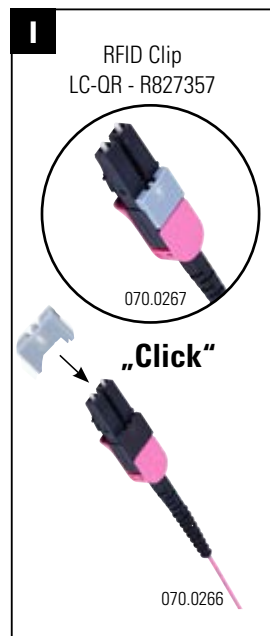
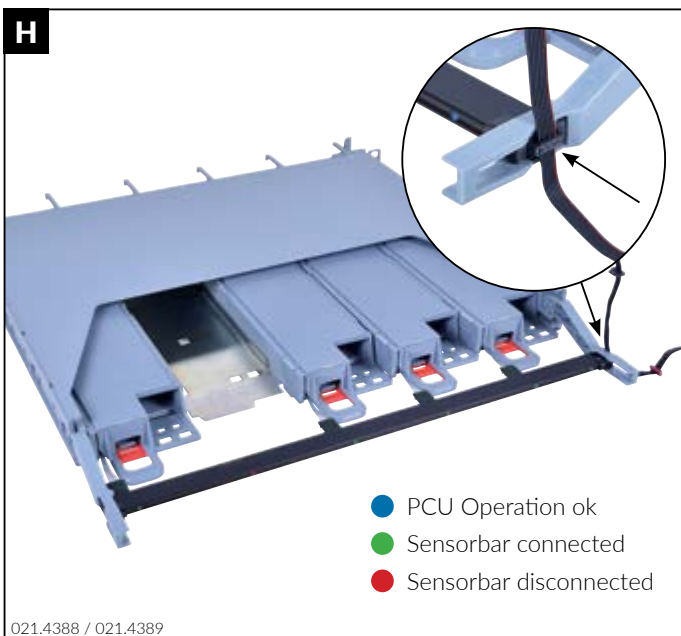
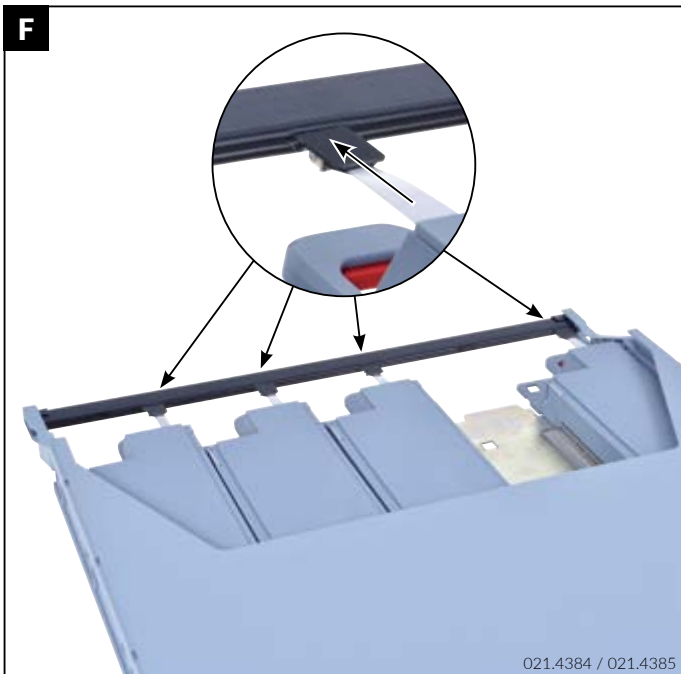
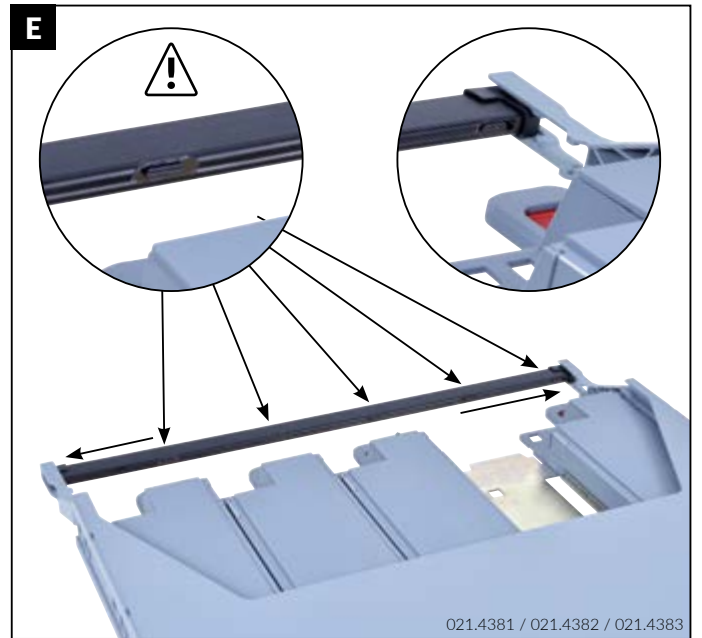
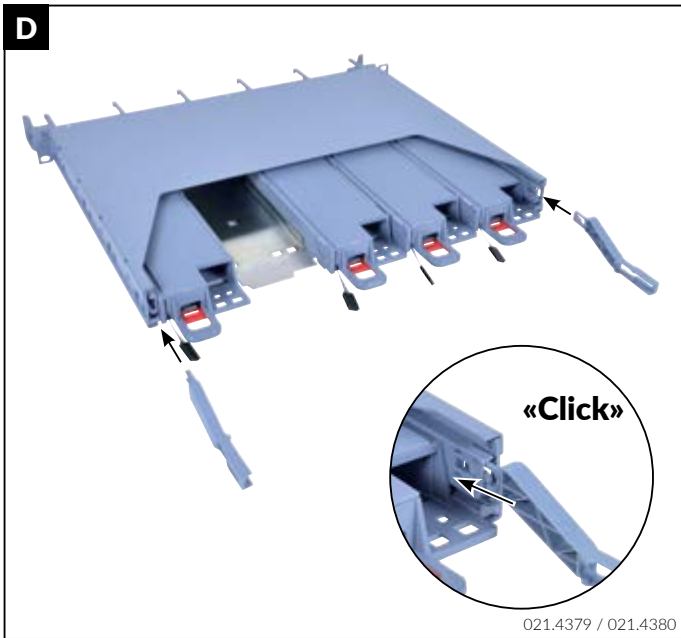


# Installationsanleitung R&MinteliPhy für Netscale Installation Guide R&MinteliPhy for Netscale Instructions de montage R&MinteliPhy pour Netscale



021.4369





**NOTICE:**

This device complies with Part 15 of the FCC Rules. Operation is subject to the following two conditions:

- this device may not cause harmful interference, and
- this device must accept any interference received, including interference that may cause undesired operation.

Changes or modifications made to this equipment not expressly approved by Reichle & De-Massari AG may void the FCC authorization to operate this equipment.

**Headquarters**

**Switzerland**

Reichle & De-Massari AG  
Binzstrasse 32  
CHE-8620 Wetzikon

Telephone HQ +41 44 933 81 11  
Telefax HQ +41 44 930 49 41  
E-Mail hq@rdm.com

[www.rdm.com](http://www.rdm.com)

