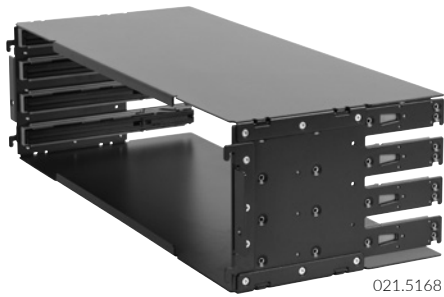
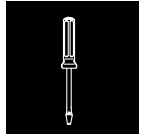
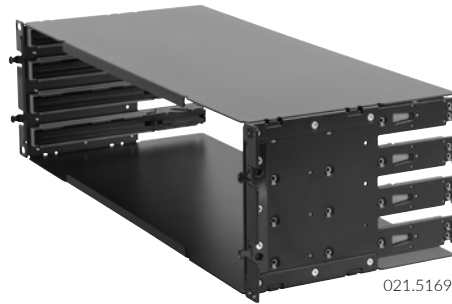


**Installationsanleitung PRIME-3HE-Sub-Rack**  
**Installation guide PRIME-3U-Sub-Rack**  
**Instructions de montage PRIME-3U-Sub-Rack**



PRIME-3U-Sub-Rack  
ETSI-empty

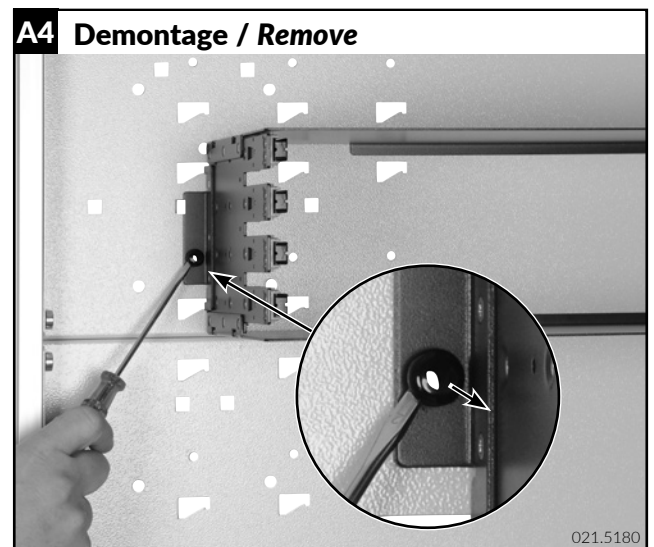
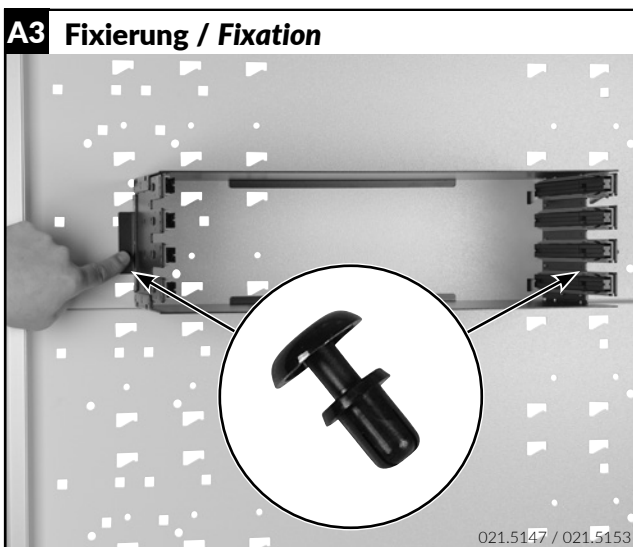
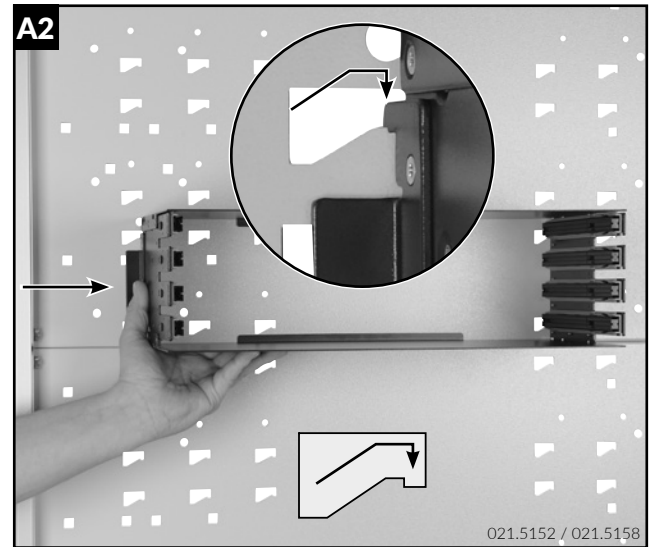
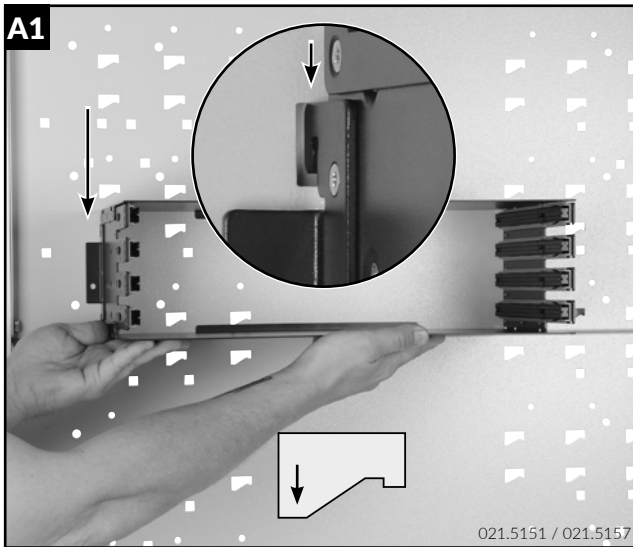


PRIME-3U-Sub-Rack  
19"-FM-empty



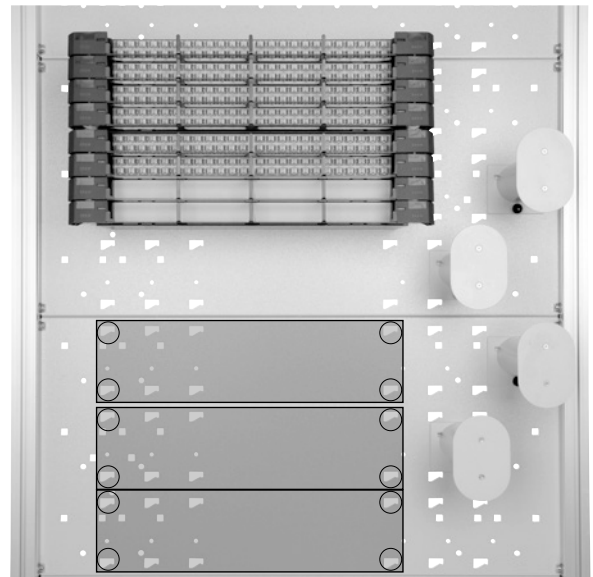
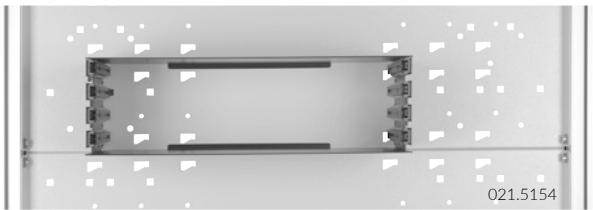
PRIME-3U-Sub-Rack  
19"-BM-empty

**A - Montage im PRIME-Gestell / Mounting in PRIME-Cabinet**

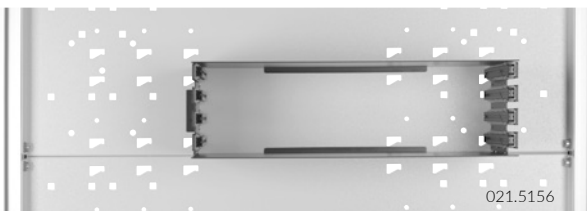


**A5** Position im PRIME-Gestell / *Position in PRIME-Cabinet*

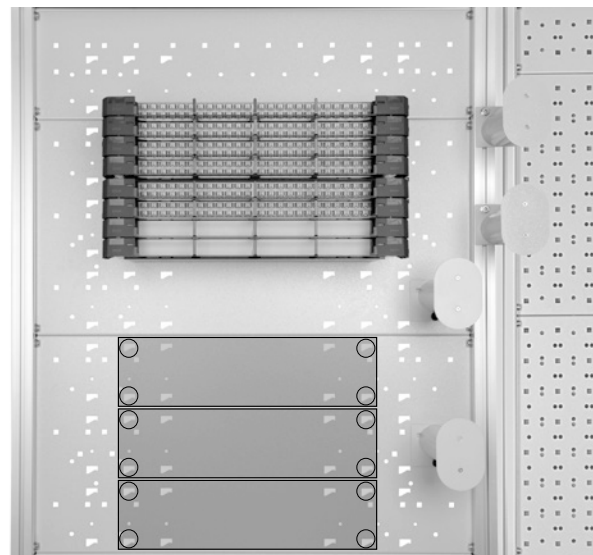
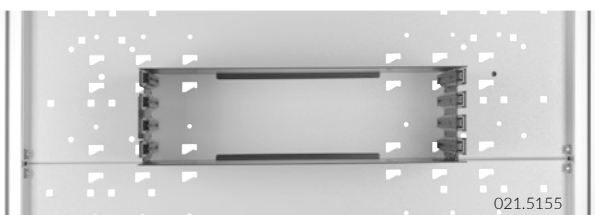
Montage links / *Mounting left*



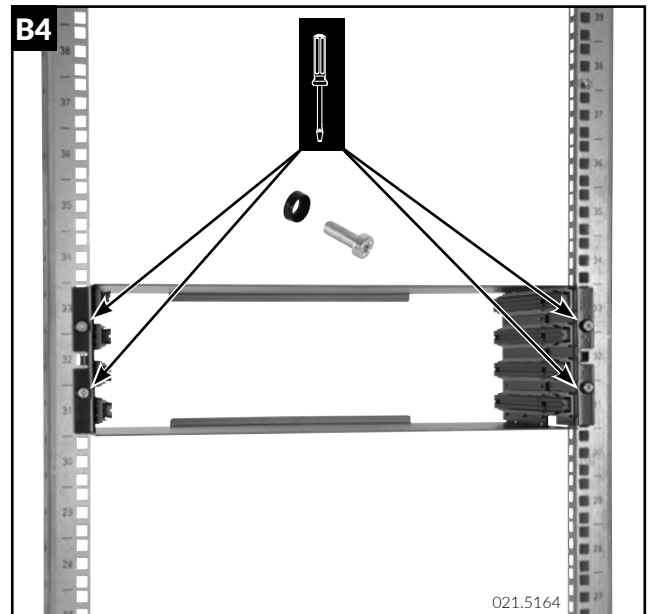
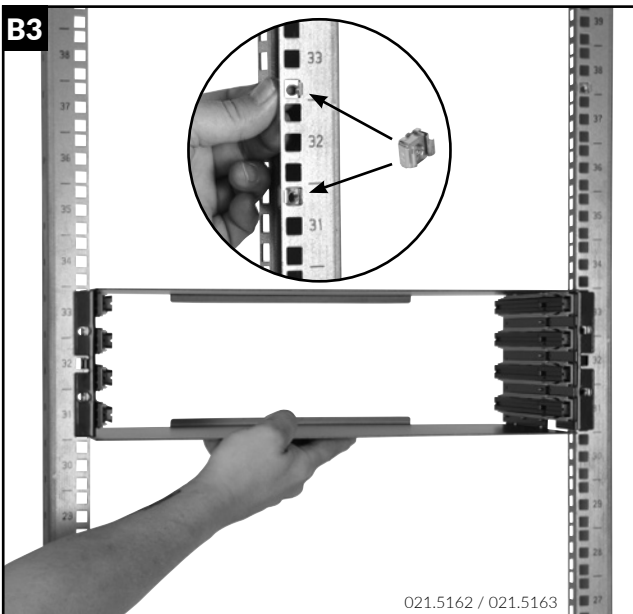
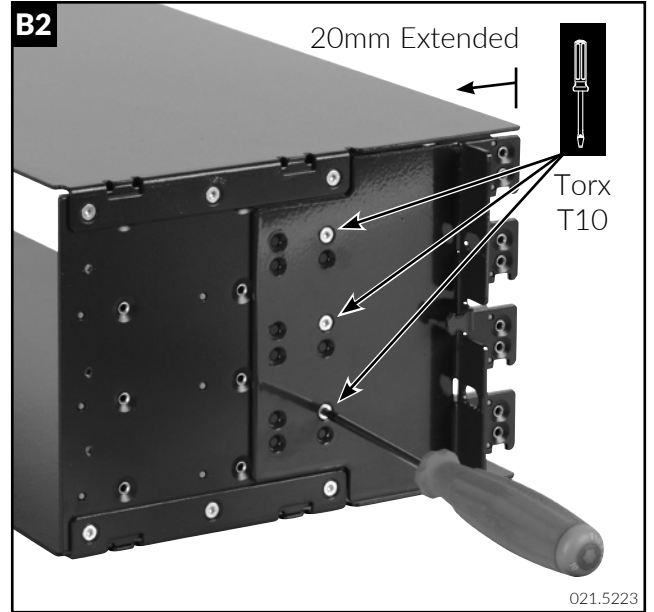
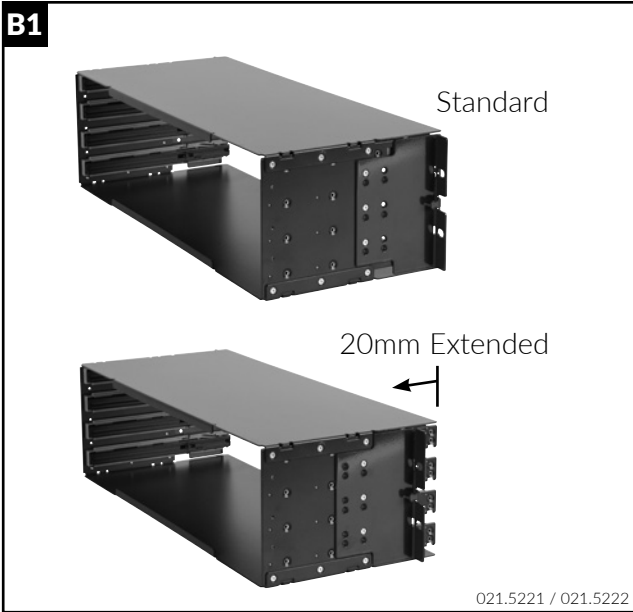
Montage rechts / *Mounting right*



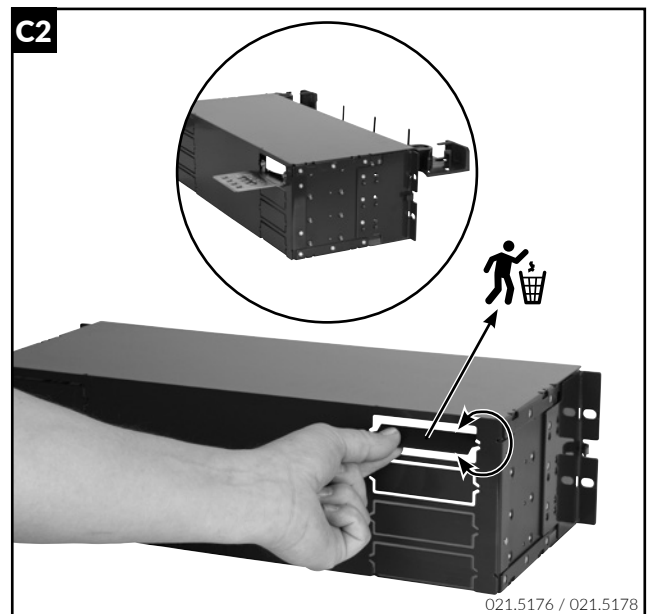
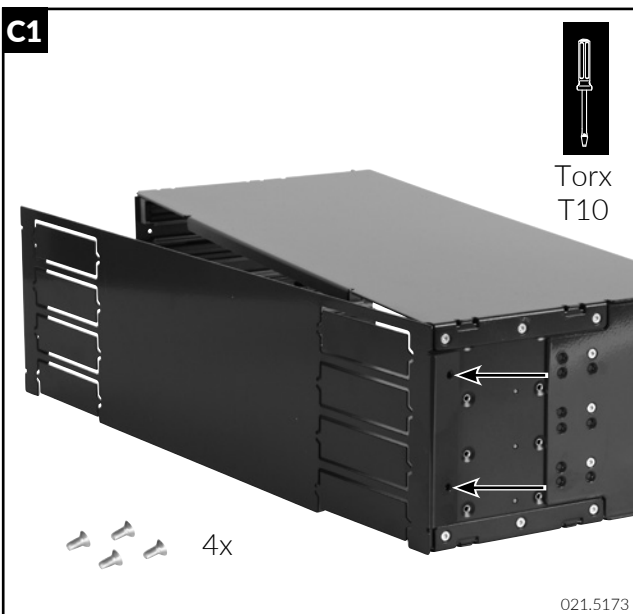
Montage mitte / *Mounting center*



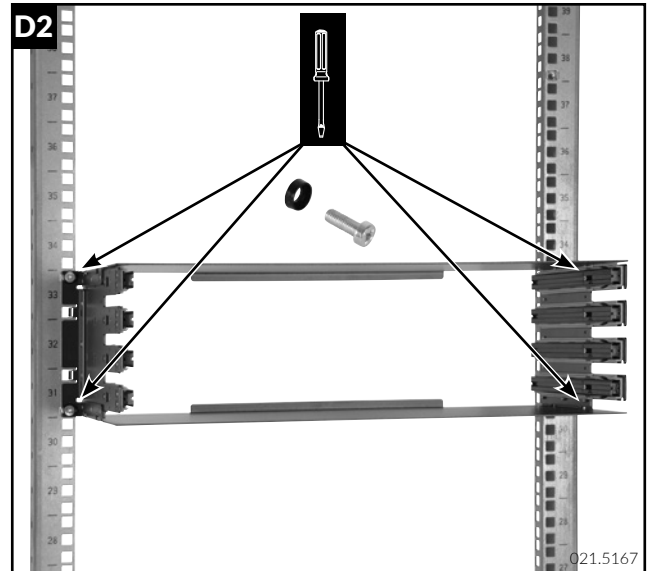
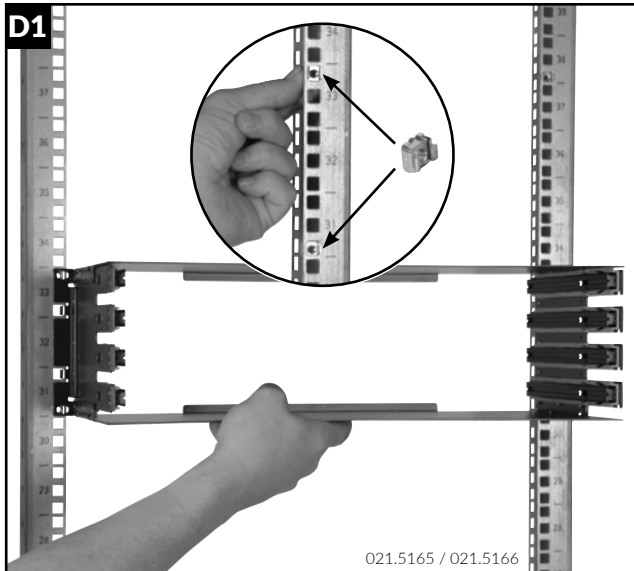
**B - Montage im 19" Gestell mit frontseitiger Befestigung / Mounting in 19" Cabinet with front rail fixation**



**C - Rückseite Deckel (OPTIONAL) / Back cover (OPTIONAL)**



## D – Montage im 19" Gestell mit rückseitiger Befestigung / Mounting in 19" Cabinet with back rail fixation



### Headquarters

#### Switzerland

Reichle & De-Massari AG

Binzstrasse 32

CHE-8620 Wetzikon

Telephone HQ +41 (0)44 933 81 11

Telefax HQ +41 (0)44 930 49 41

E-Mail [hq@rdm.com](mailto:hq@rdm.com)

[www.rdm.com](http://www.rdm.com)

**R&M**

### Please note:

This guide shows the best practices for installation **ONLY**. R&M expressly disclaims all liability for any damage to material, equipment, and for any injury or death. Legal health and safety regulations should have priority over best practices as shown in this guide. R&M does not guarantee this guide to be free of errors. Products included may vary from products shown. Please exercise caution.