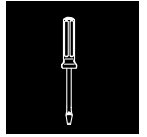


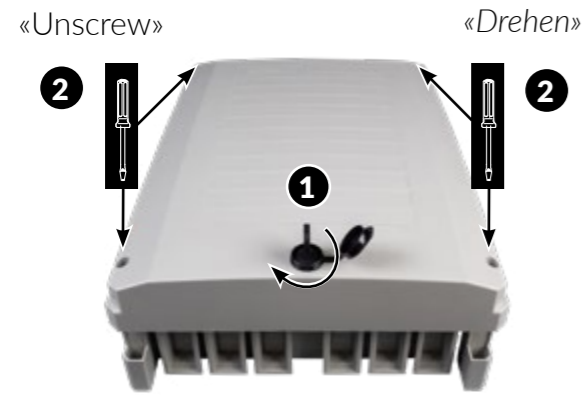
Installationsanleitung Polaris-box 36
Installation guide Polaris-box 36
Instructions de montage Polaris-box 36



030.6572

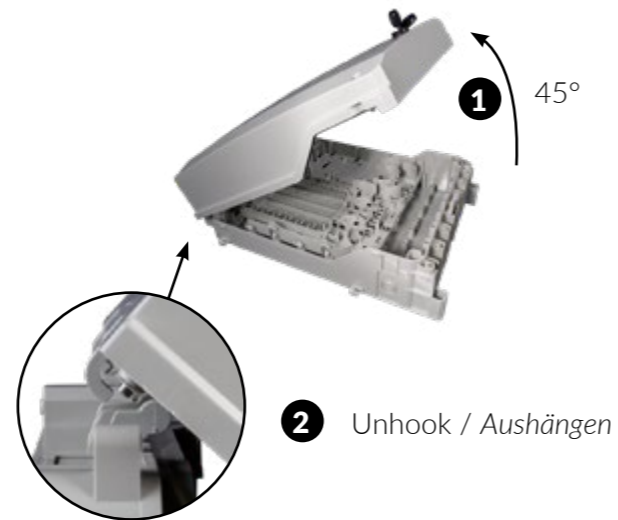
A - Preparation / Vorbereitung

A1 Open / Öffnen



030.6573

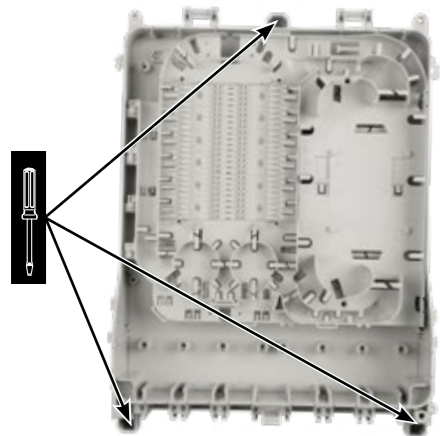
A2 Remove cover / Deckel entfernen



030.6574 / 030.6575

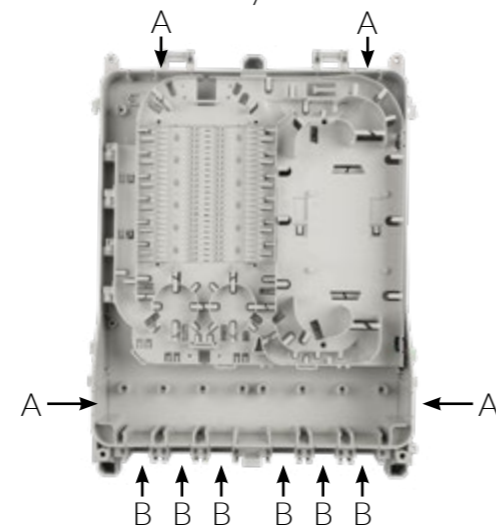
B - Cable entry / Kabel Eingang

A3 Mounting points / Montagepunkte



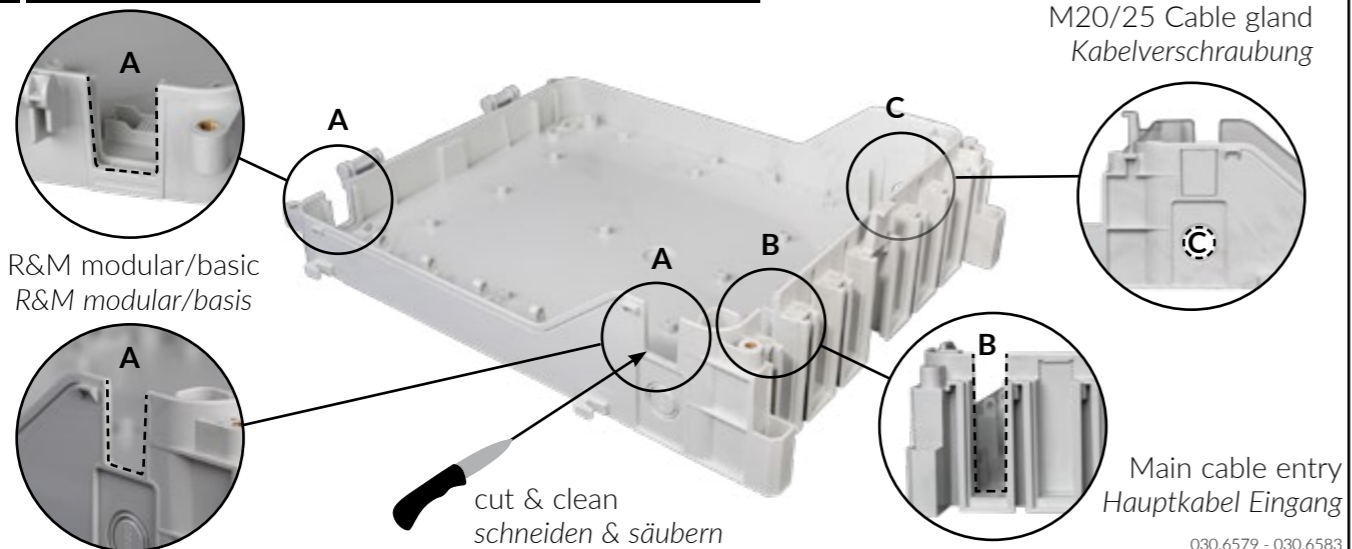
030.6556

B1 A - R&M modular / basic
B - Main cable entry



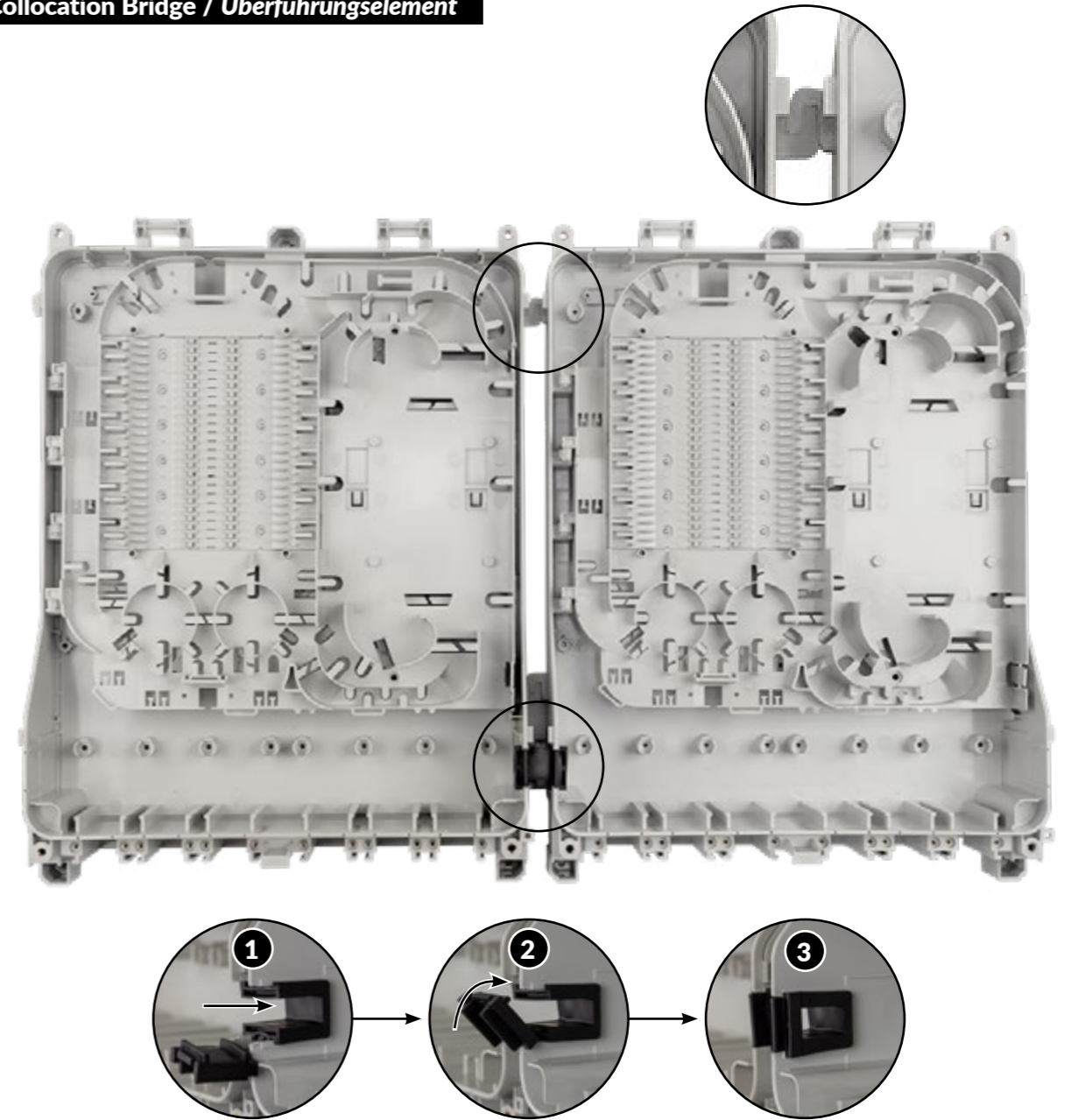
030.6556

B2 R&M Cable entry slots / R&M Kabeingang Schlitz



030.6579 - 030.6583

B3 Collocation Bridge / Überführungselement



030.6557 / 030.6576 - 030.6578

C - Main cable entry / Hauptkabel Eingang

C1 Available in Ø2-3 mm (Drop Cable)
Erhältlich für Ø2-3 mm (Drop Kabel)



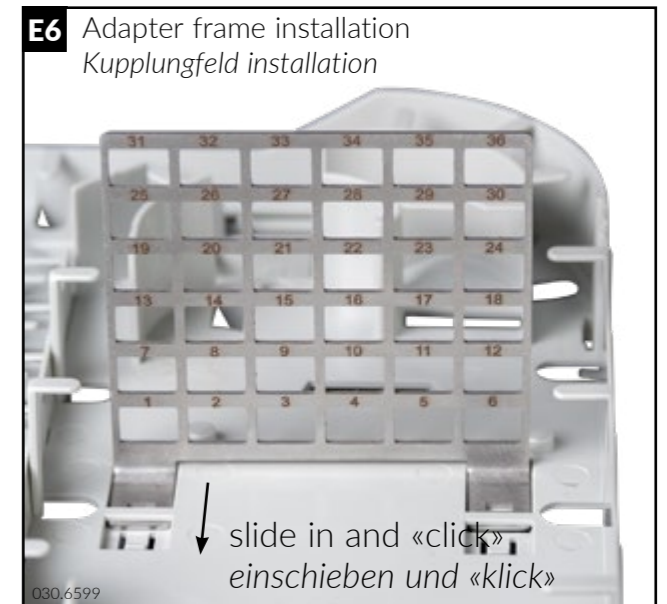
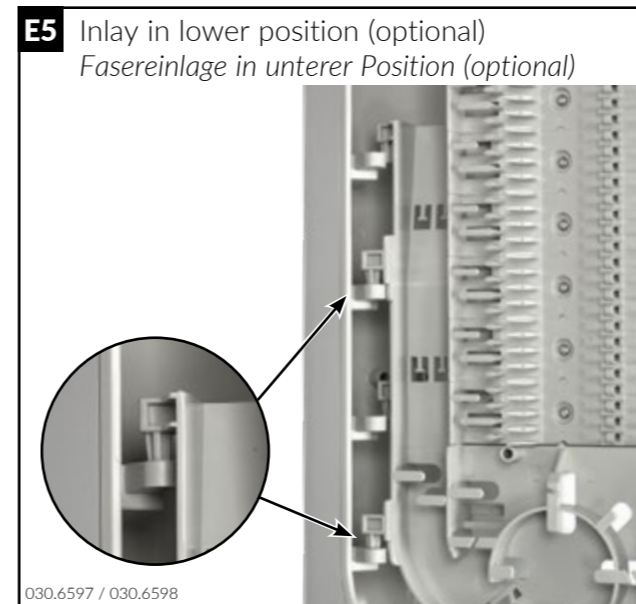
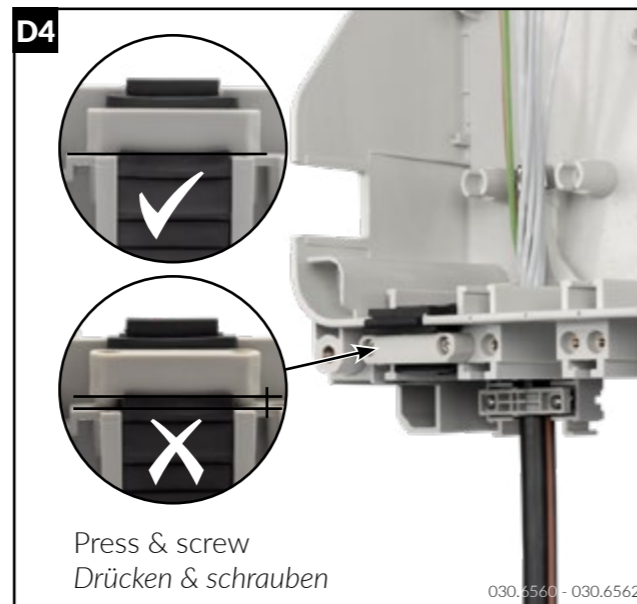
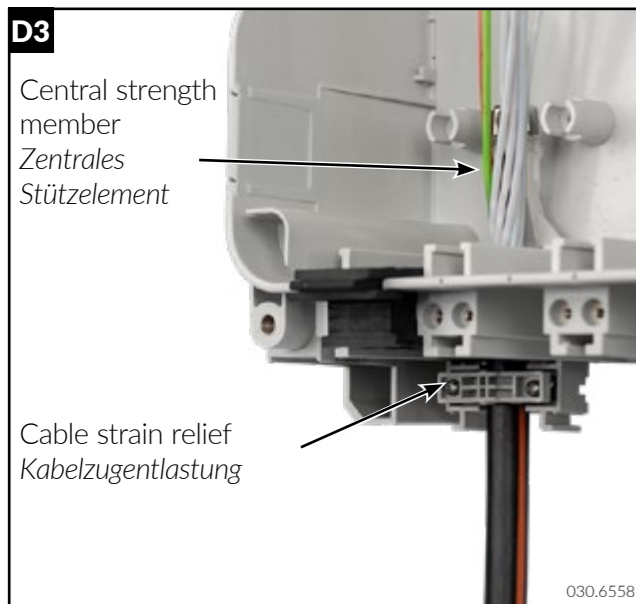
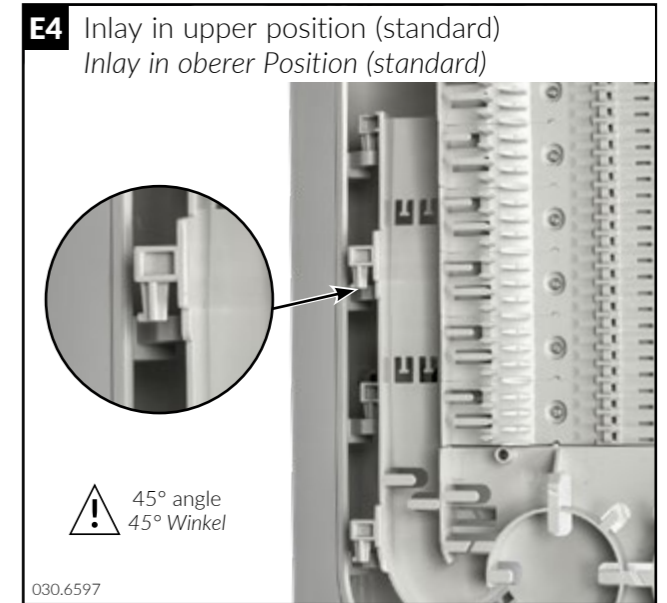
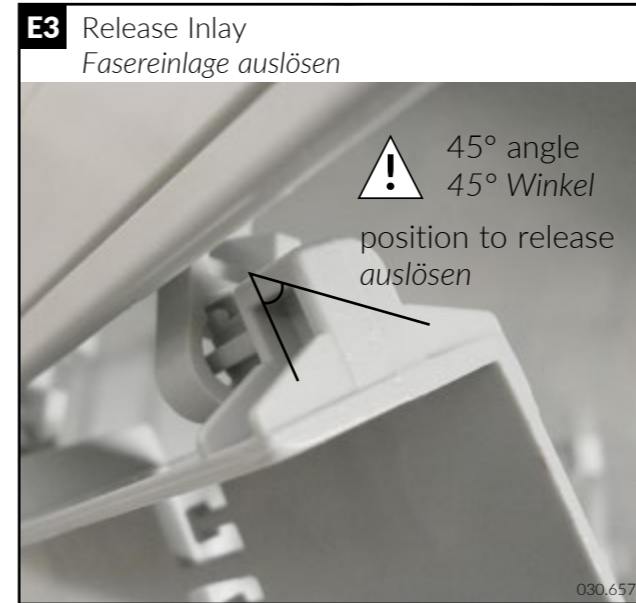
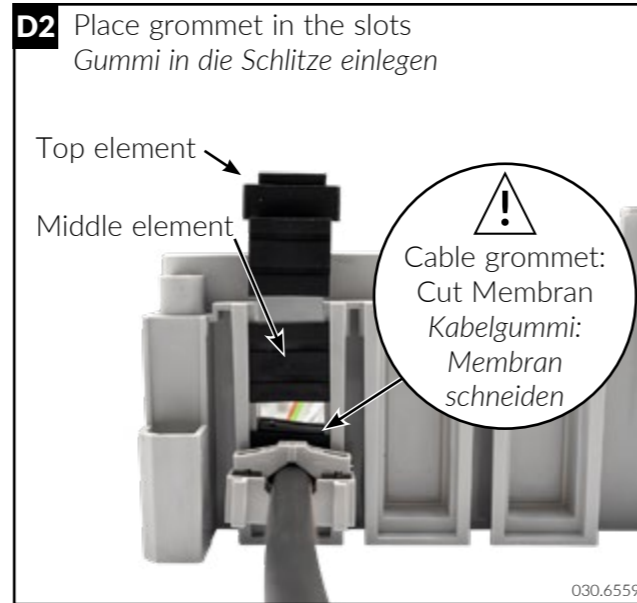
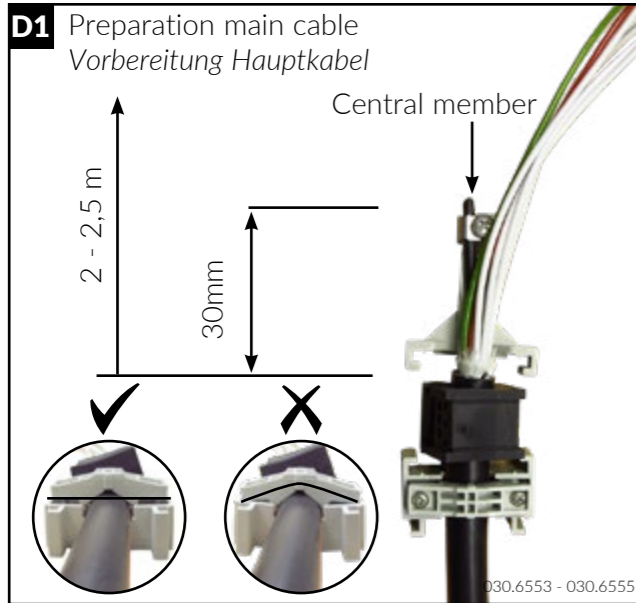
030.6586 / 030.6587

C2 Available in Ø3-16 mm (Main Cable)
Erhältlich für Ø3-16 mm (Hauptkabel)

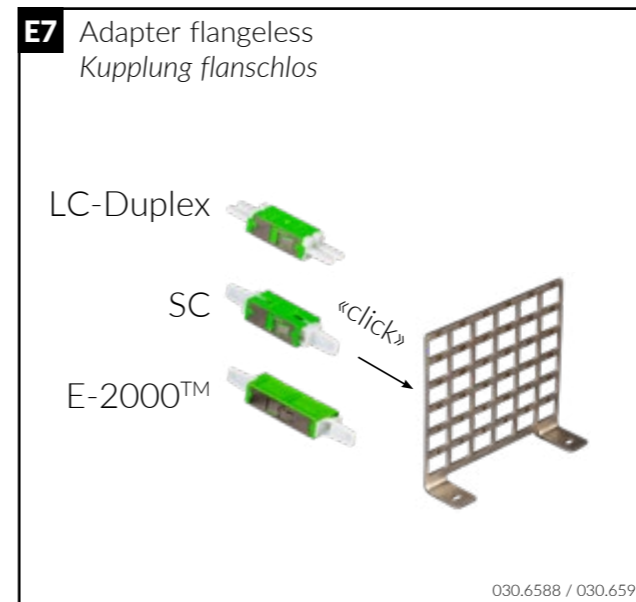
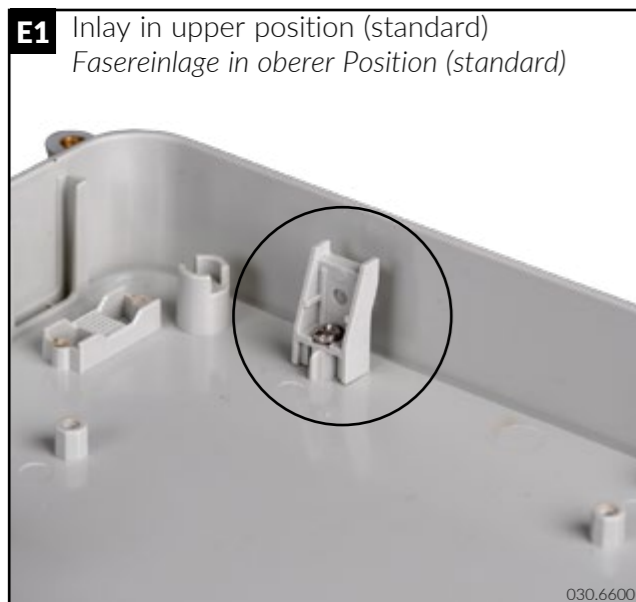


030.6584 / 030.6585

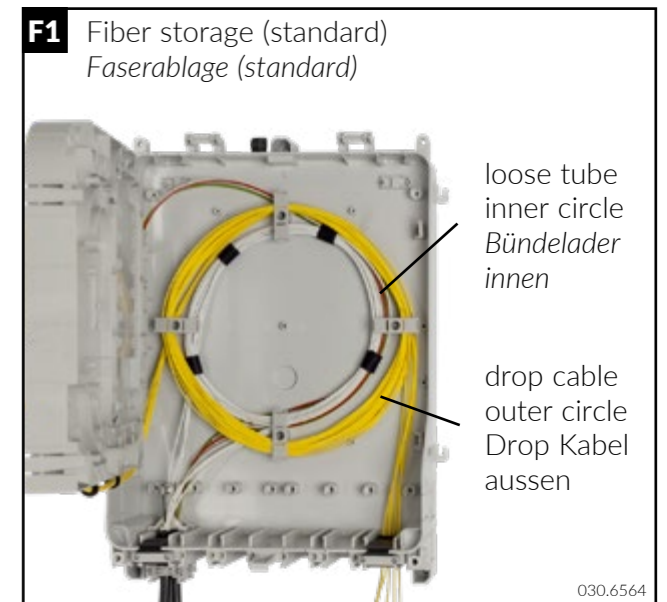
D - Installation main cable / Bereitstellung Hauptkabel

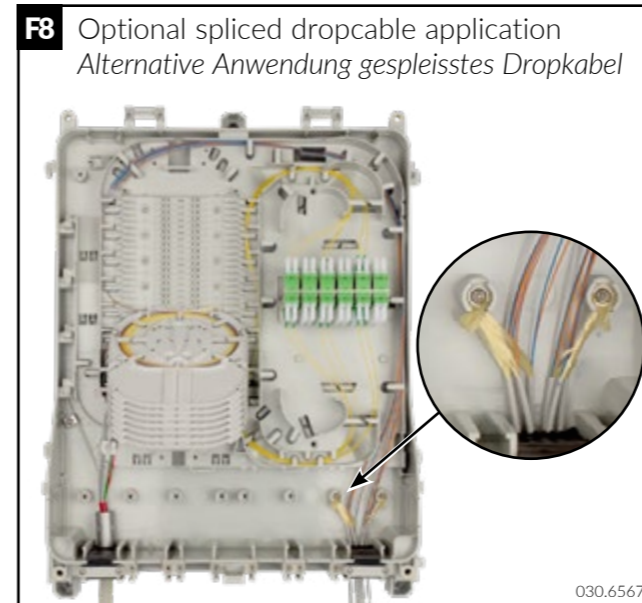
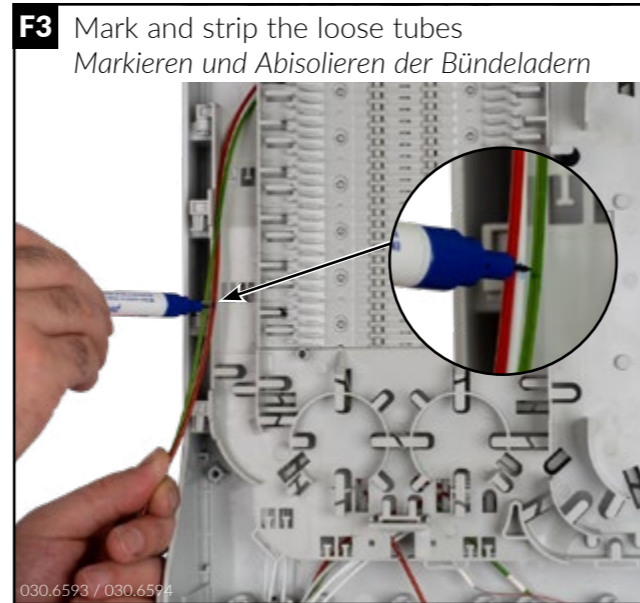
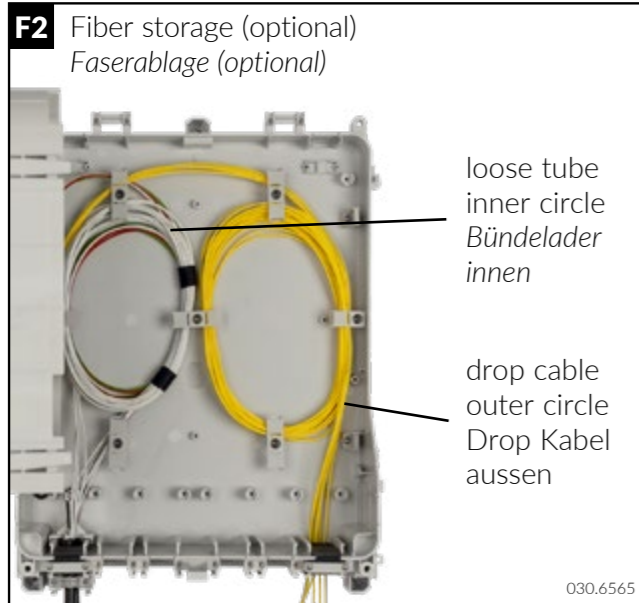


E - Fiber inlay, adapter frame, adapters / Fasereinlage, Adapterrahmen, Adapter

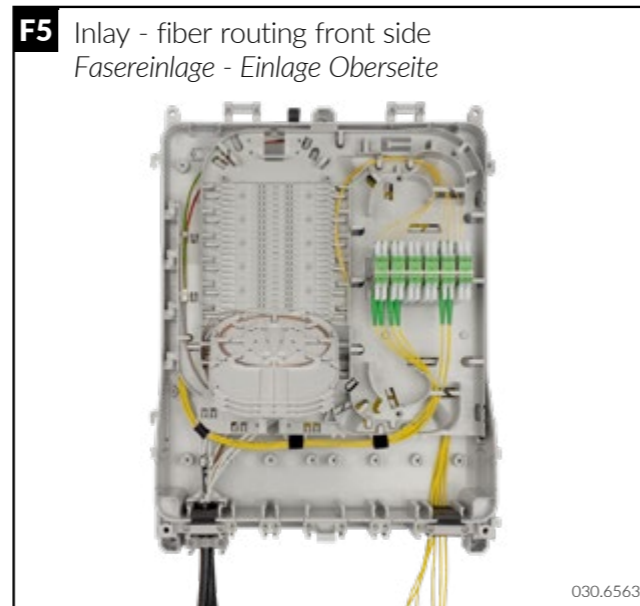
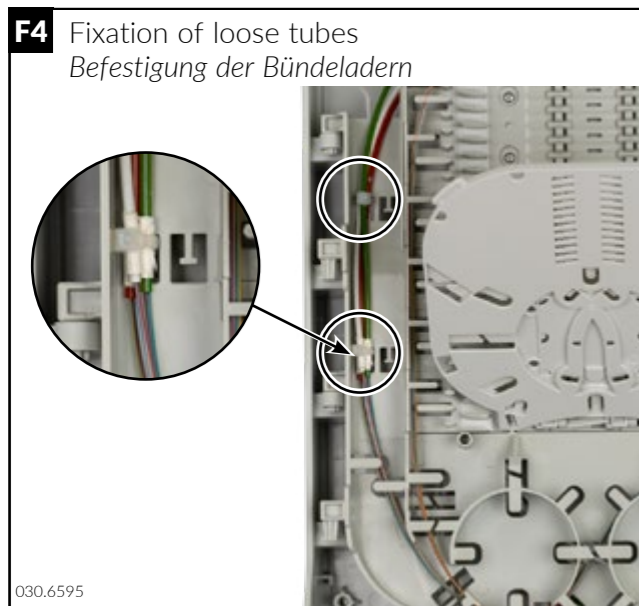


F - Cable routing / Kabelführung





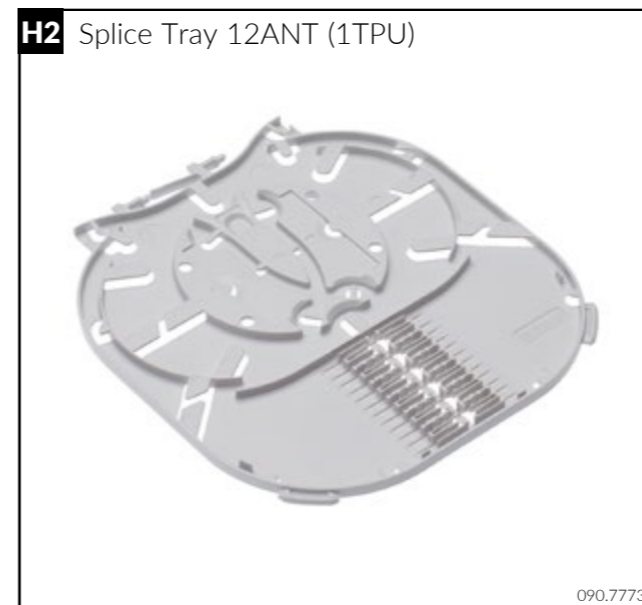
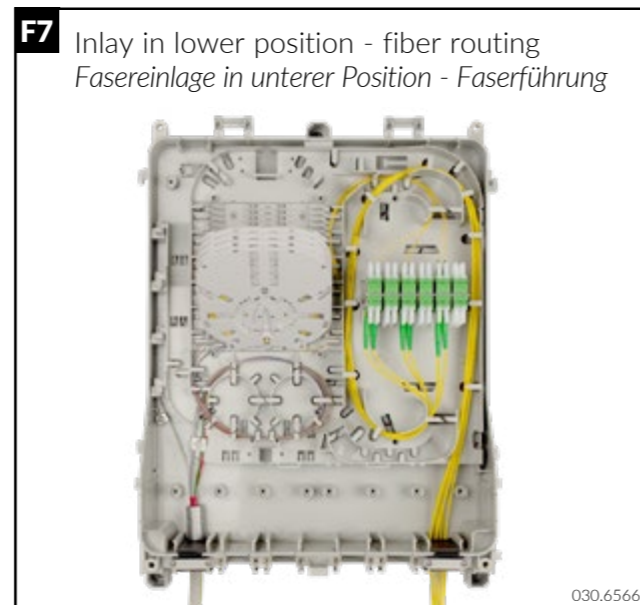
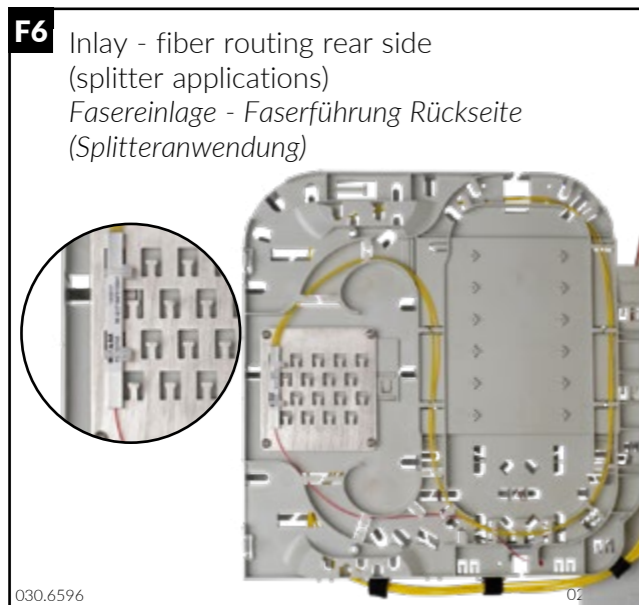
More Information for Fiber Management
Mehr Informationen zum Fasermanagement



G - Blow-in applications / Einblasanwendungen



H - Additional FMT trays / Zusätzlichen FMT Kassetten



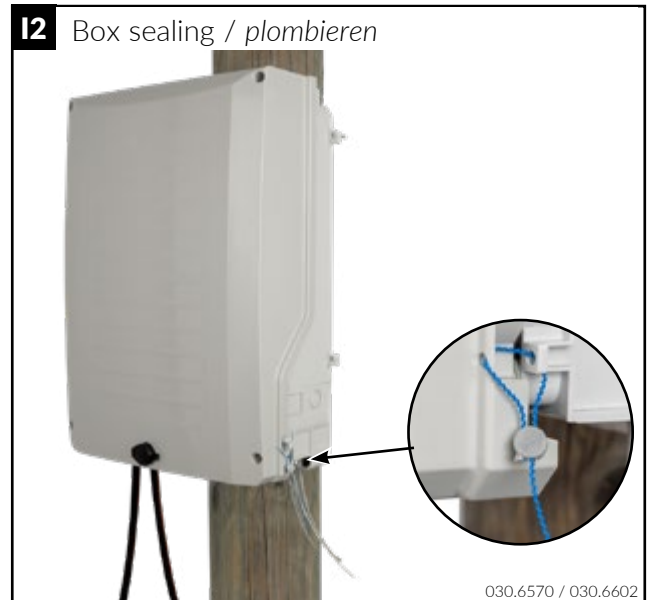
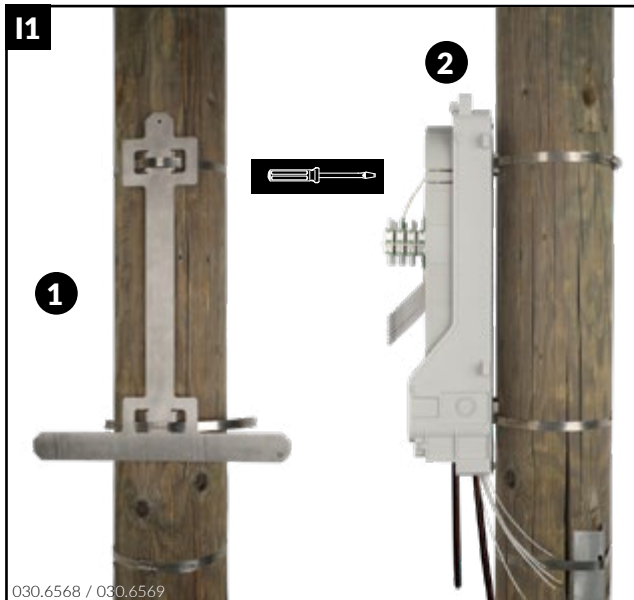
H4 Splitter Tray 2HS/2ANT (2TPU)



H5 Splice tray cover



I - Pole mounting, box sealing / Mastbefestigung, Plombierung



Headquarters

Switzerland

Reichle & De-Massari AG

Binzstrasse 32

CHE-8620 Wetzikon

Telephone HQ +41 (0)44 933 81 11

Telefax HQ +41 (0)44 930 49 41

E-Mail hq@rdm.com

www.rdm.com

R&M

Please note:

This guide shows the best practices for installation **ONLY**. R&M expressly disclaims all liability for any damage to material, equipment, and for any injury or death. Legal health and safety regulations should have priority over best practices as shown in this guide. R&M does not guarantee this guide to be free of errors. Products included may vary from products shown. Please exercise caution.