

**Installationsanleitung PRIME-ODF-Gestell**  
**Installation guide PRIME-ODF-Cabinet**  
**Instructions de montage PRIME-ODF-Cabinet**



**Standard / Flat Pack**



B x T x H / W x D x H  
900 x 300 x 2200 mm  
900 x 300 x 1800 mm

021.5279

**Standard / Flat Pack**



B x T x H / W x D x H  
300 x 300 x 2200 mm

022.0005.1

**Wandgestell / Wall cabinet  
Standard**



B x T x H / W x D x H  
900 x 300 x 1200 mm

021.5277

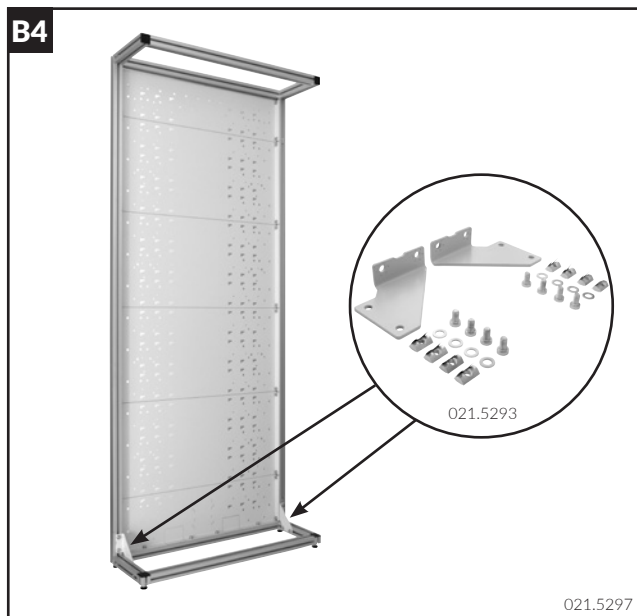
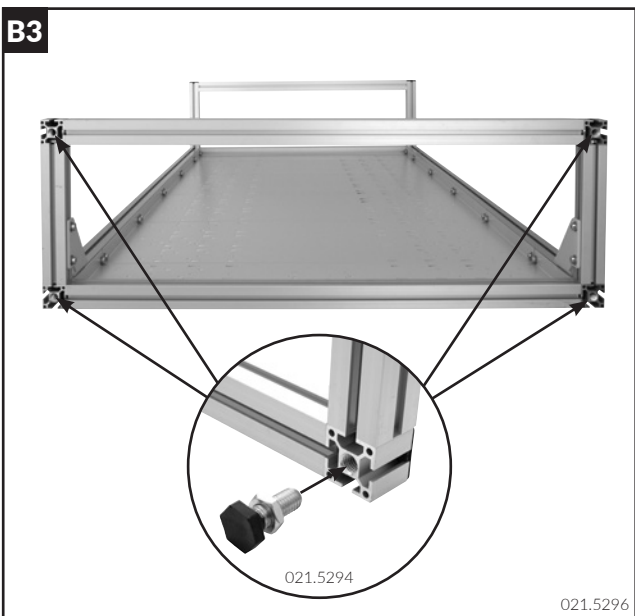
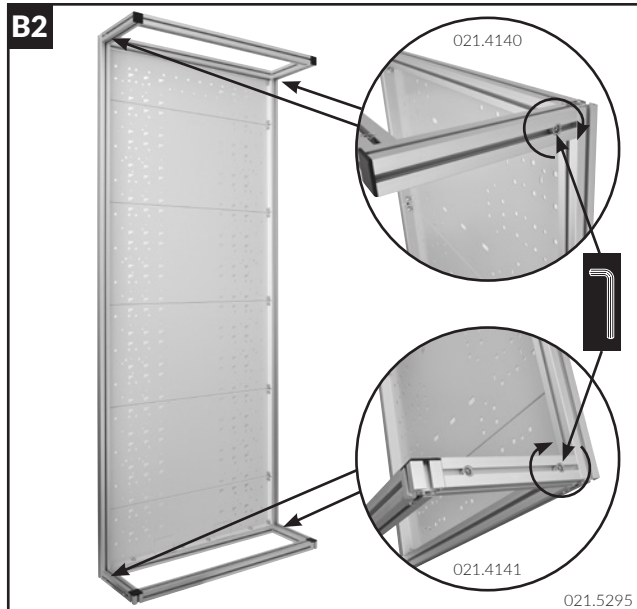
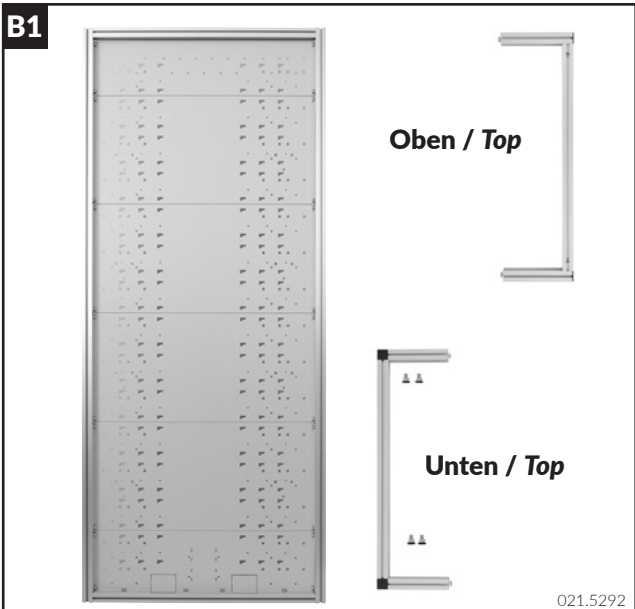
**Wandgestell / Wall cabinet  
Standard**



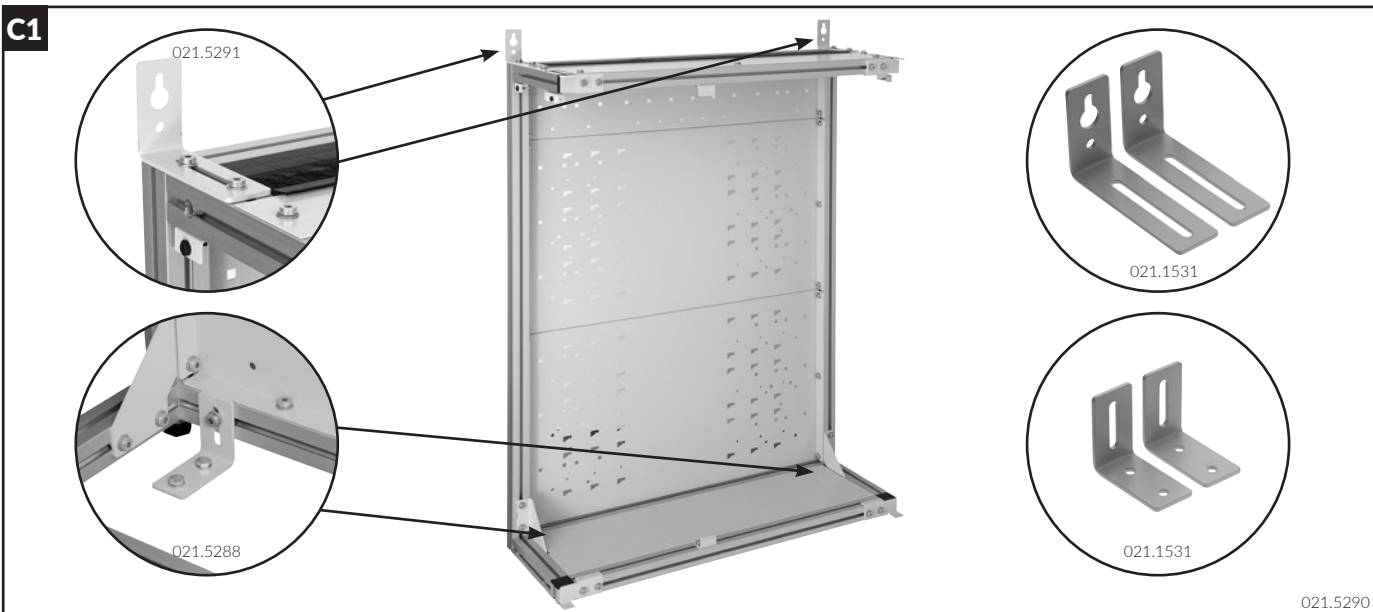
B x T x H / W x D x H  
900 x 300 x 700 mm

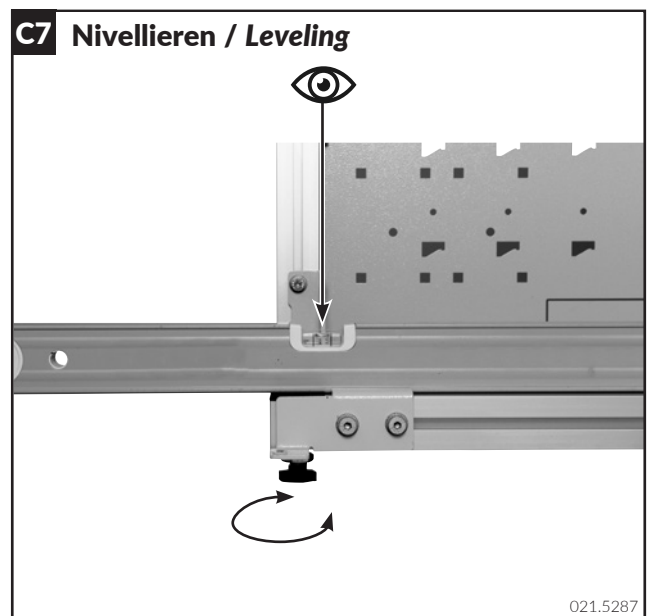
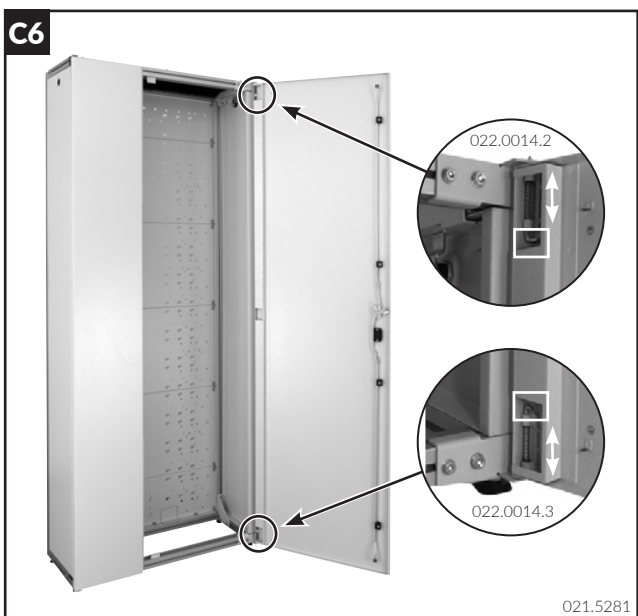
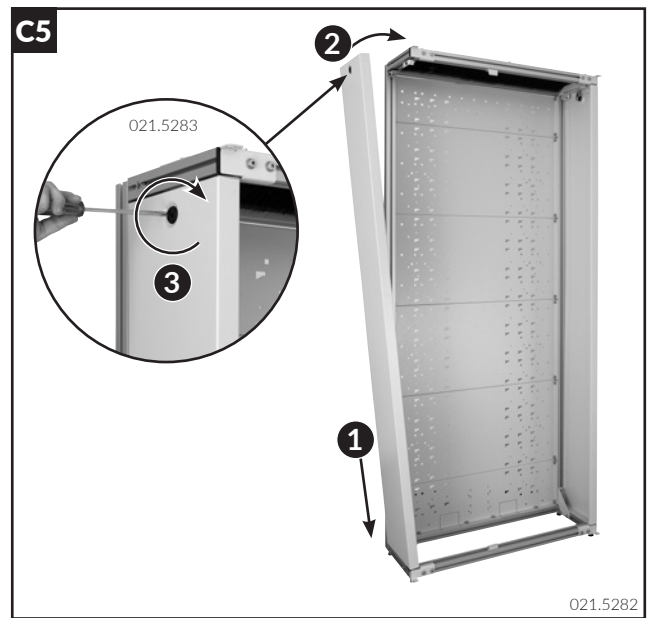
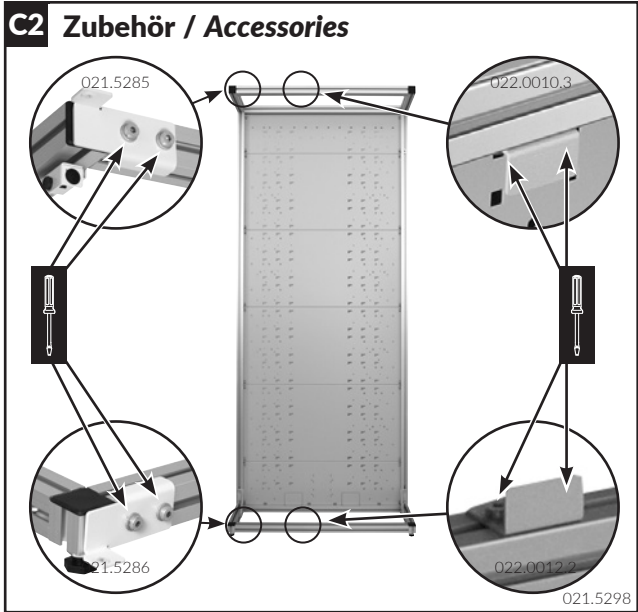
021.5278

**B - Flat Pack Gestell / Flat Pack Cabinet**

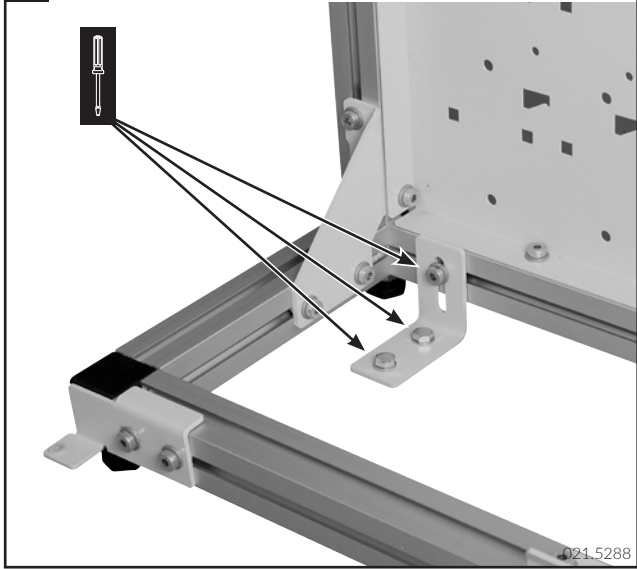


**C - Gestell Montage / Cabinet mounting**

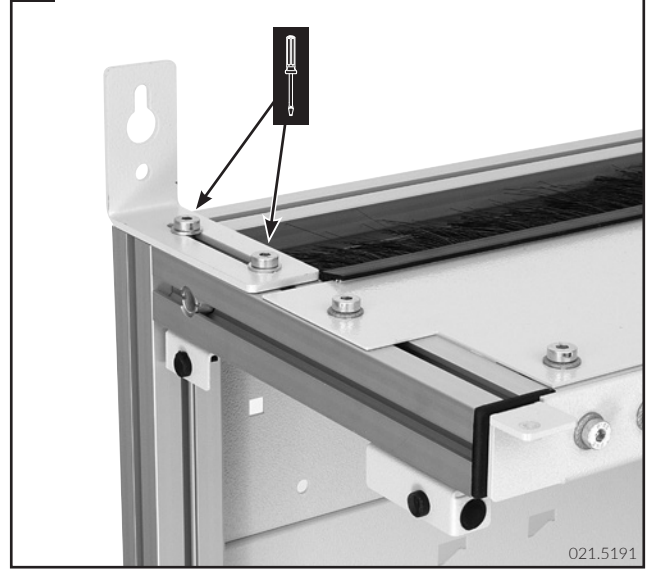




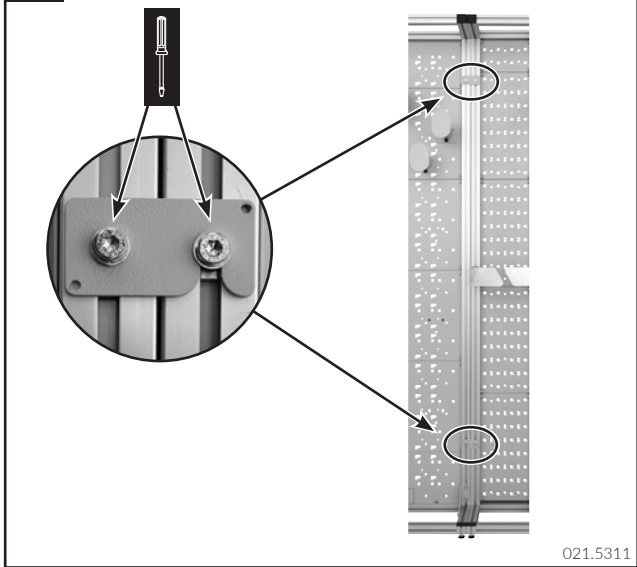
**C8 Bodenbefestigung / Floor mounting**

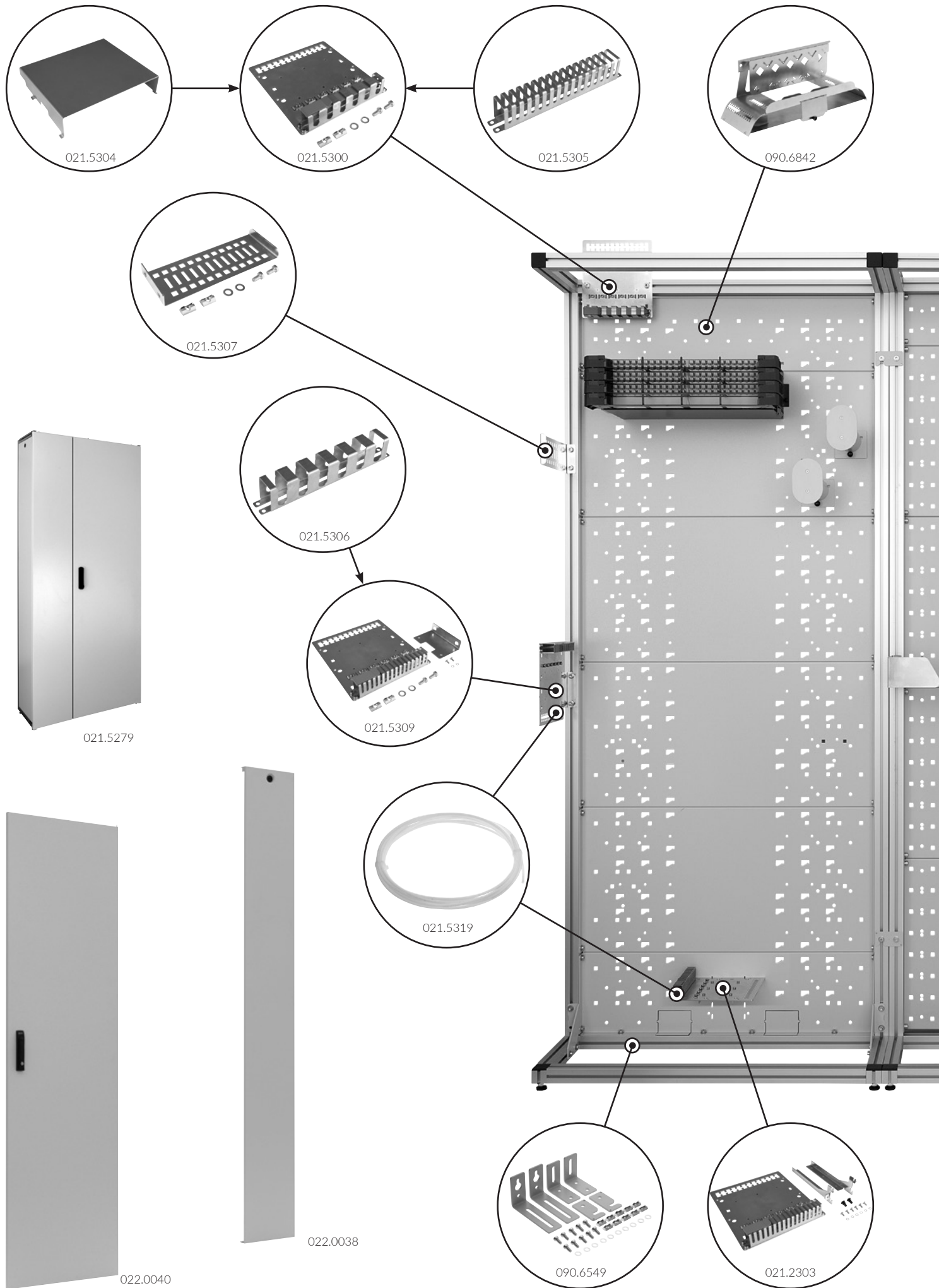


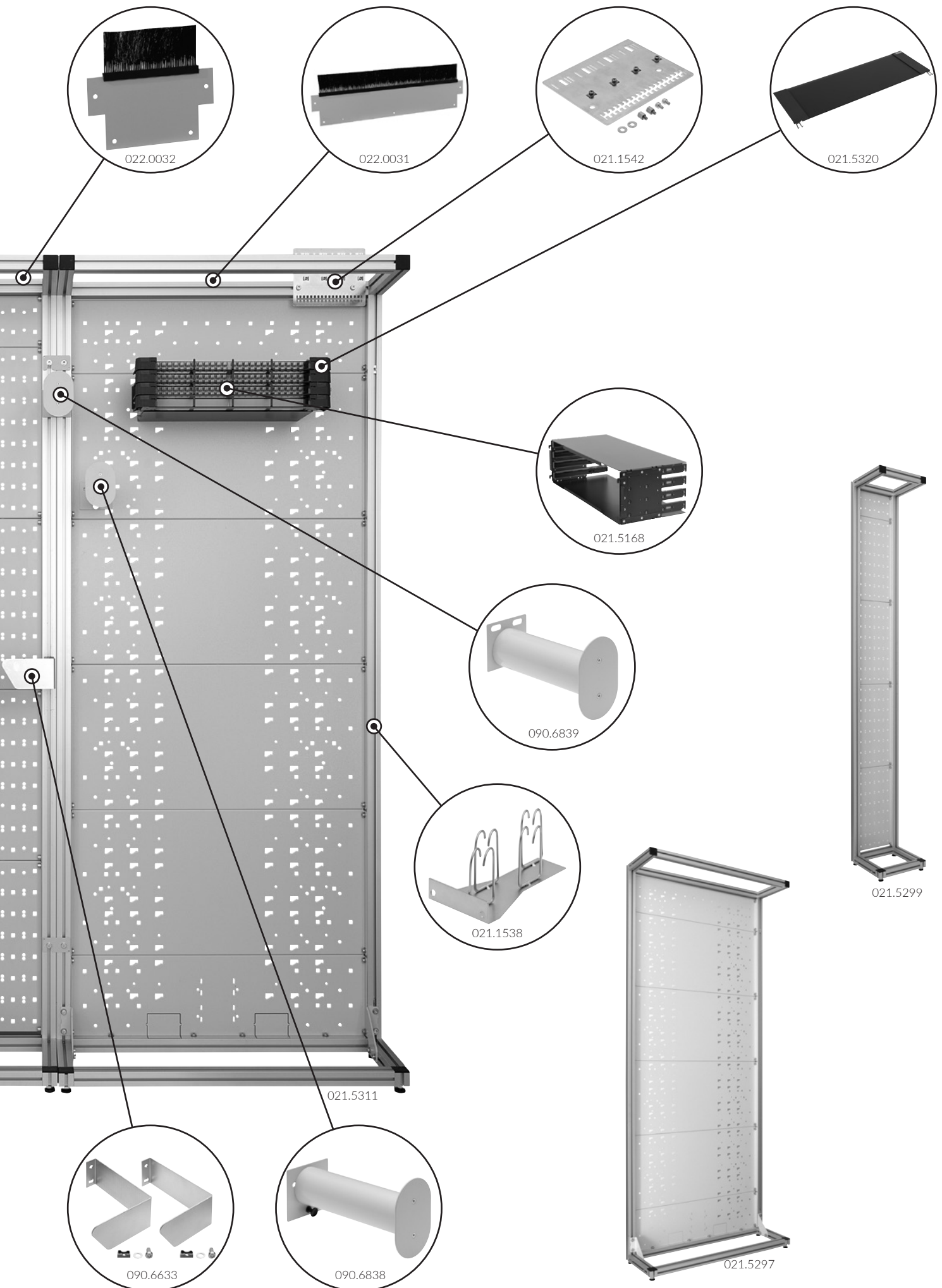
**C9 Wandbefestigung / Wall mounting**



**C10 Gestellverbindung / Cabinet connection**

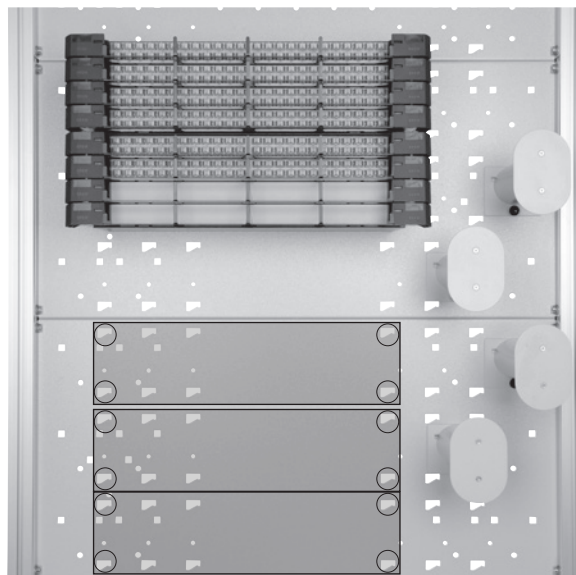
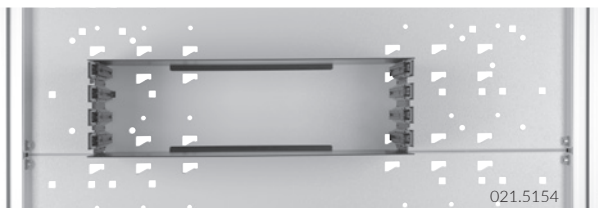




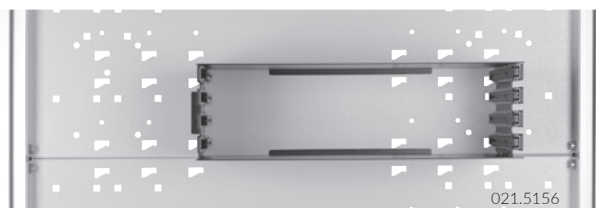


D

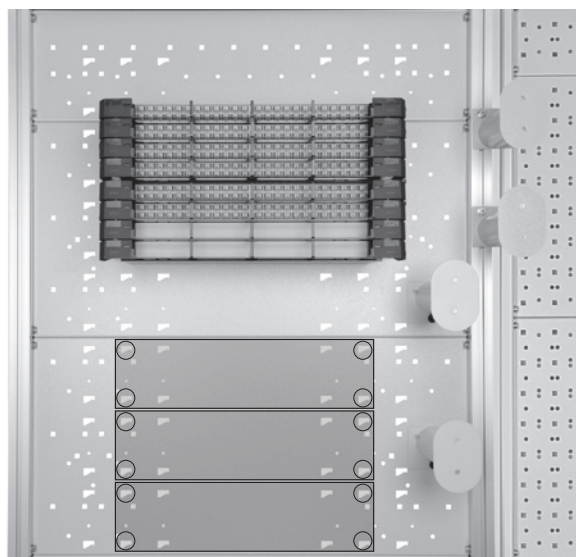
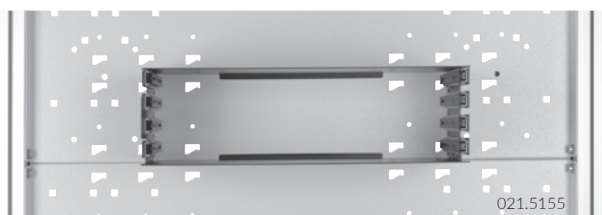
Montage links / Mounting left



Montage rechts / Mounting right

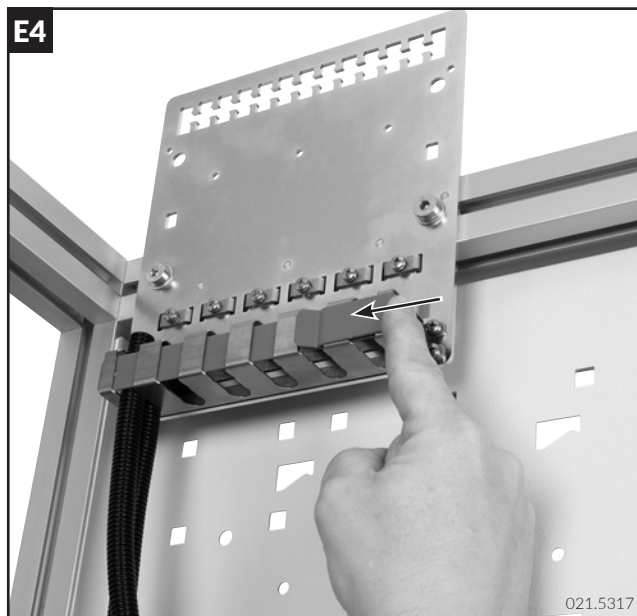
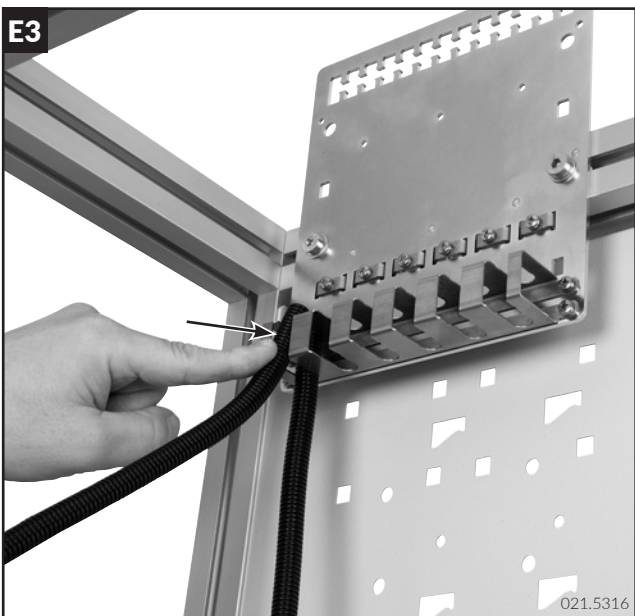
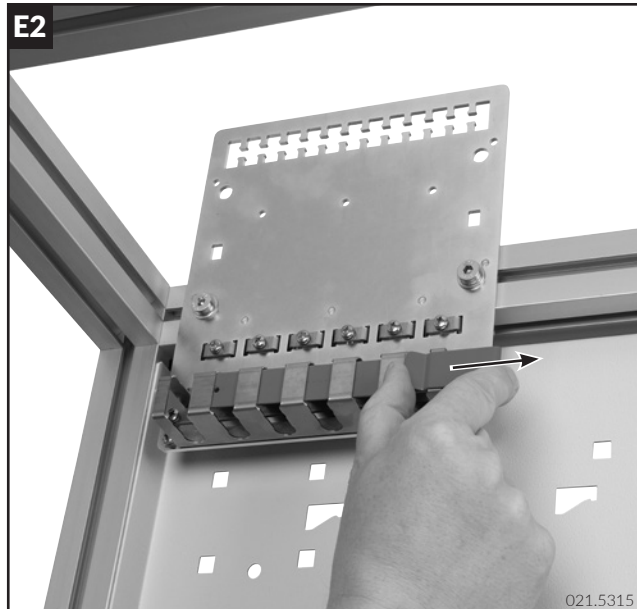
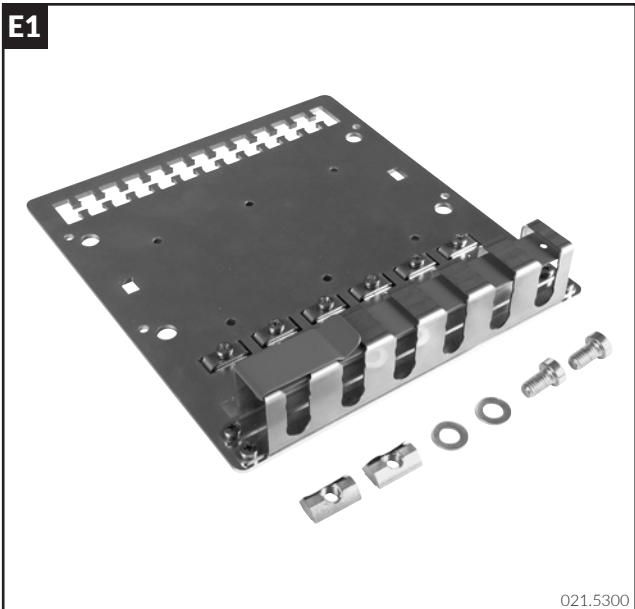


Montage mitte / Mounting center

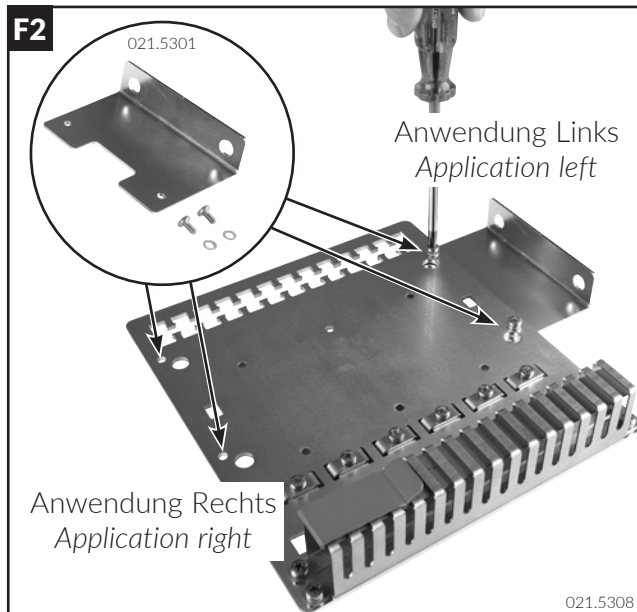
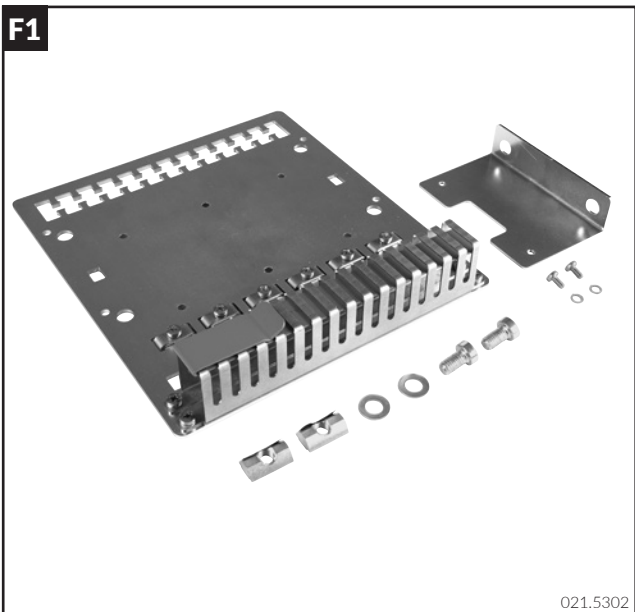


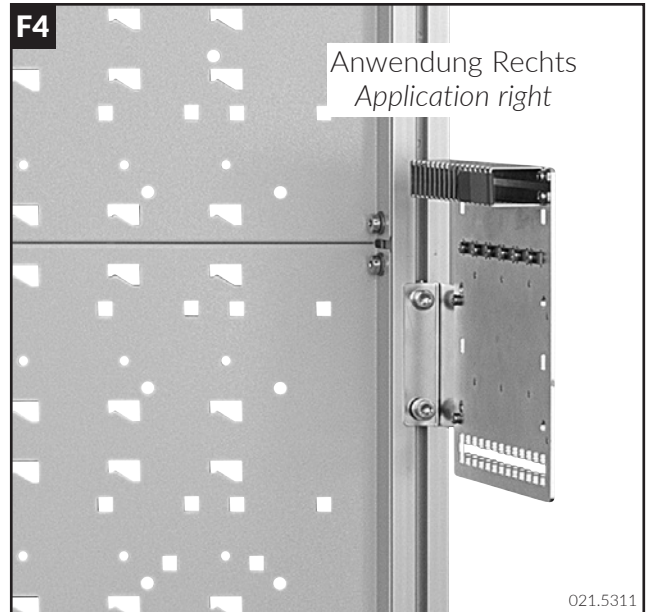
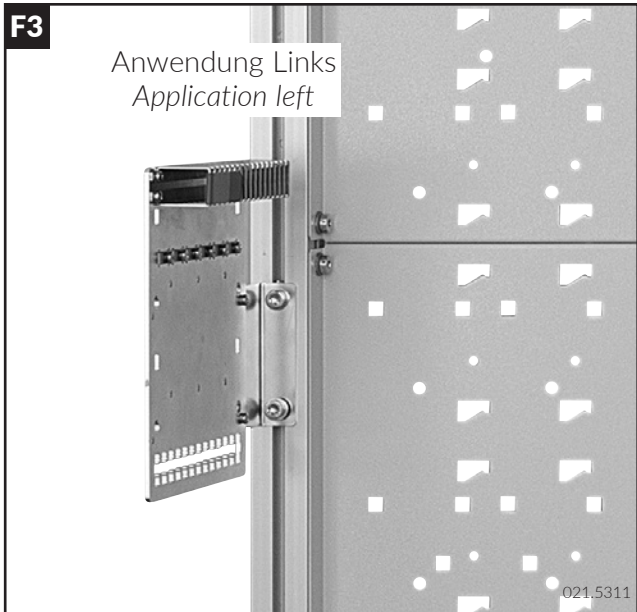


**E - Gestell Kabeleinführung oben / Cable insertion cabinet top**

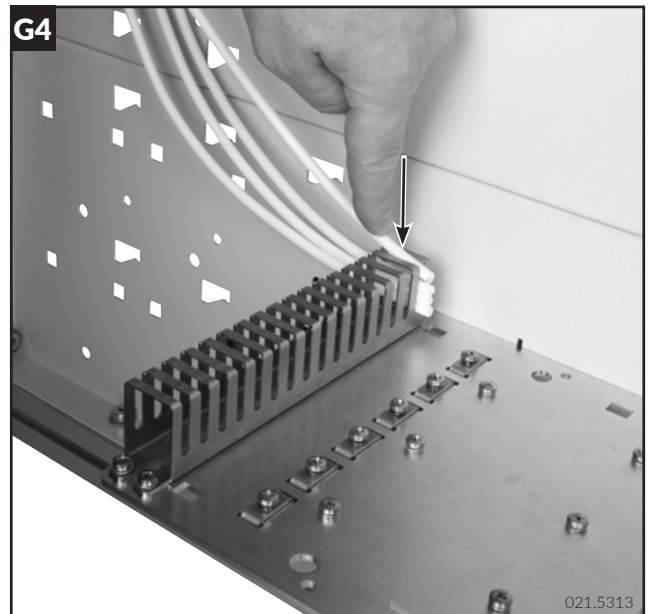
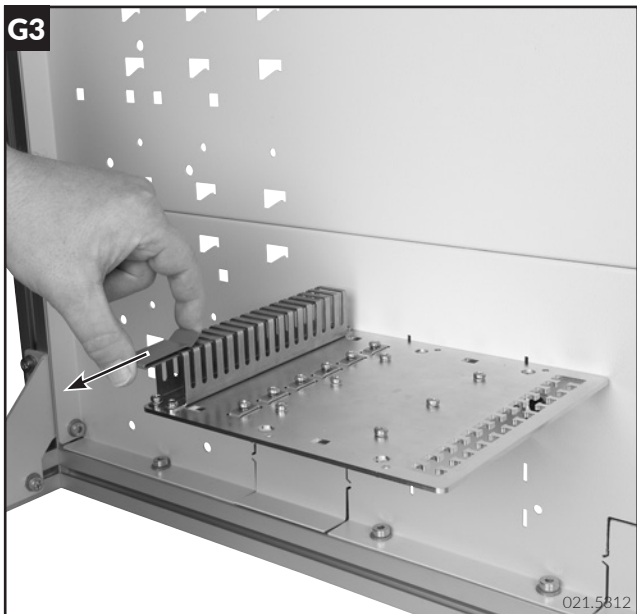
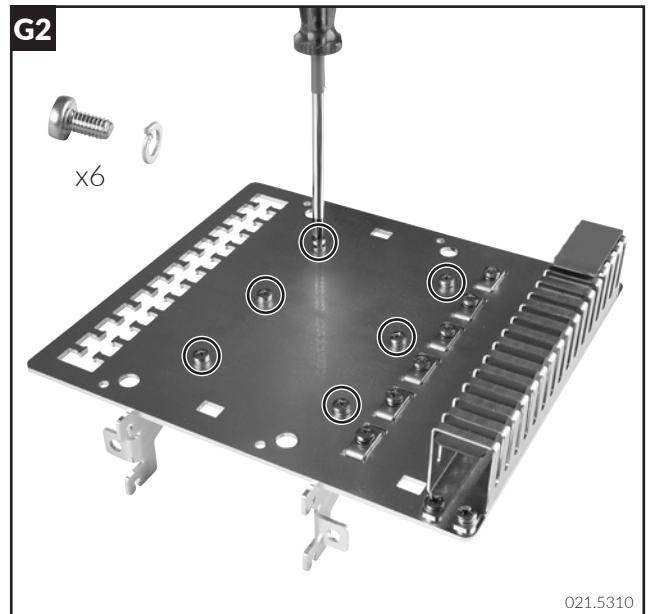
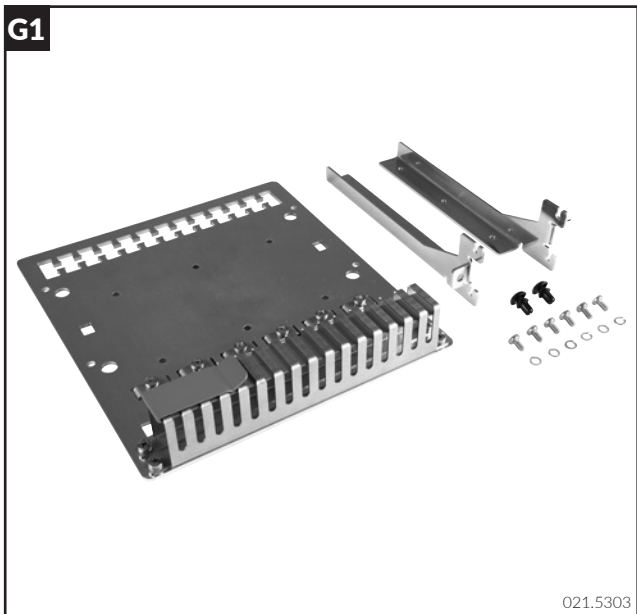


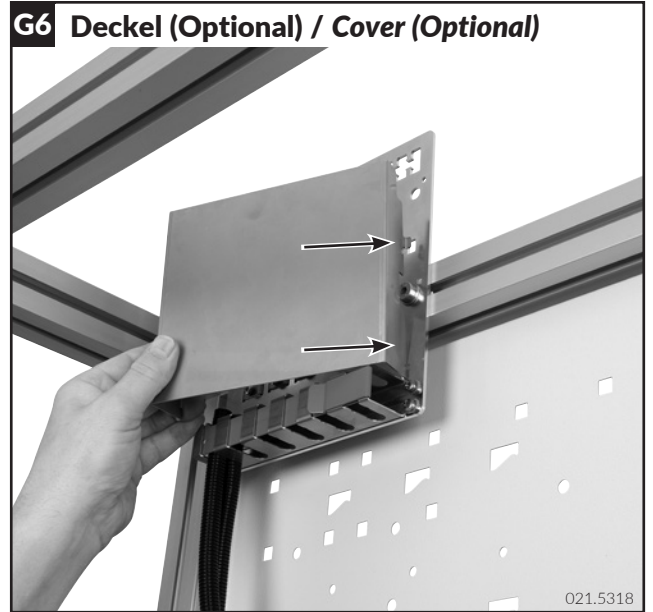
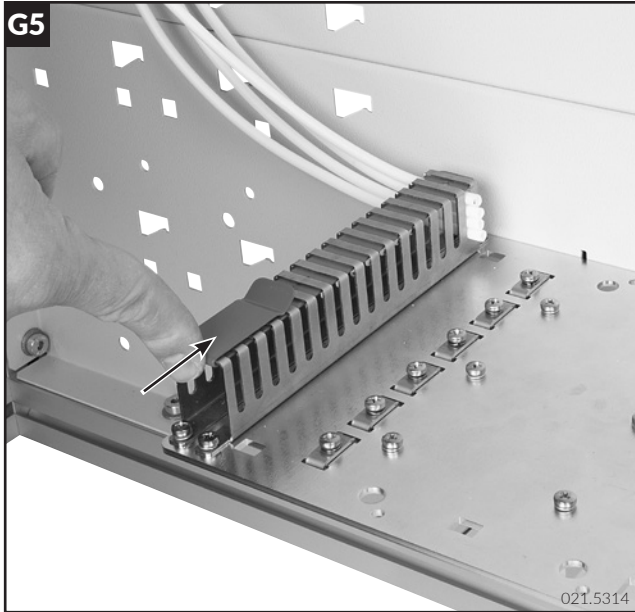
**F - Kabel und Faseraufleitung seitlich / Cable and fiber distribution lateral**



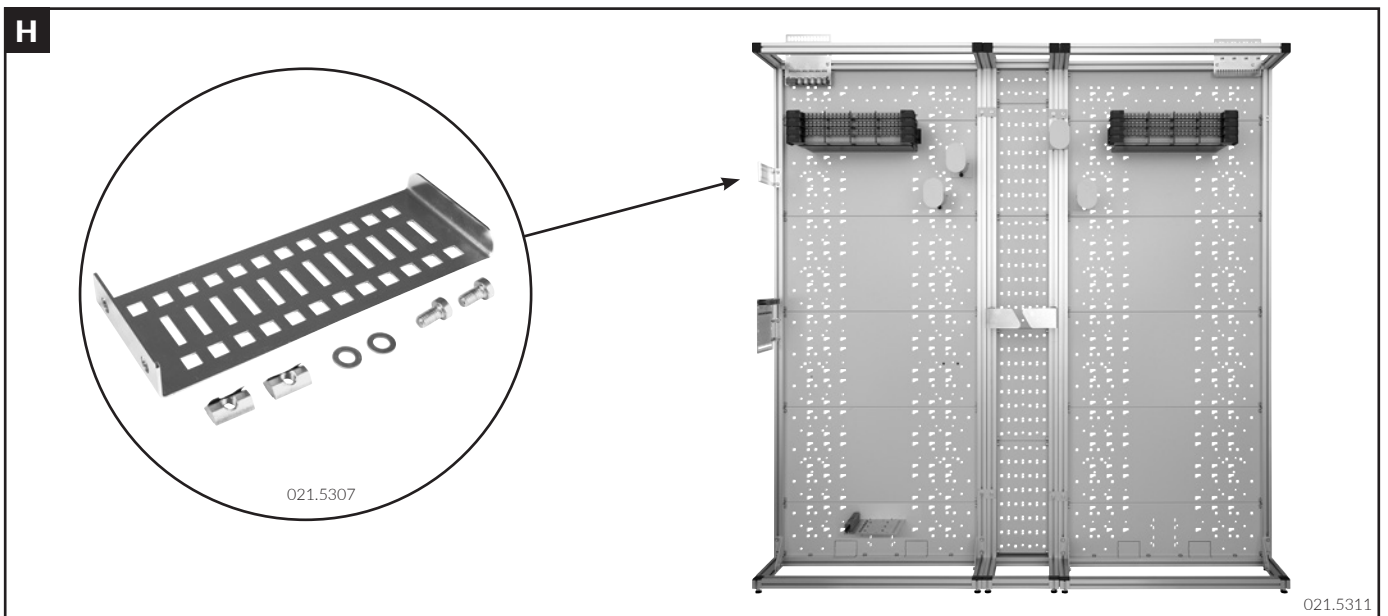


**G - Kabel und Faseraufteilung unten / Cable and fiber distribution below**

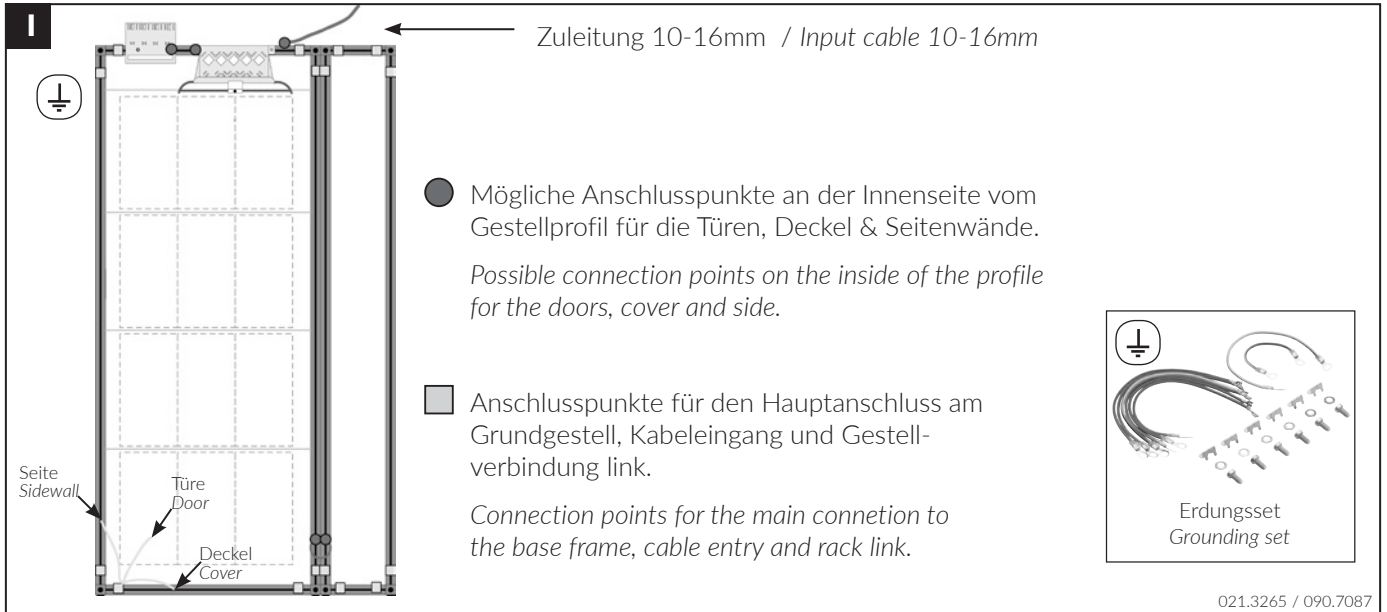




**H - Kabelhalter seitlich / Cable holder lateral**



## I - Erdungskonzept/ Grounding concept



### Mehr Details finden Sie in den separaten Installationsanleitungen:

PRIME-3HE-Sub-rack  
PRIME- $\frac{3}{4}$ HE-FTU, FBU, FSU, FOU



### More detail can be found in the separate installation guides:

PRIME-3U-Sub-rack  
PRIME- $\frac{3}{4}$ U-FTU, FBU, FSU, FOU

### Headquarters

#### Switzerland

Reichle & De-Massari AG  
Binzstrasse 32  
CHE-8620 Wetzikon  
Telephone HQ +41 (0)44 933 81 11  
Telefax HQ +41 (0)44 930 49 41  
E-Mail [hq@rdm.com](mailto:hq@rdm.com)

[www.rdm.com](http://www.rdm.com)

**R&M**

### Please note:

This guide shows the best practices for installation **ONLY**. R&M expressly disclaims all liability for any damage to material, equipment, and for any injury or death. Legal health and safety regulations should have priority over best practices as shown in this guide. R&M does not guarantee this guide to be free of errors. Products included may vary from products shown. Please exercise caution.