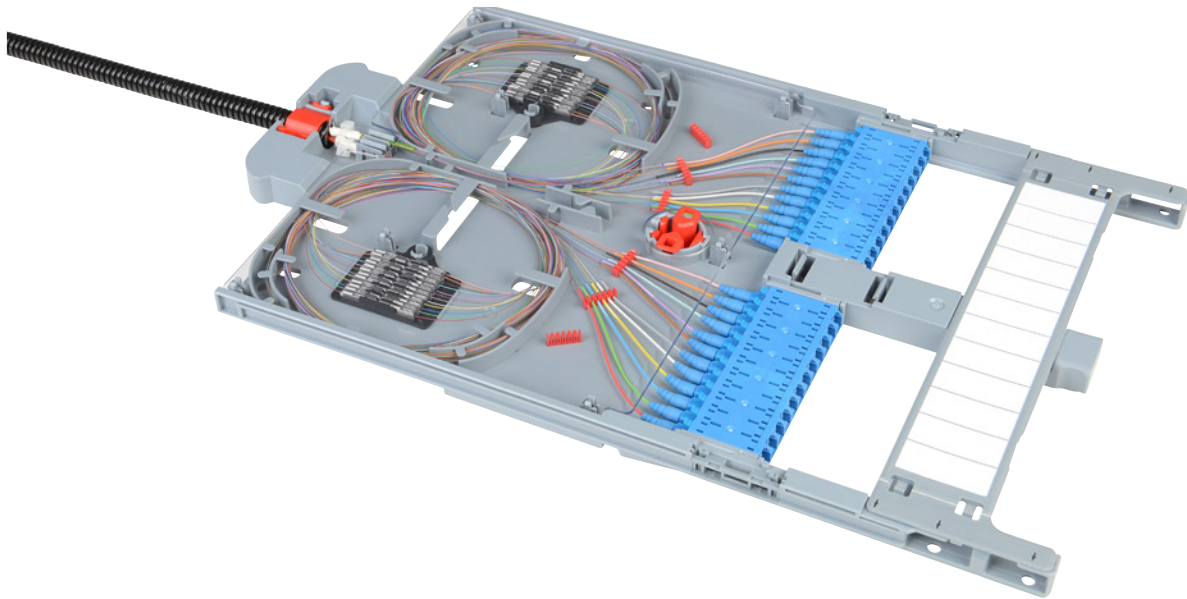


Installationsanleitung Netscale Splice Tray

Installation guide Netscale Splice Tray

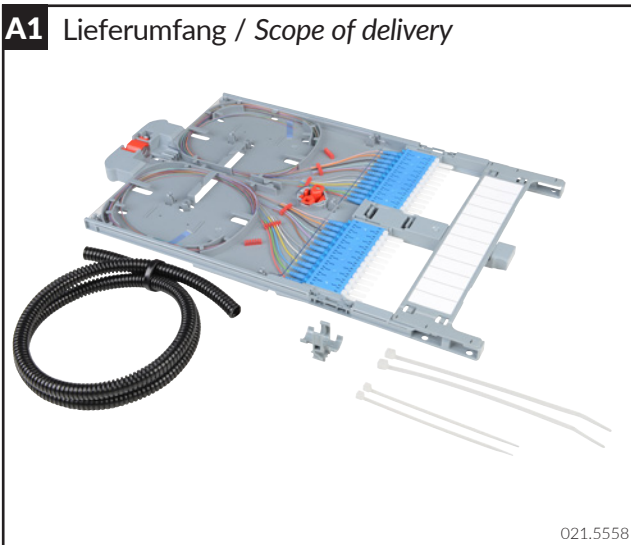
Instructions de montage Netscale Splice Tray



021.5254

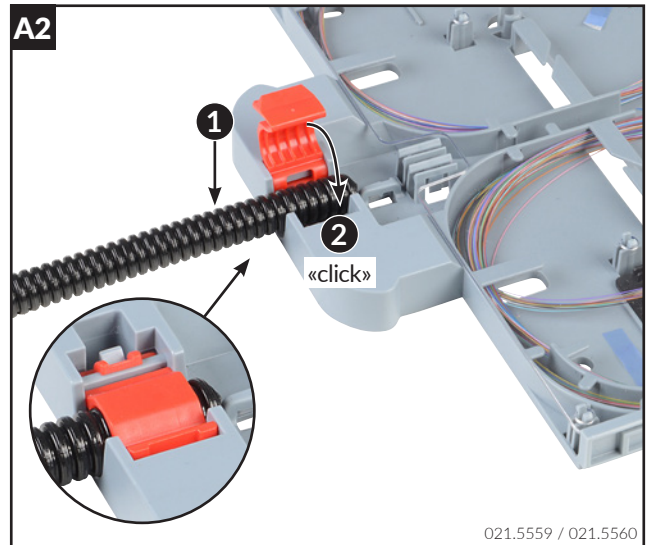
A - Installation / Installation

A1 Lieferumfang / Scope of delivery



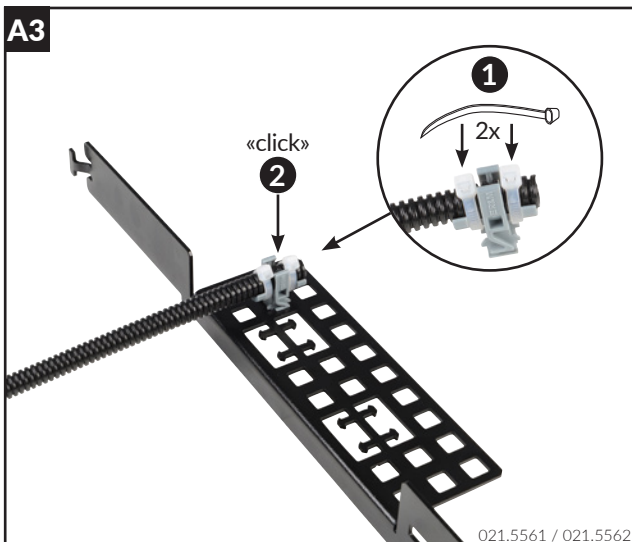
021.5558

A2



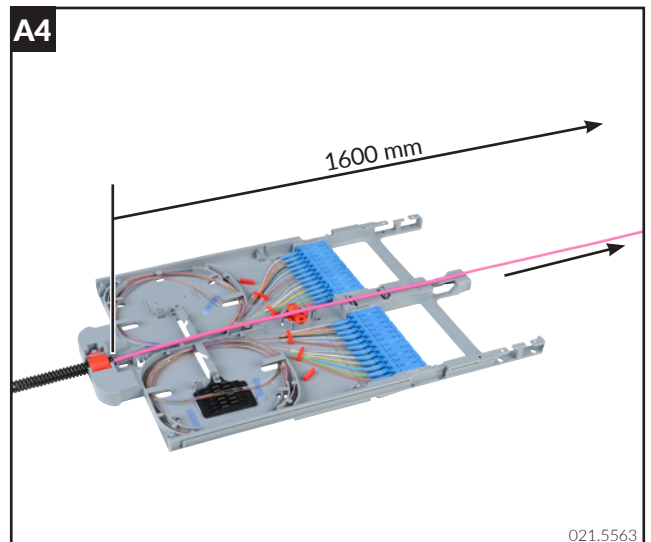
021.5559 / 021.5560

A3



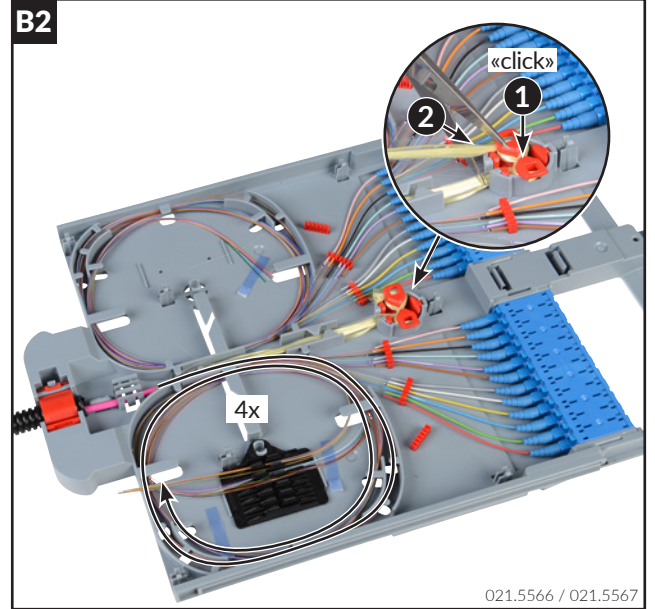
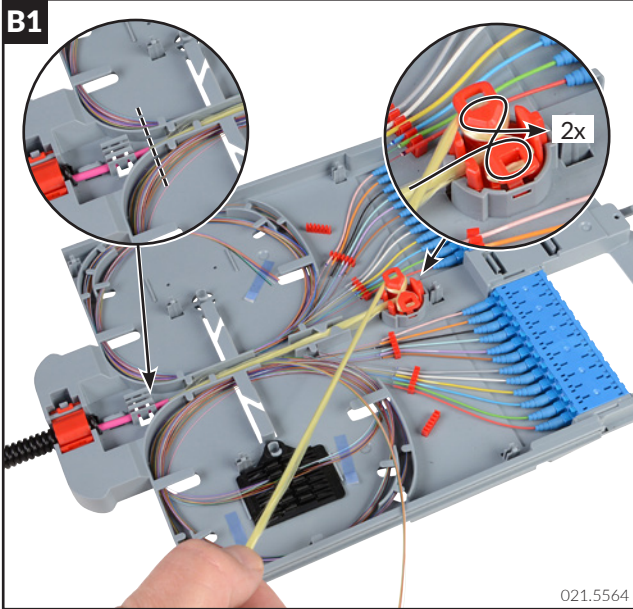
021.5561 / 021.5562

A4

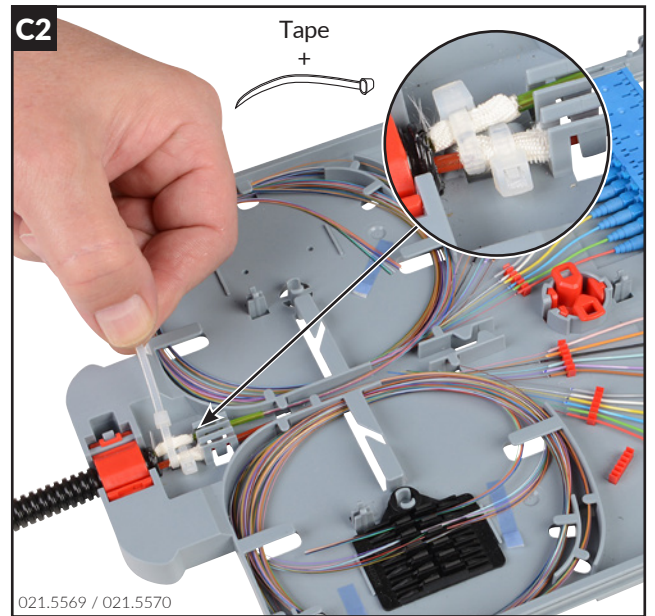
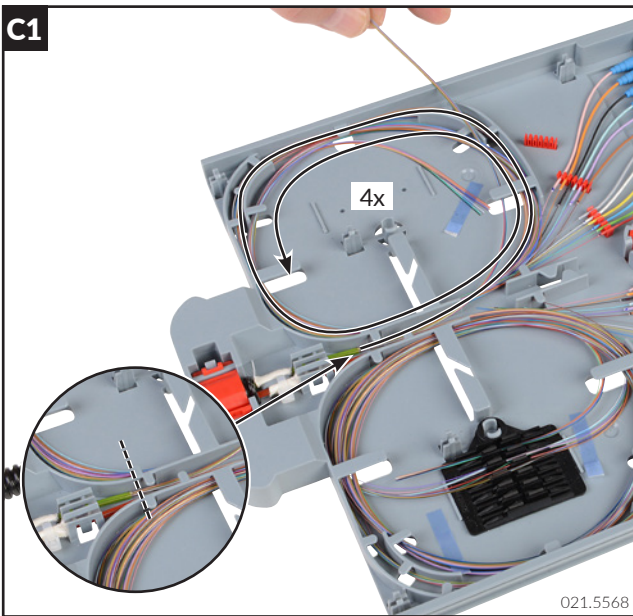


021.5563

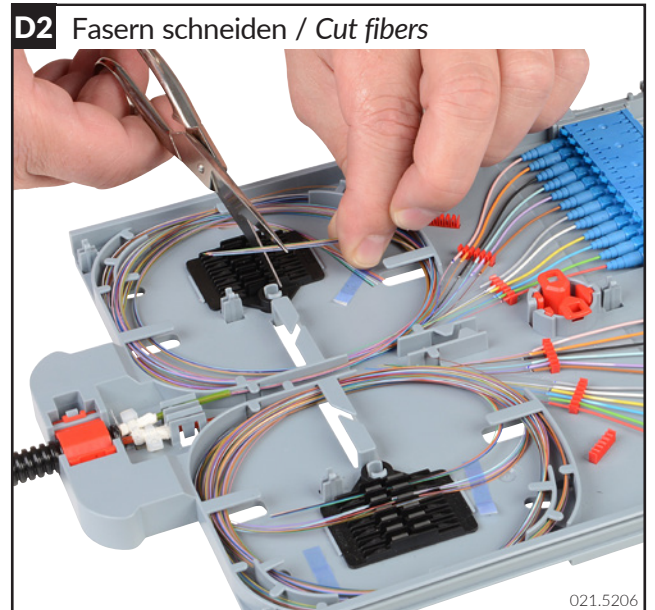
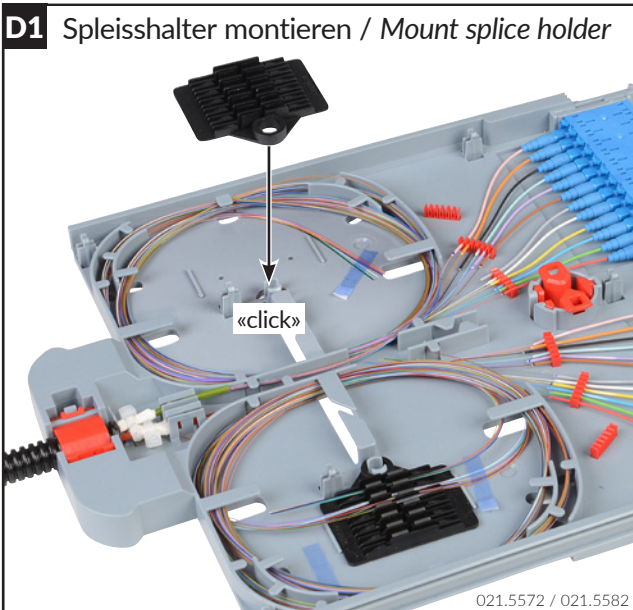
B - Minicore



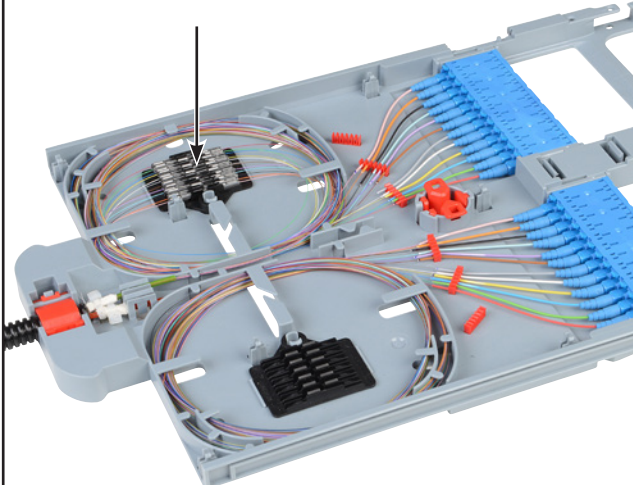
C - Loose Tube



D - Spliessen / Splicing

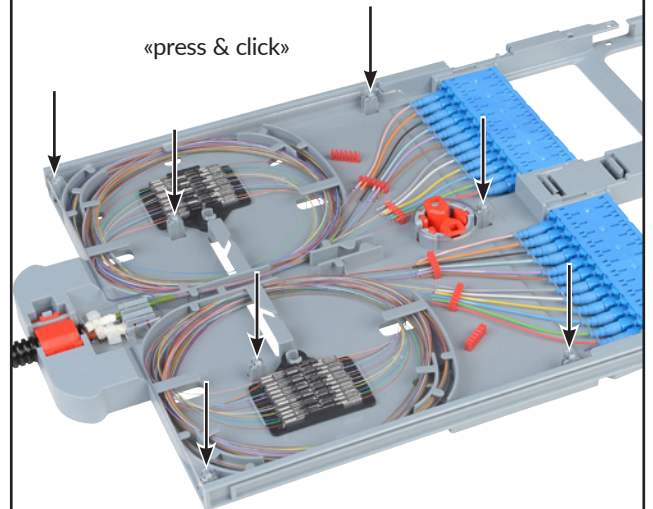


D4 Spleissen / Splicing



021.5574

D5 Deckel montieren / Mount cover



021.5575

E - Zubehör / Accessories

E1



Splice Holder / Spleisshalter
ANT (12er)



Splice Holder / Spleisshalte
HS (12er)

090.7857 / 090.7857

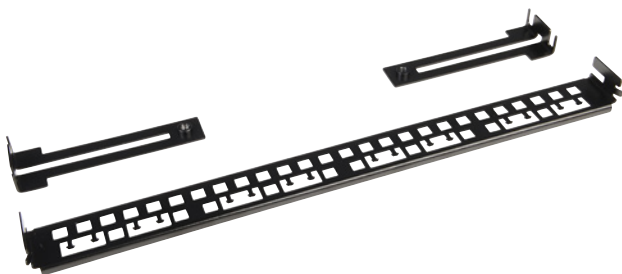
E2



ACS
Left and Right

021.5577

E3



ACS
Rear

021.5578

E4

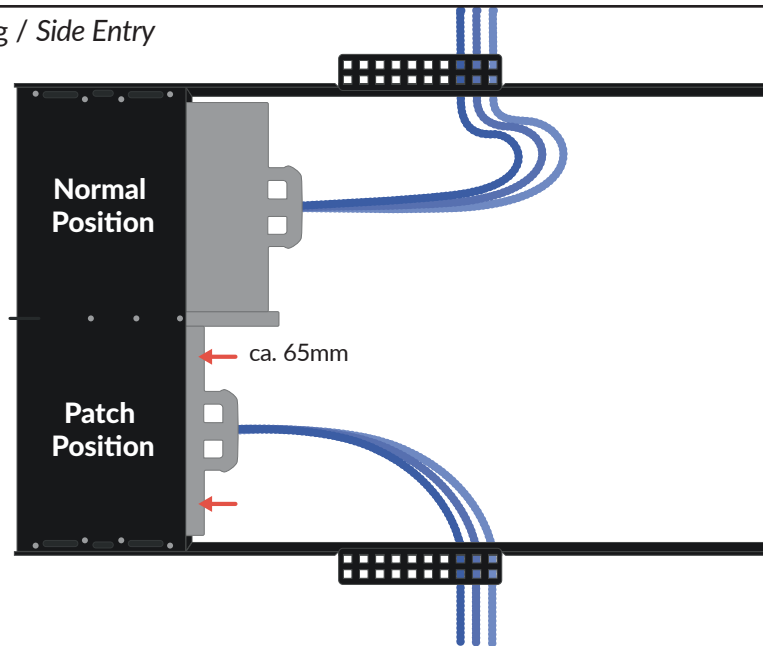


FO Mount Set
NW7

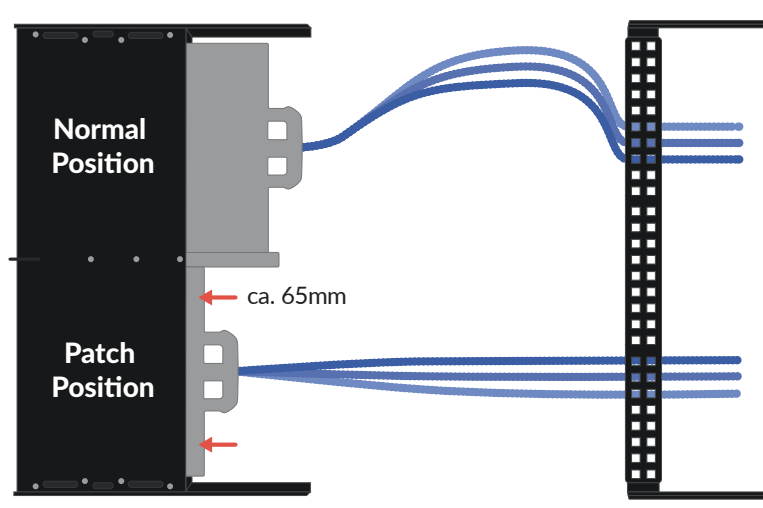
021.5580

F - Installation Schutzrohr / Installation of protective tube

F1 Seitliche Zuführung / Side Entry



F2 Rückseitige Zuführung / Rear Entry



Headquarters

Switzerland

Reichle & De-Massari AG

Binzstrasse 32

CHE-8620 Wetzikon

Telephone HQ +41 (0)44 933 81 11

Telefax HQ +41 (0)44 930 49 41

E-Mail hq@rdm.com

www.rdm.com

R&M

Please note:

This guide shows the best practices for installation **ONLY**. R&M expressly disclaims all liability for any damage to material, equipment, and for any injury or death. Legal health and safety regulations should have priority over best practices as shown in this guide. R&M does not guarantee this guide to be free of errors. Products included may vary from products shown. Please exercise caution.