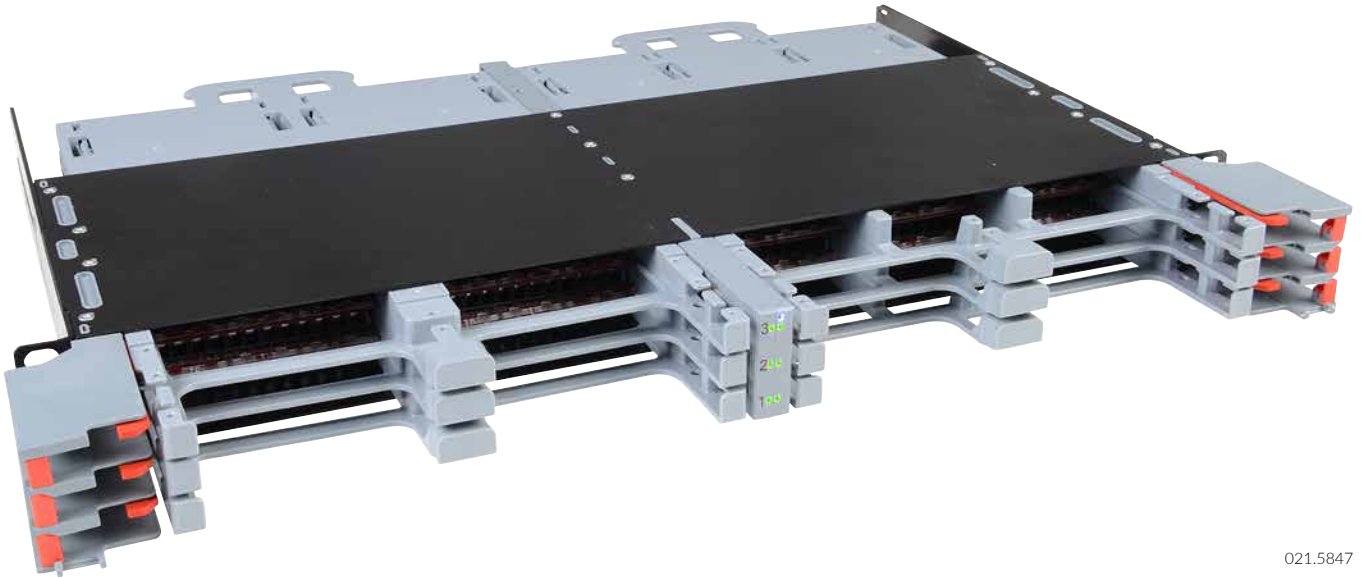
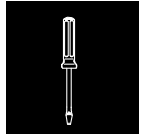


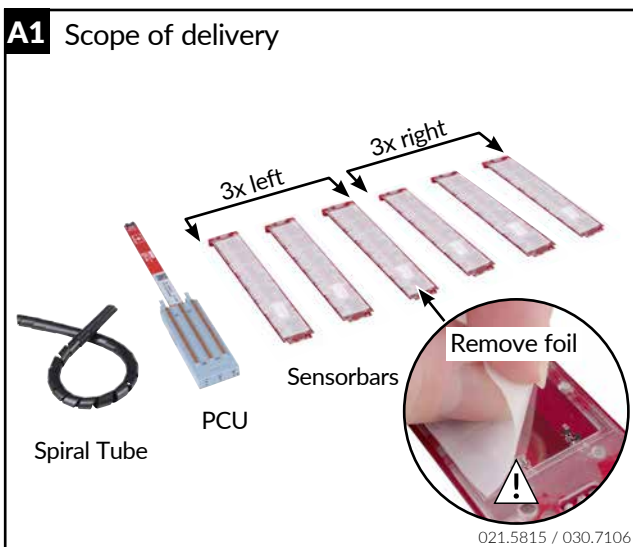
Installationsanleitung R&MinteliPhy für Netscale 72
Installation guide R&MinteliPhy for Netscale 72
Instructions de montage R&MinteliPhy pour Netscale 72



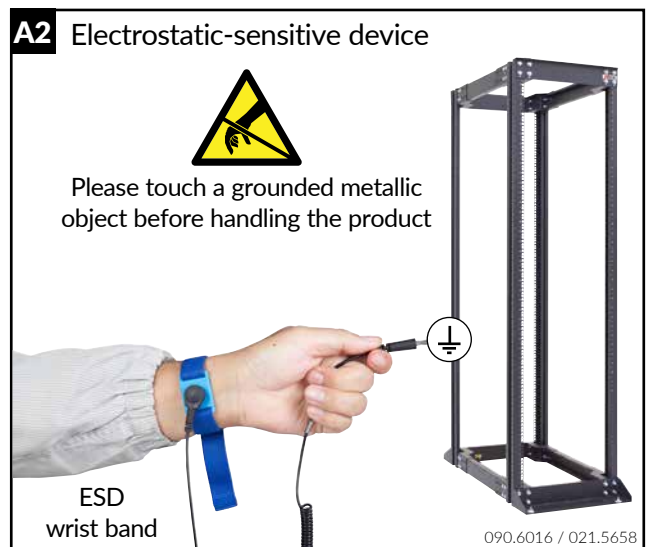
021.5847

A - Scope of delivery / Preparation

A1 Scope of delivery

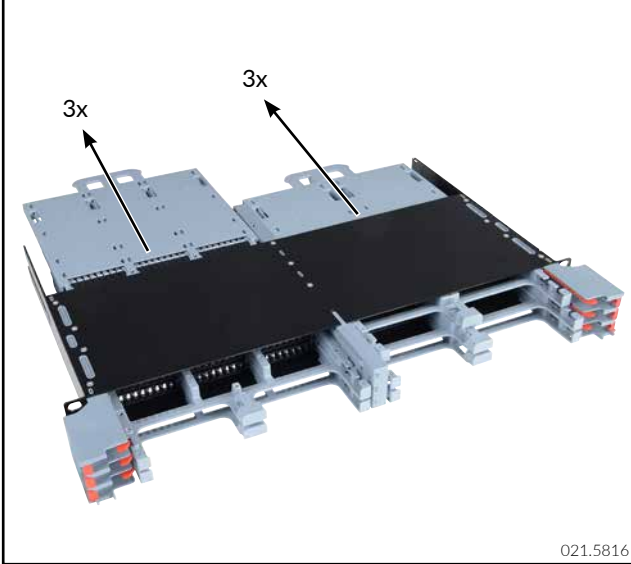


A2 Electrostatic-sensitive device

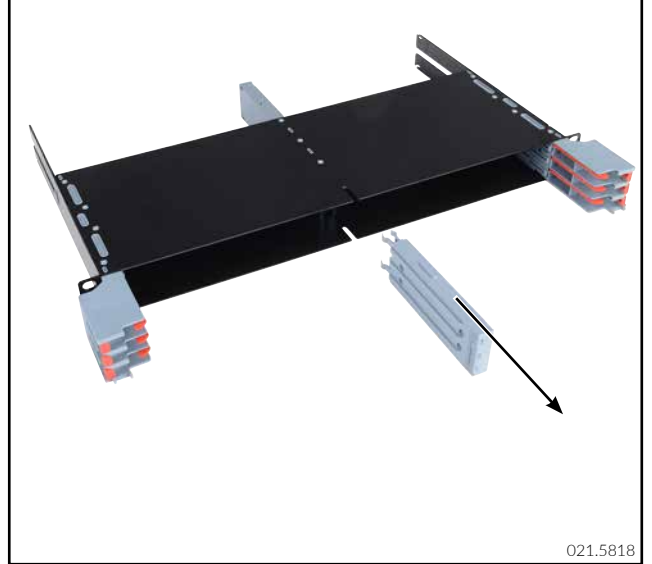


B - PCU Installation

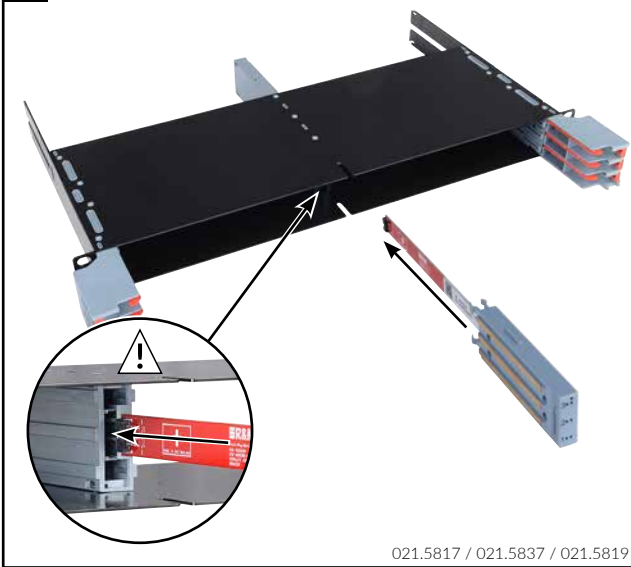
B1 Remove trays from the back completely



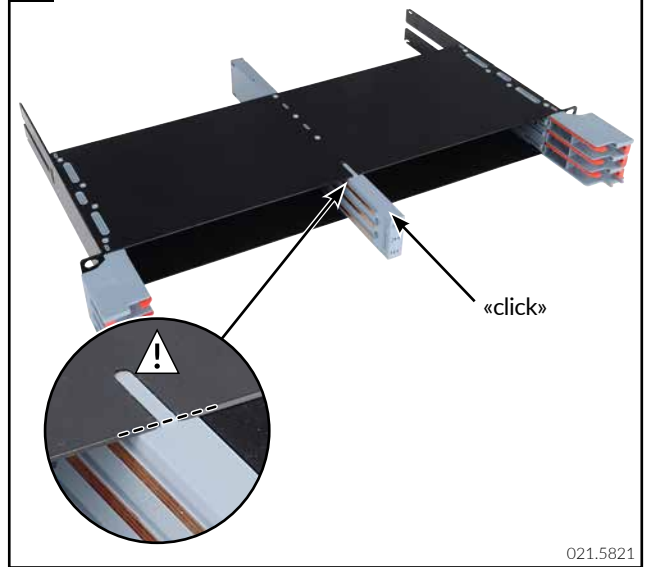
B2 Remove center divider



B3 Insert PCU

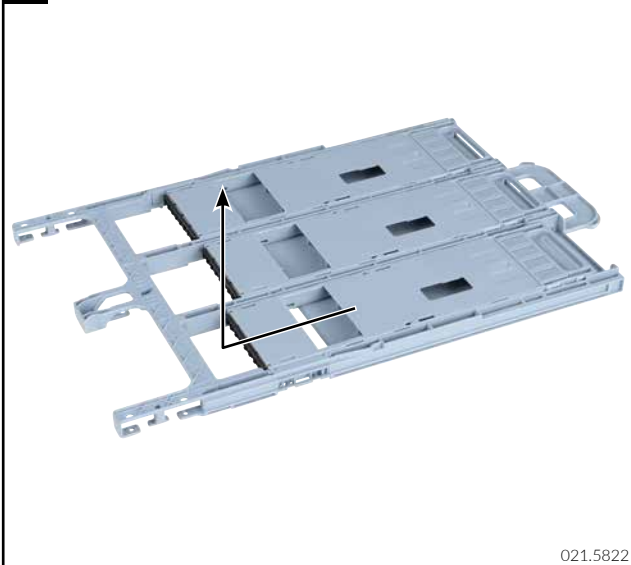


B4 Insert PCU till click

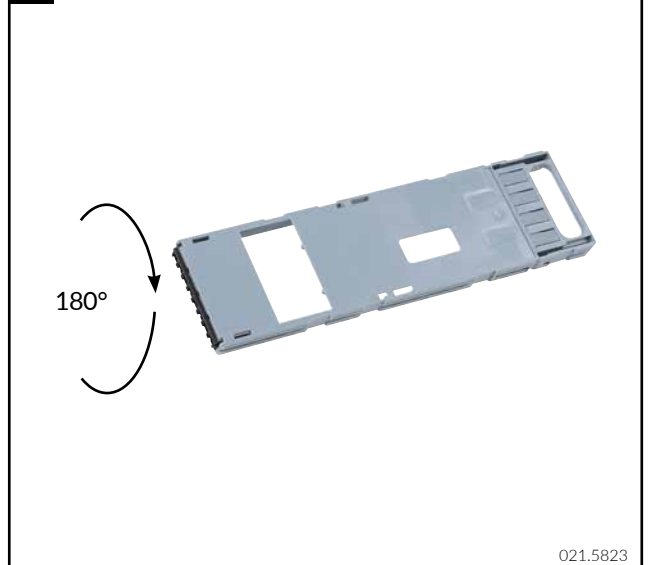


C - Sensorbar Installation

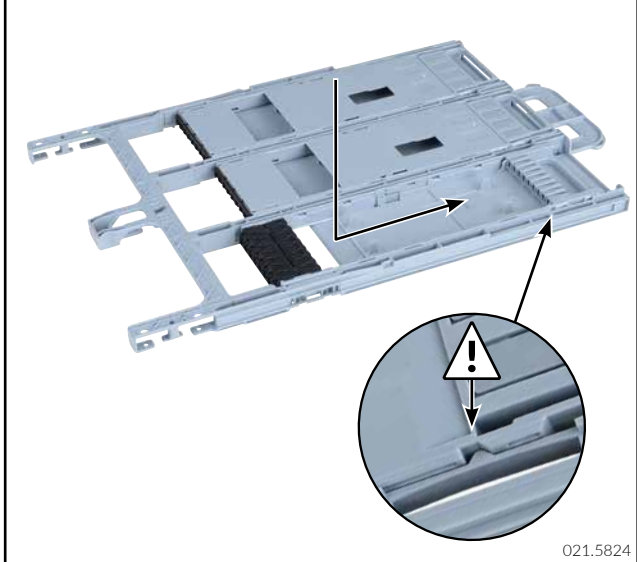
C1 Remove cassette/module



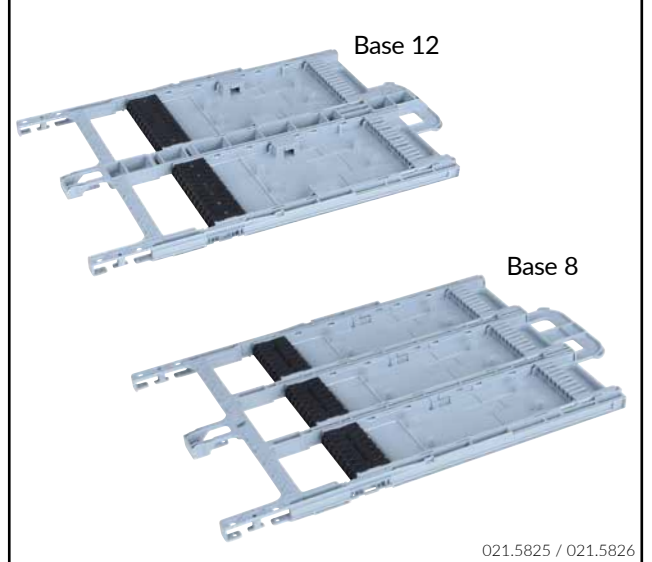
C2 Flip cassette/module



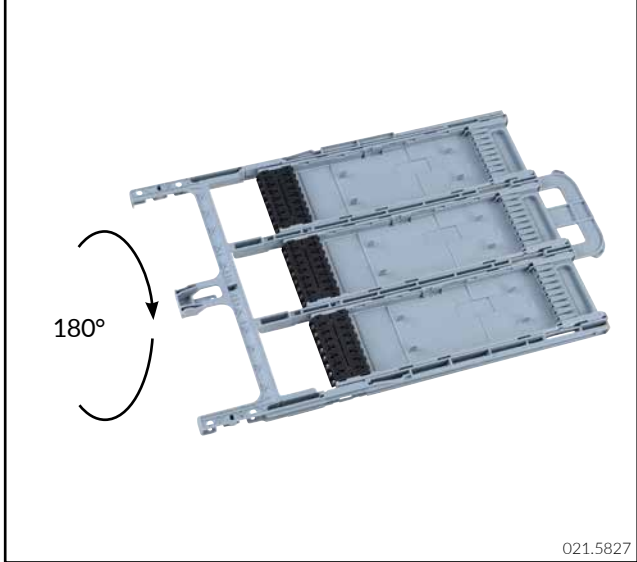
C3 Insert cassette/module



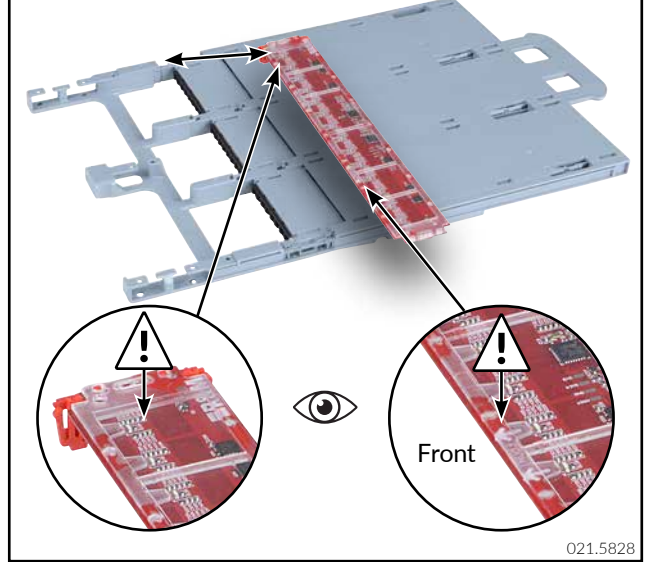
C4



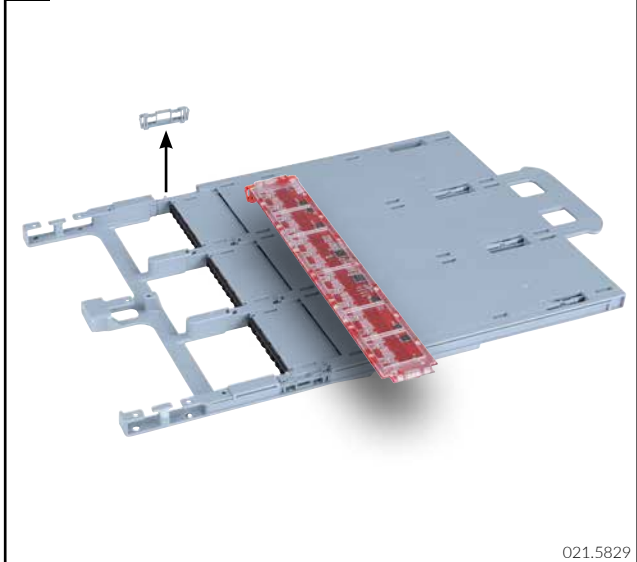
C5 Flip tray



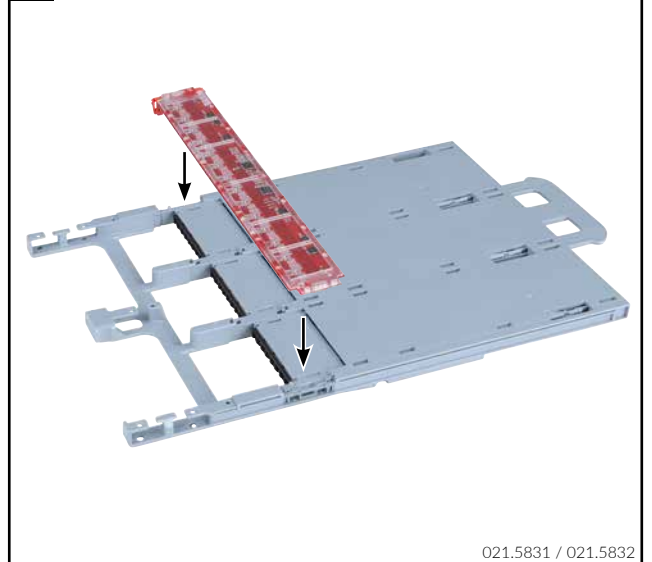
C6 Control check

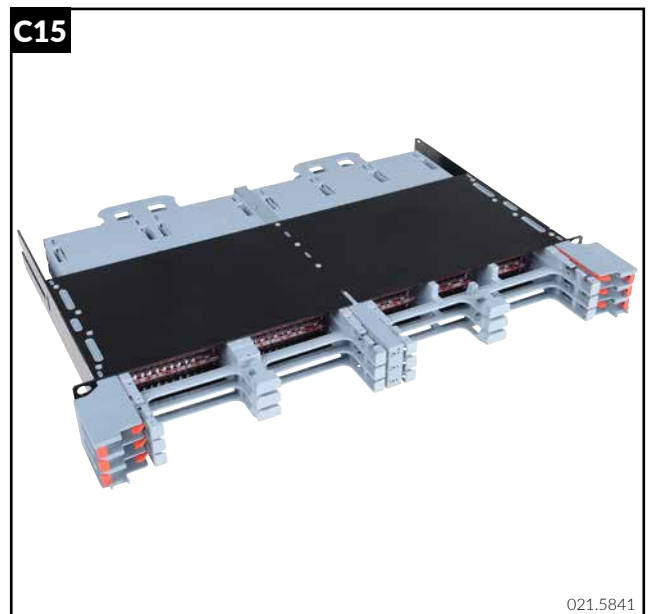
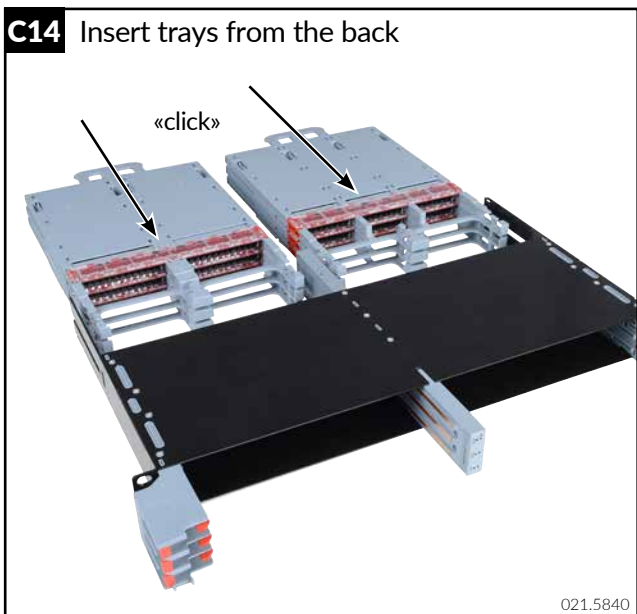
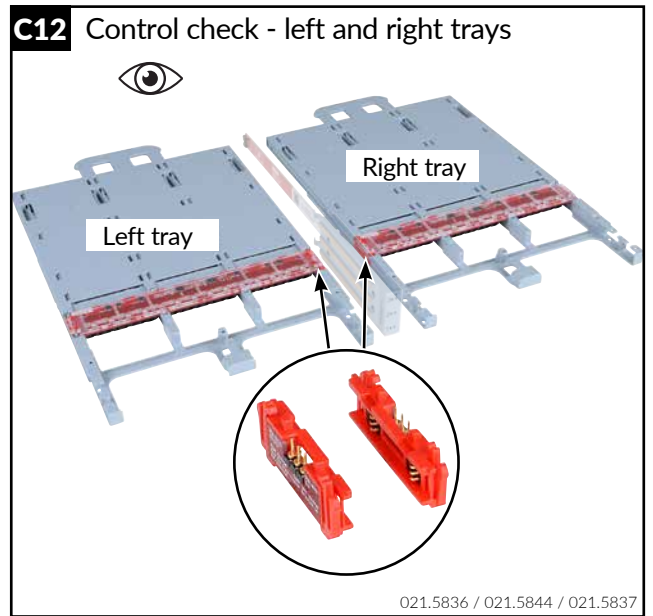
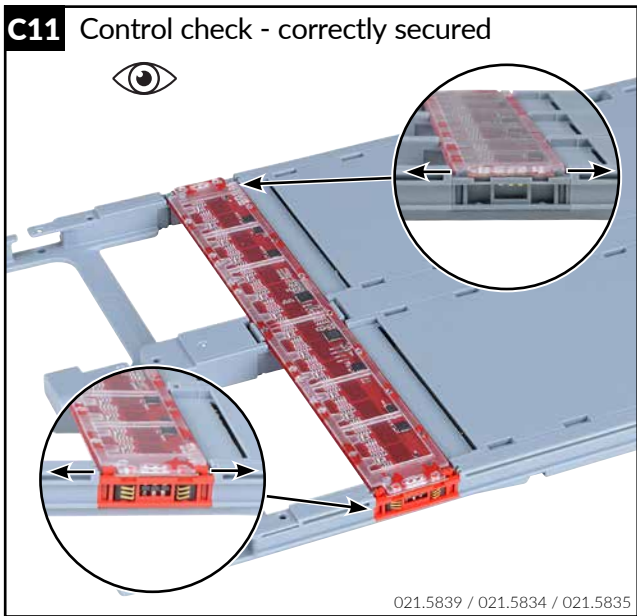
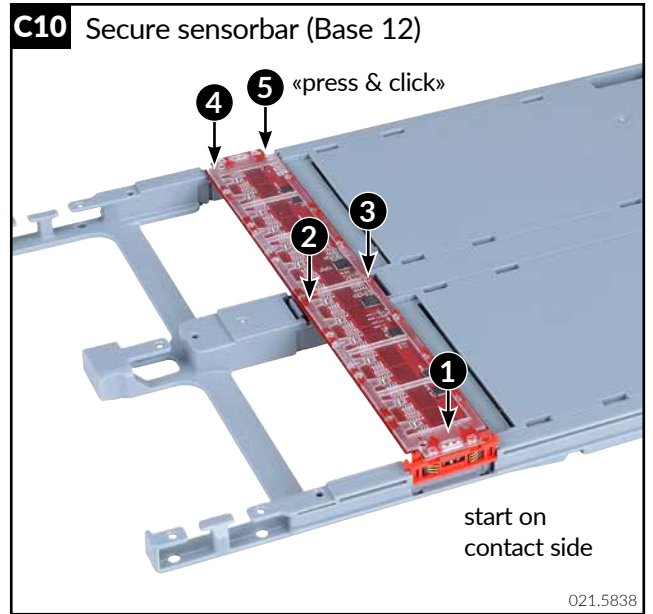
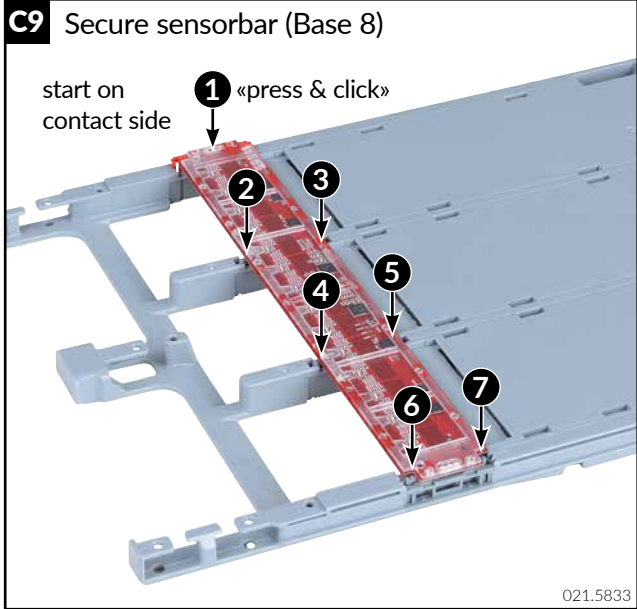


C7 Remove dummy insert



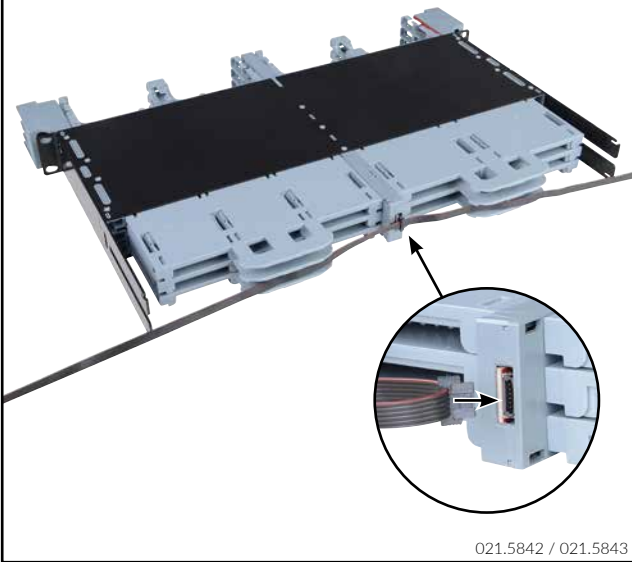
C8 Insert sensorbar



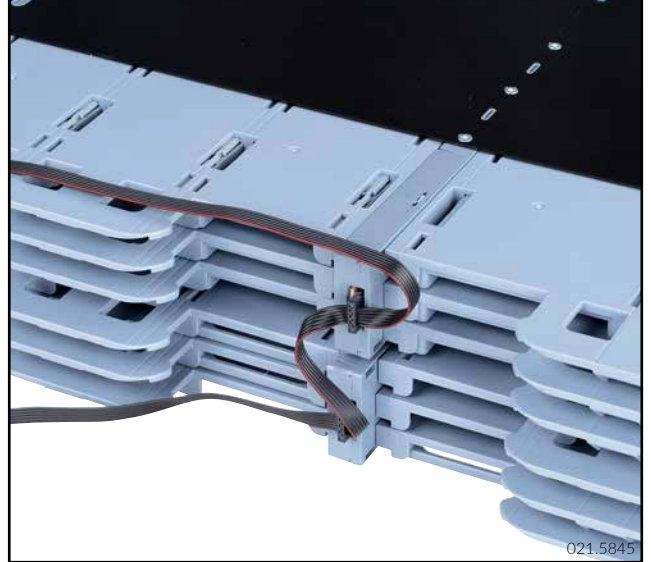


D - Bus Cable Installation

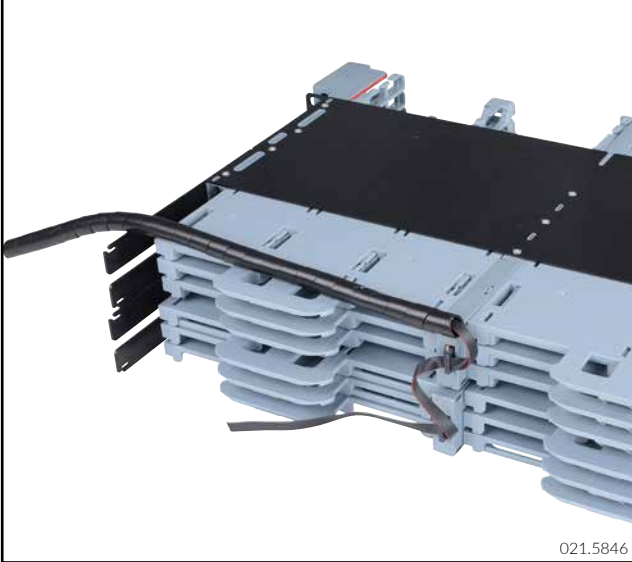
D1 Insert bus cable



D2 Bus cable routing

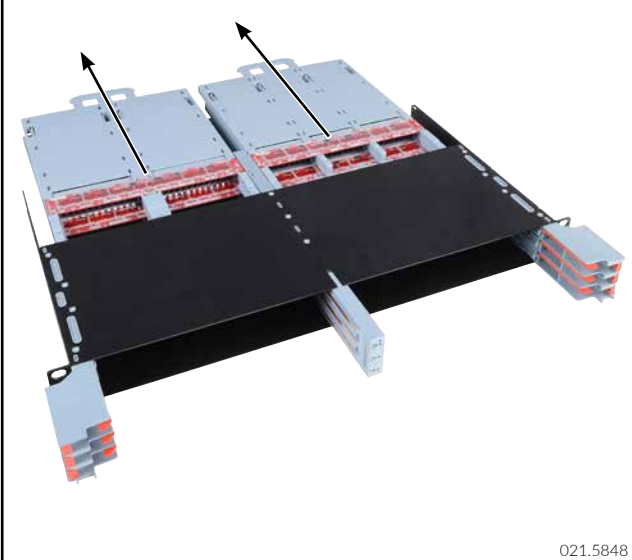


D3 Bus cable spiral tube protection

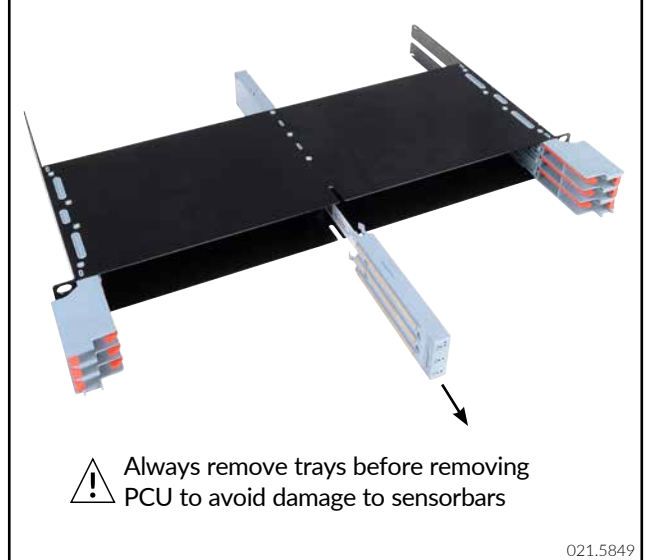


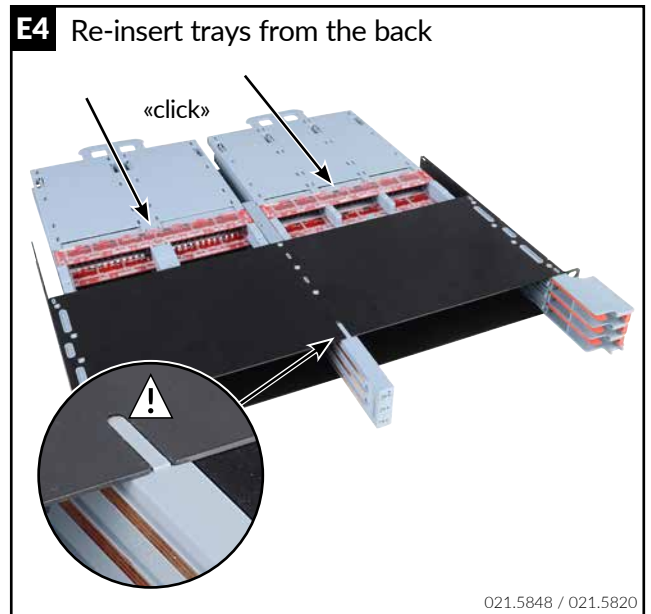
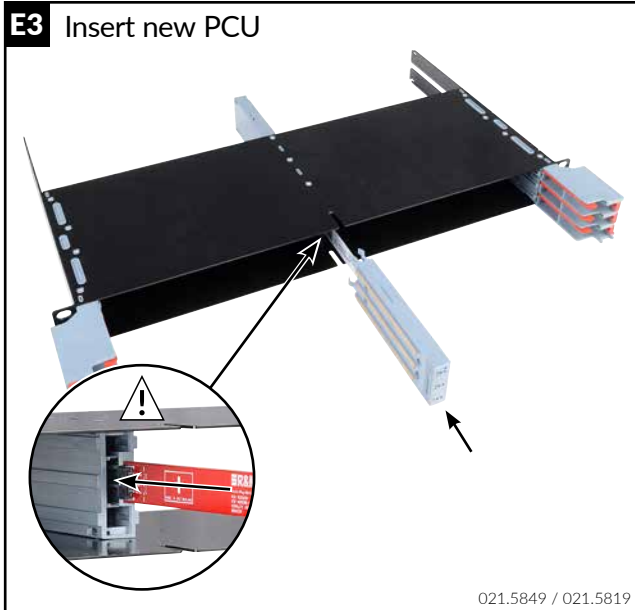
E - Replacing PCU

E1 Remove trays from the back

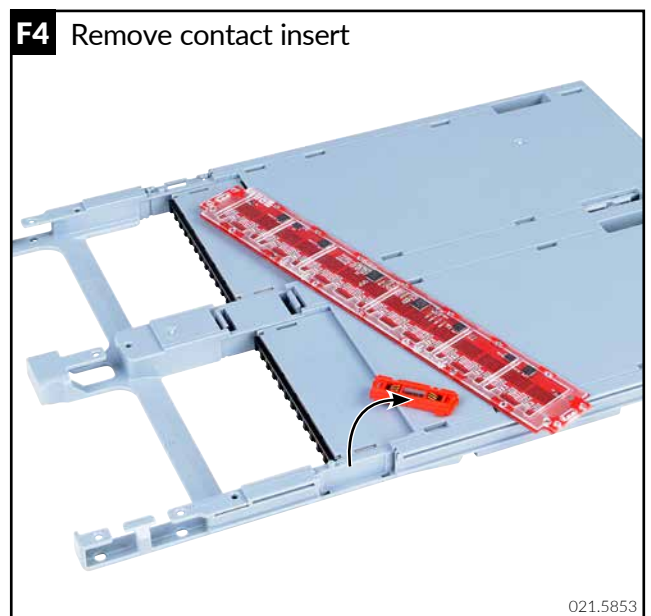
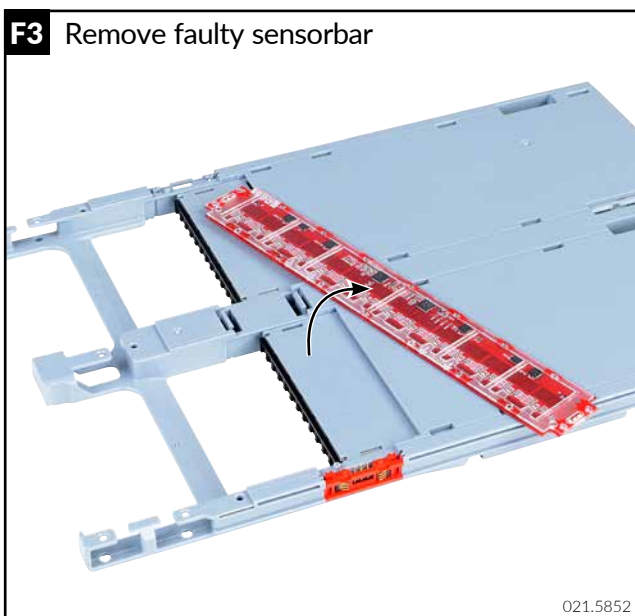
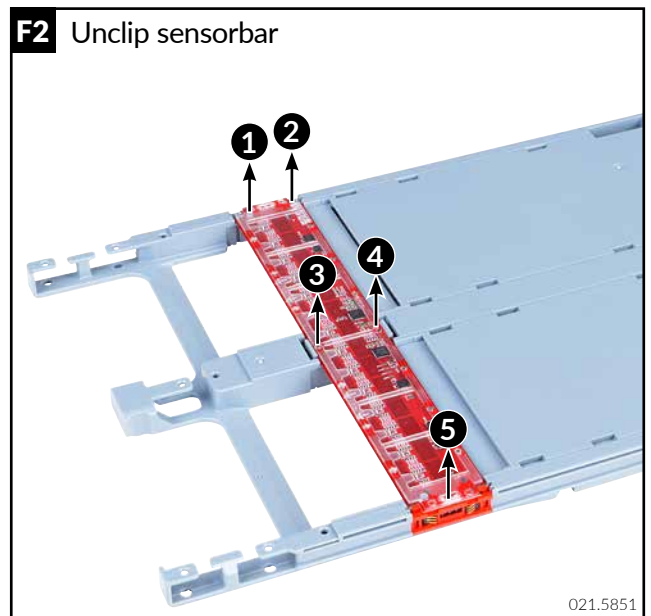
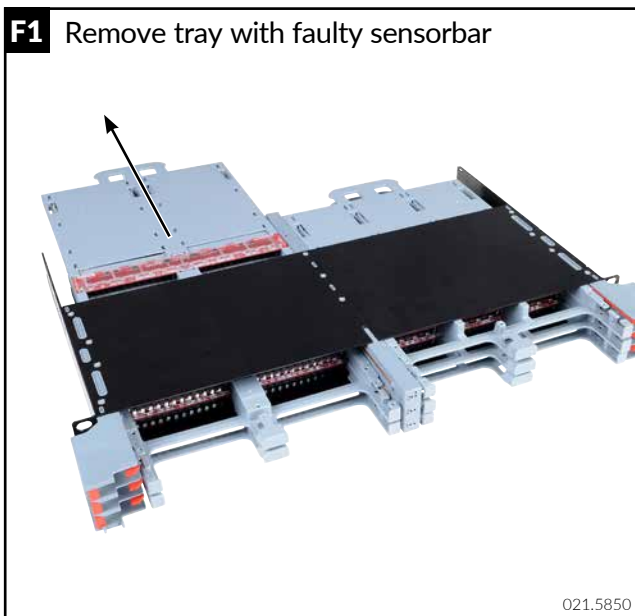


E2 Remove PCU

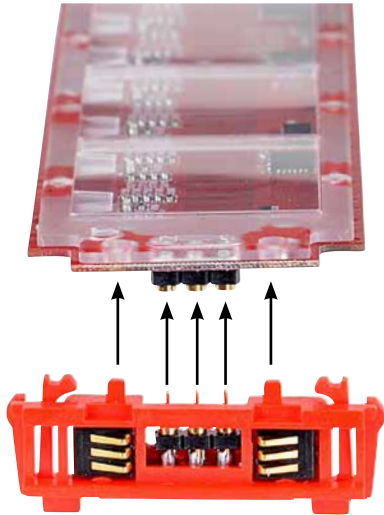




F - Replacing sensorbar



F5 Attach contact insert to sensor bar



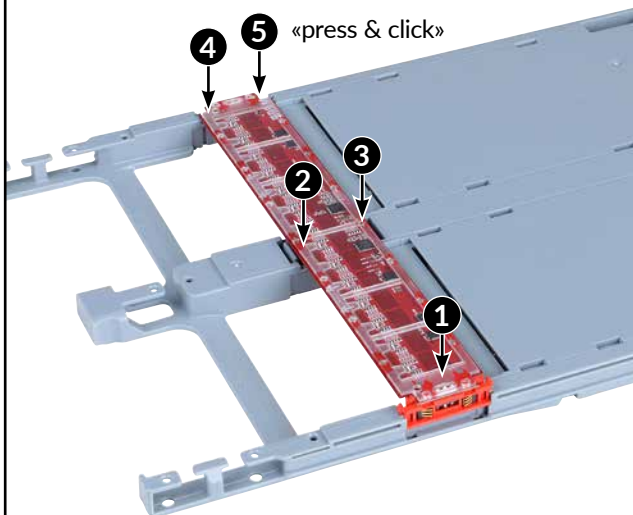
021.5854

F6 Check for alignment



021.5855

F7 Secure sensorbar



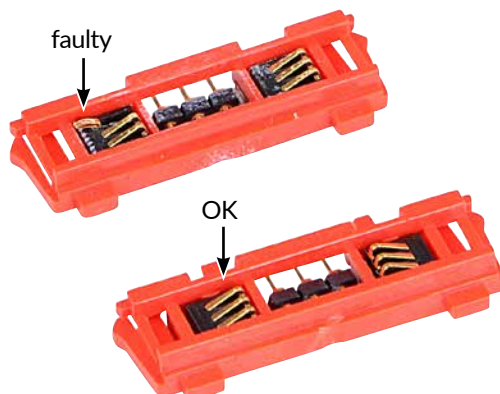
021.5838

G - Replacing contact insert

G1 Remove sensorbar

See F1 - F4

G2 Replace faulty contact insert



021.5856

G3 Attache new contact insert to sensorbar and secure sensorbar

See F5 - F7

G – License conditions

1 YOUR R&M PRODUCT CONTAINS SOFTWARE, WHICH IS LICENSED UNDER THE FOLLOWING TERMS AND CONDITIONS. PLEASE READ THE TERMS OF THIS END USER LICENSE AGREEMENT («AGREEMENT») CAREFULLY BEFORE USING YOUR R&M PRODUCT.

2 Licensor

The licensor of the R&M Software and contracting party is
Reichle & De-Massari AG, Binzstrasse 32, CH-8620 Wetzikon
Telephone: +41 44 933 81 11
Telefax: +41 44 930 49 41
E-Mail: rdminteliPhy-support@rdm.com

3 Definitions

The terms used in this Agreement have the following meaning :

Agreement	End User License Agreement for the R&M Software.
End User Entity	The legal Entity which purchases and/or uses the R&M Software and is licensee.
R&M	Reichle & De-Massari AG, Wetzikon and all other companies owned by Reichle & De-Massari Holding AG.

4 General Terms

R&M Software is offered to the End User Entity as a part of certain R&M products. The following describes the license terms.

The R&M Software is copyrighted and licensed. This agreement is an agreement between R&M and the contracted End User Entity and provides a license to use the software and contains warranty information and liability disclaimers, and any updates, upgrades, bug fixes or modified versions thereto ("Software") and related documentation. Furthermore, this Agreement contains rights, by way of third-party clauses, for intelPhy net. When using R&M Software through or combined with third party software the license terms of the third party govern the use of the third-party software and its related services.

This agreement is a legal agreement between you and R&M governing your use of the R&M Software. (including the embedded R&M software and third-party software) that came installed on the R&M product. By using your R&M product, you are agreeing to be bound by the terms of this agreement.

If you do not agree to the terms of this agreement, you are not granted any rights in the software, and you should not use the R&M product.

If you do not agree to the terms of this agreement and are the original end user purchaser of the R&M Software, you may return the unused and undamaged R&M Software or the R&M product containing R&M Software in its original packaging with all accompanying documentation and other items to the place where you obtained it within 30 days after purchase from R&M.

5 Software License

Subject to compliance with the terms and conditions of this agreement R&M hereby grants the End User Entity the right to use the R&M Software.

The R&M Software is licensed solely in executable code format and solely for own internal business use by the End User Entity.

The End User Entity shall not be entitled to effect any changes to the R&M Software. This shall not apply to changes required to rectify malfunctions, provided R&M is in default with the rectification of the malfunction, refuses the rectification of the malfunction or is not capable of rectifying the malfunction. The End User Entity shall take the necessary precautionary measures to prevent the utilization of the R&M Software by unauthorized users or third parties.

6 License rights and obligations

Except as expressly set out in this Agreement or as permitted by any local law, you agree:

- 6.1 Not to use the R&M Software in any unlawful manner, for any unlawful purpose, or in any manner inconsistent with these license terms, or act fraudulently or maliciously, for example, by hacking into or inserting malicious code, including viruses, or harmful data, into the R&M Software.
- 6.2 Not to copy the R&M Software except where such copying is incidental to normal use of the R&M Software, or where it is necessary for back-up or operational security.
- 6.3 Not to transfer, rent, lease, sublicense, loan, translate, merge, adapt, vary or modify the R&M Software on its own. However, if the R&M Software is embedded in an R&M product, it may be rented, leased or sold as part of a rent, lease or sales agreement covering the R&M product.
- 6.4 Not to make alterations to, or modifications of, the whole or any part of the R&M Software or permit the R&M Software or any part of it to be combined with, or become incorporated in, any other programs.
- 6.5 To undertake all reasonable precautions to ensure that no unauthorized person shall have access to the R&M Software and to maintain the confidentiality of the R&M Software, and all know-how and trade secrets incorporated therein.
- 6.6 Not to disassemble, decompile, reverse-engineer or create derivative works based on the whole or any part of the R&M Software or attempt to do any such thing except to the extent that, by virtue of the Software Directive 2009/24/EG (Article 5) and the Swiss Copyright Act (article 21), such actions cannot be prohibited when they are essential for the purpose of use or achieving interoperability of the R&M Software with another software program, and provided that the information obtained by you during such activities:
 - a) is used only for achieving interoperability of the R&M Software with another software program
 - b) is not unnecessarily disclosed or communicated without R&M's prior written consent to any third party.
 - c) is not used to create any software that is substantially similar to the R&M Software.

7 Intellectual Property Rights and confidentiality

The End User Entity acquires only the right to use the R&M Software and does not acquire any rights, express or implied, in the R&M Software other than those specified in this Agreement.

The End User Entity acknowledges that all copyright, patents or intellectual property rights of whatever nature in the R&M Software shall remain vested solely in R&M or its third parties.

8 Incorporation of Open Source Software

Certain software libraries and other third-party software included in the Software are «free» or «open source» software and are subject to separate license terms («Open Source Software»). Such Open Source Software is distributed without any warranty, without even the implied warranty of merchantability or fitness for a particular purpose.

9 Limited warranty and limitation of liability

R&M does not warrant, guarantee or make any representations that the functions contained in the R&M Software will meet requirements or that the operation of the R&M Software will be uninterrupted or error-free or that R&M will be able to rectify any problem encountered by the End User Entity in the R&M Software.

Except as expressly provided in this Agreement, the R&M Software is provided «as is» with-out any warranty of any kind, either expressed or implied, including but not limited to implied warranties of merchantability and fitness for a particular purpose.

R&M shall be under no liability in respect of any defect arising from normal wear and tear, willful damage, negligence, abnormal working conditions, failure to follow R&M instructions (whether oral or written), misuse or alteration or repair of the R&M Software without R&M approval.

Any liability of R&M for indirect or consequential loss or damage such as any loss of profit, loss of business, business interruption, or loss of business opportunity resulting from the use of R&M Software shall be excluded.

10 Termination of License

This license will terminate automatically if the End User Entity fails to comply with any provision of this license or upon transfer of the R&M Software and documentation to third parties without prior approval by R&M. R&M may terminate the End User Entity's right to install, electronically access and use R&M Software if the End User Entity fails to comply with any of the license terms.

Except in cases of serious or irremediable breach, R&M will give the End User Entity notice of breach and a reasonable opportunity to cure such breach before the license will be terminated.

11 Software Upgrades

In the case of an upgrade of R&M Software from a prior version, End User Entity must possess R&M Software or an R&M product containing such a prior version.

12 General provisions

These terms shall control over the terms of any purchase order or other writing issued by the End User Entity or on its behalf or other communication between the End User Entity and R&M.

R&M may change these terms at any time by including such changed terms together with a Software update, or by any other suitable means of communication. By updating the R&M Software the End User Entity agrees to the revised terms.

This Agreement shall exclusively be governed by the substantive national laws of Switzerland under exclusion of the conflict of laws provisions and the UN CISG (Convention on Contracts for the International Sale of Goods).

The exclusive place of jurisdiction for disputes arising from this Agreement is the domicile of R&M. However, R&M may also bring action against the End User Entity at its domicile.

Headquarters

Switzerland

Reichle & De-Massari AG
Binzstrasse 32
CHE-8620 Wetzikon
Telephone HQ +41 (0)44 933 81 11
Telefax HQ +41 (0)44 930 49 41
E-Mail hq@rdm.com

www.rdm.com



Please note:

This guide shows the best practices for installation **ONLY**. R&M expressly disclaims all liability for any damage to material, equipment, and for any injury or death. Legal health and safety regulations should have priority over best practices as shown in this guide. R&M does not guarantee this guide to be free of errors. Products included may vary from products shown. Please exercise caution.