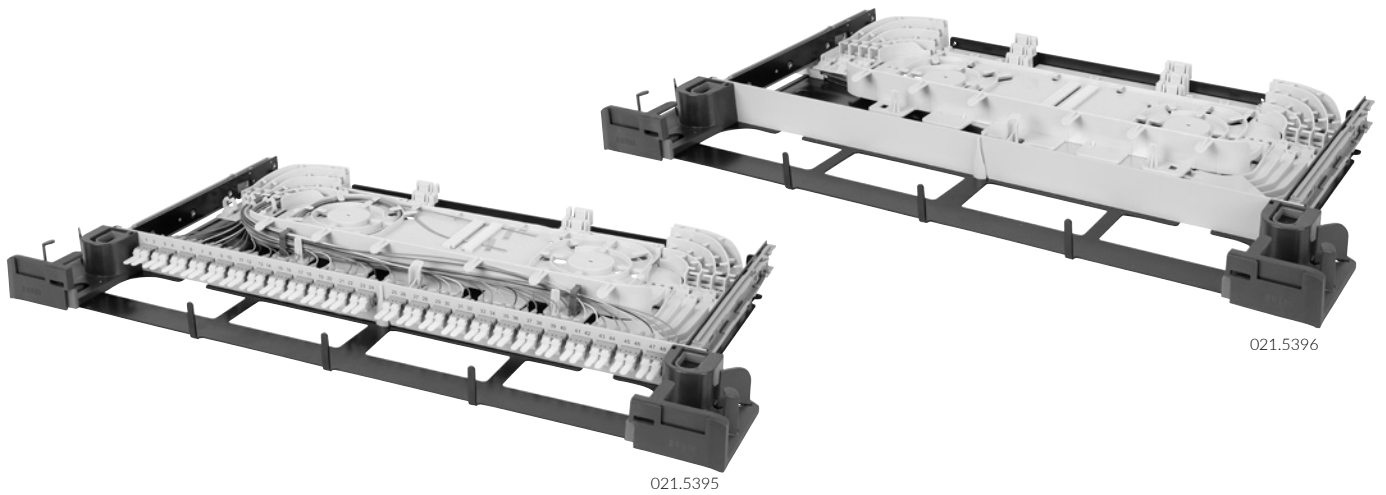
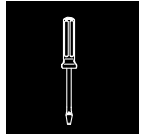
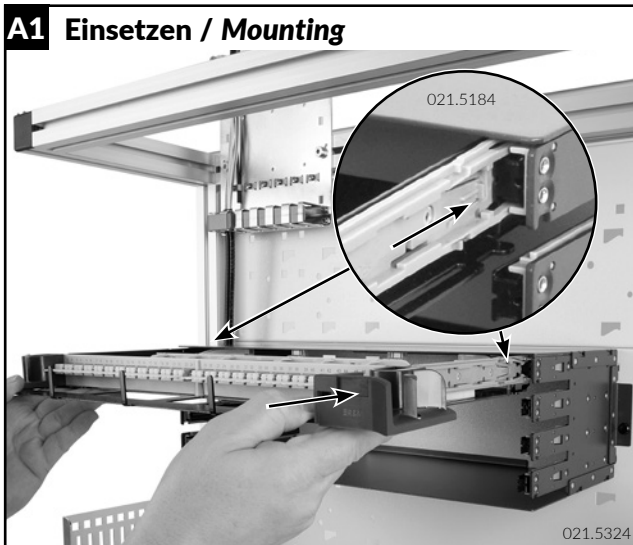


Installationsanleitung PRIME-3/4U-FTU/FSU
Installation guide PRIME-3/4U-FTU/FSU
Instructions de montage PRIME-3/4U-FTU/FSU

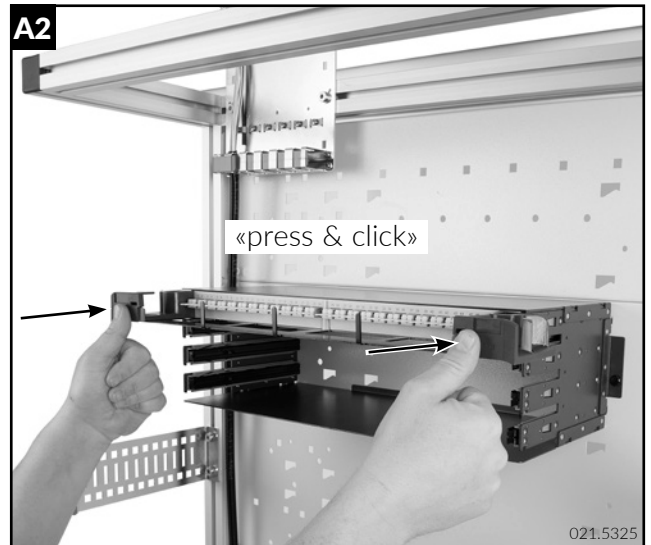


A - Montage im PRIME-Gestell / Mounting in PRIME-cabinet

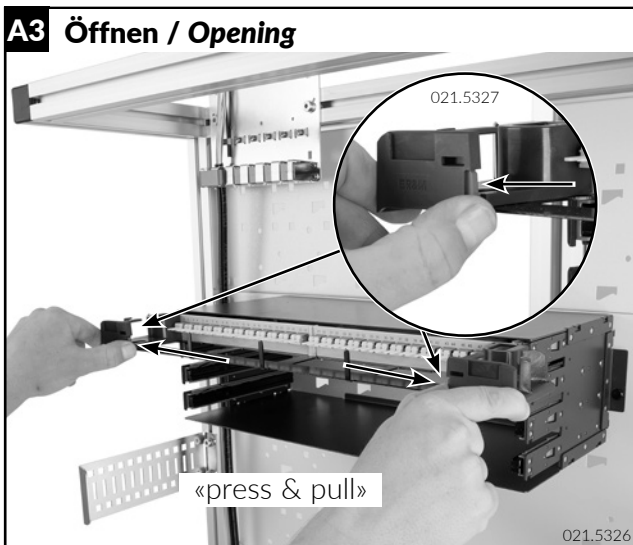
A1 Einsetzen / Mounting



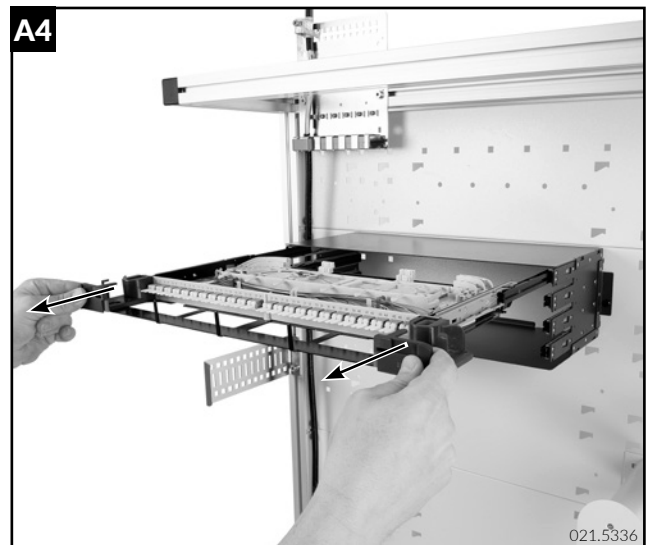
A2



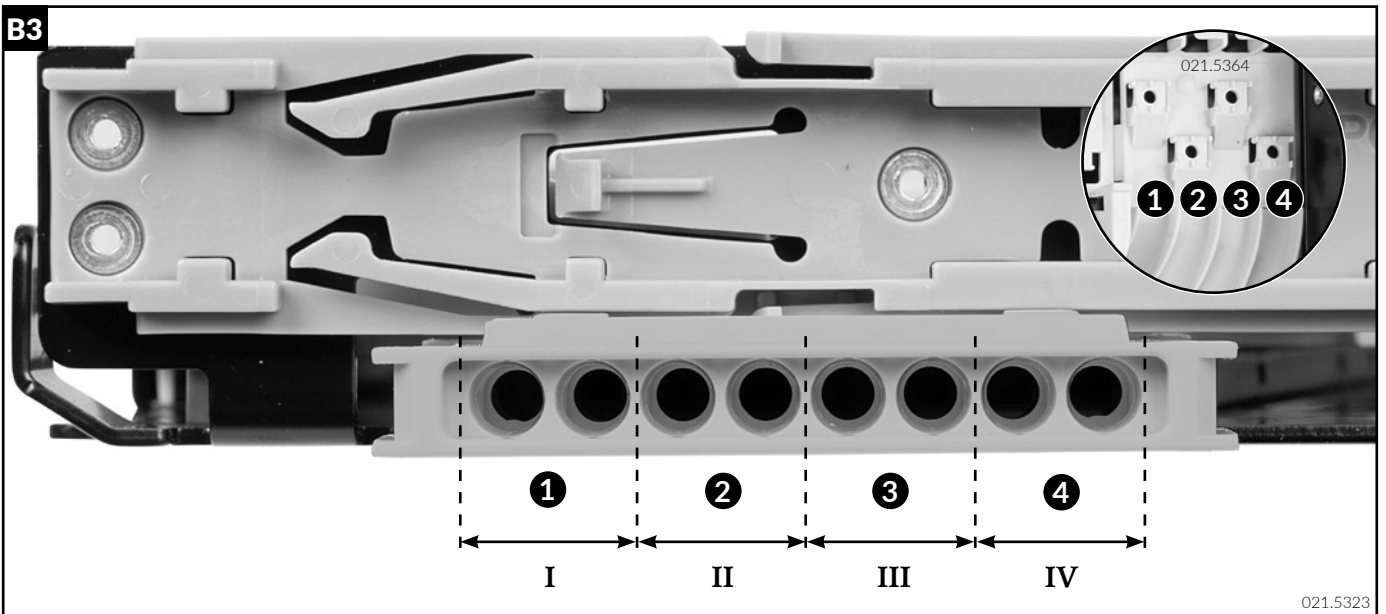
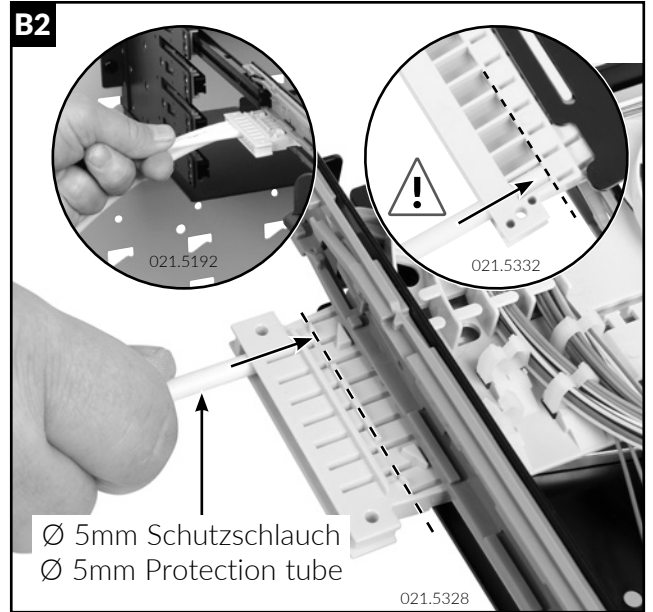
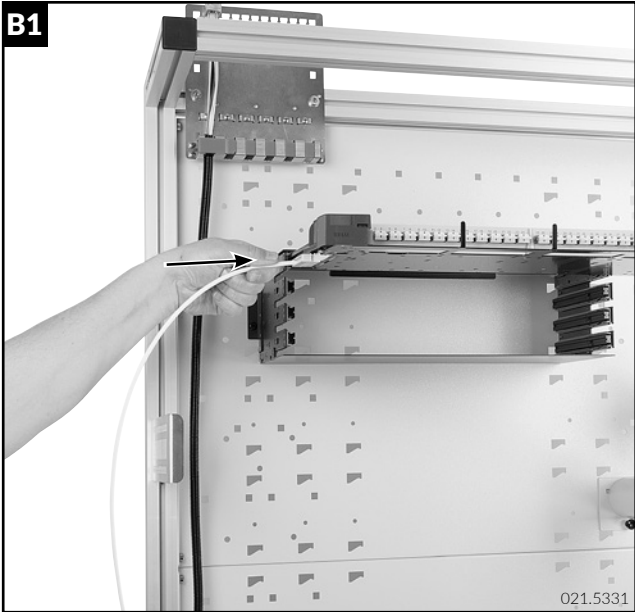
A3 Öffnen / Opening



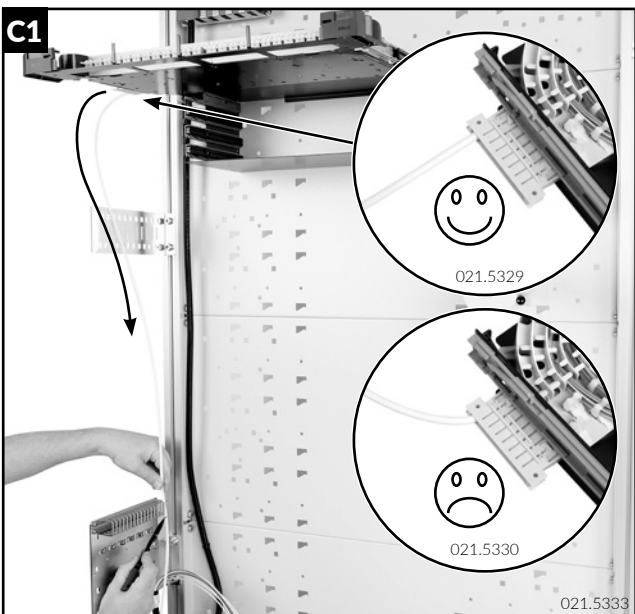
A4

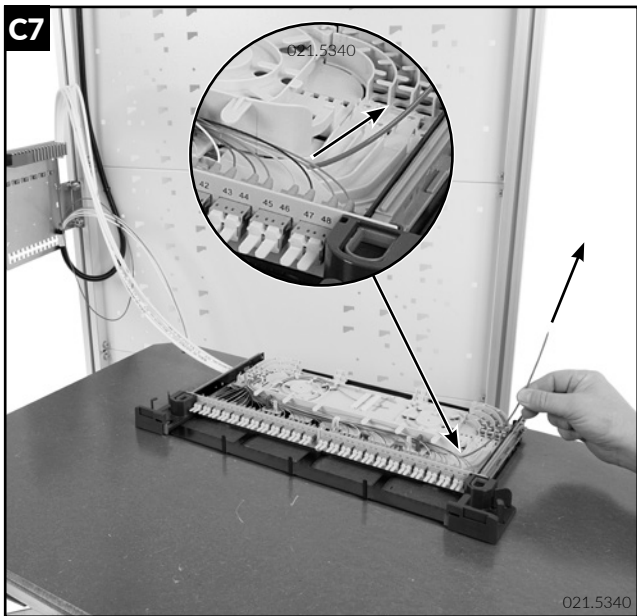
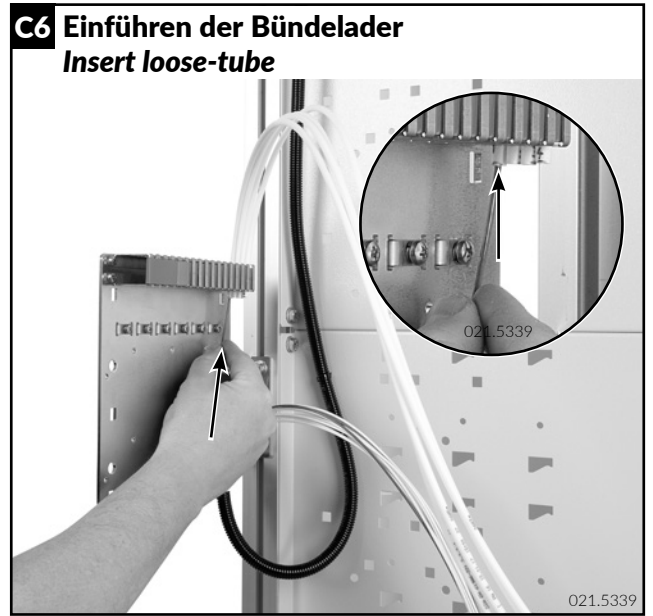
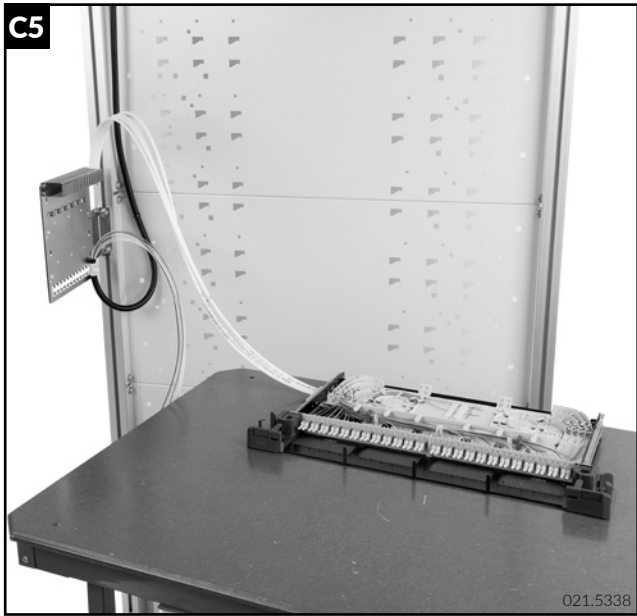
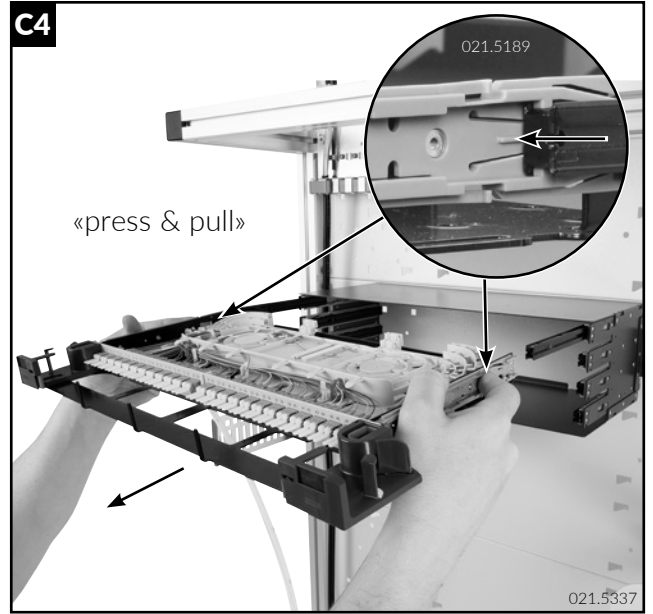


B - Kabelzuführung von der Seite / Cable feeding from the side

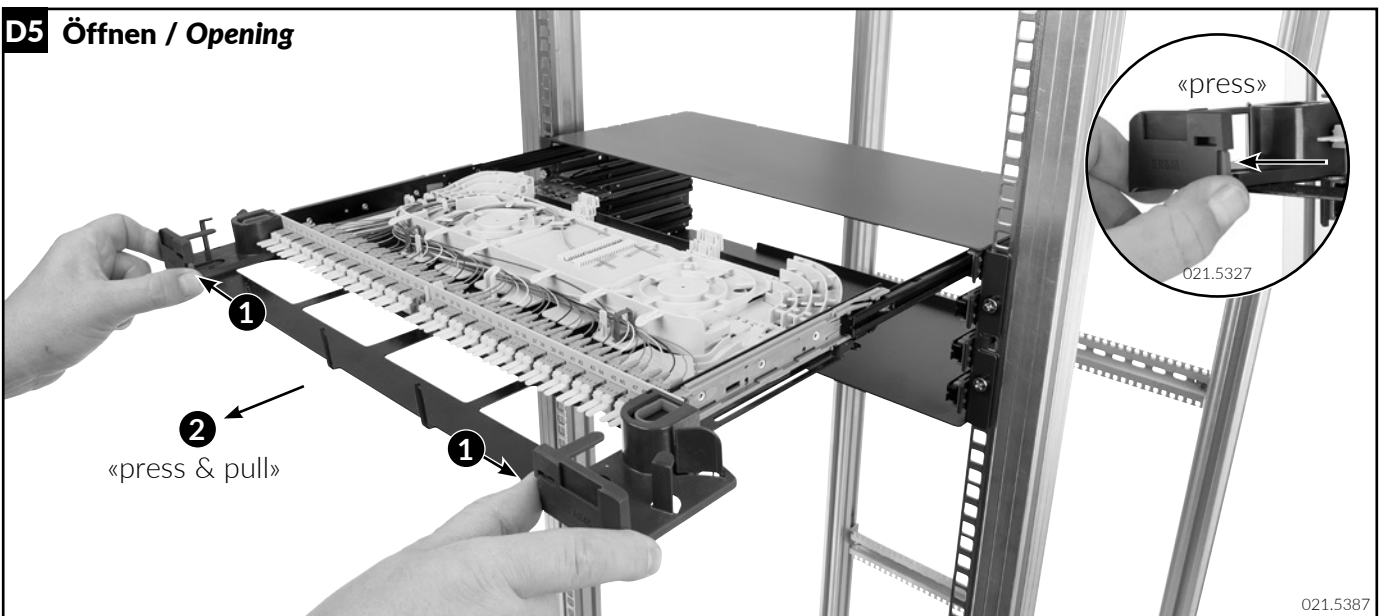
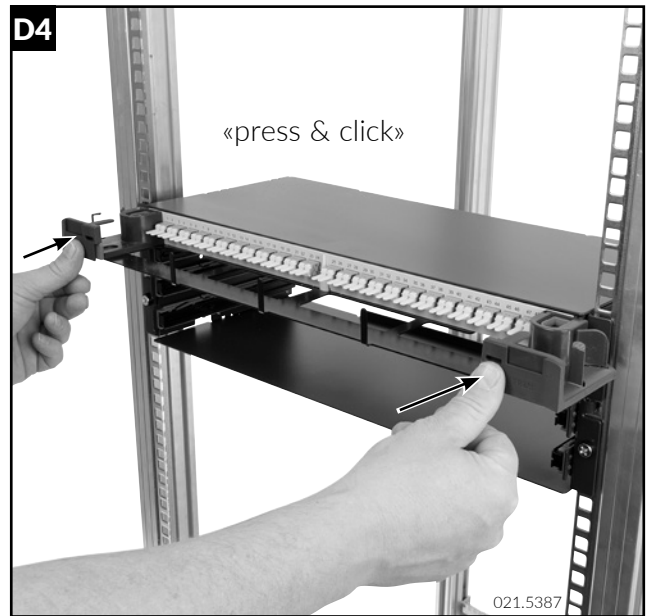
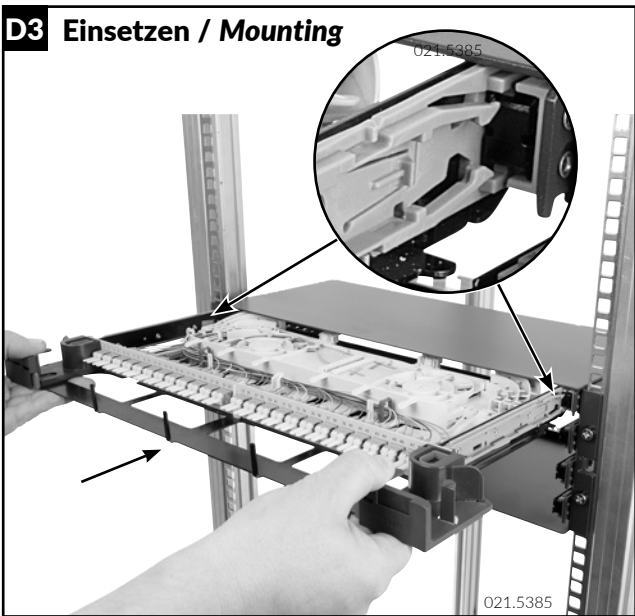
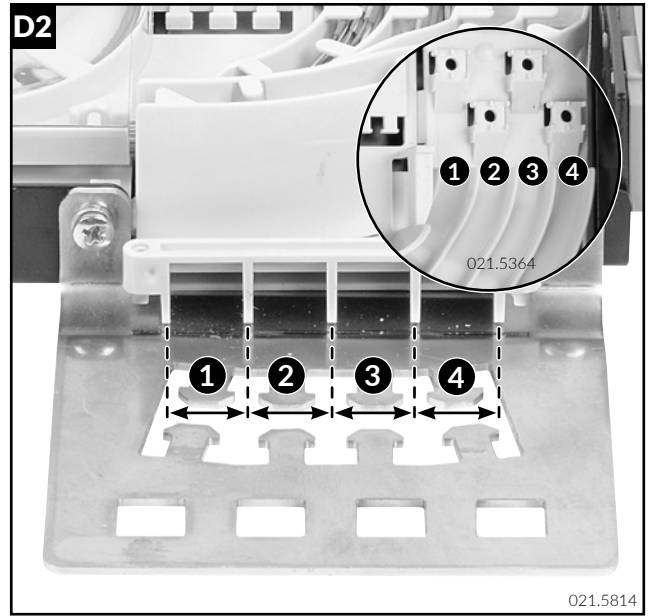
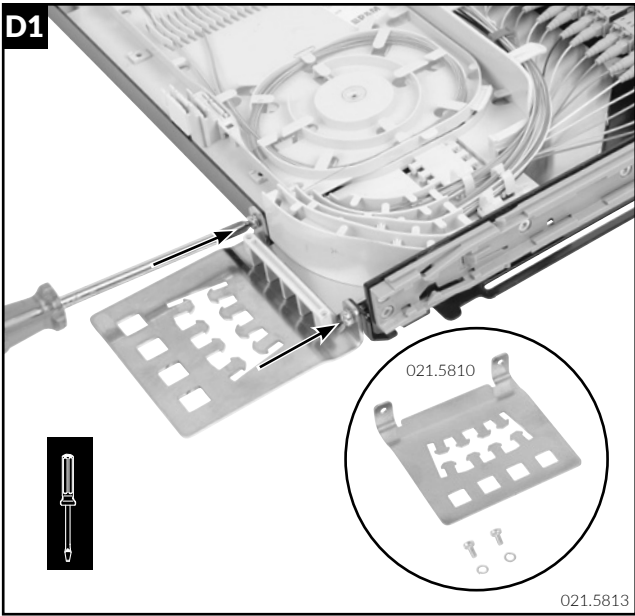


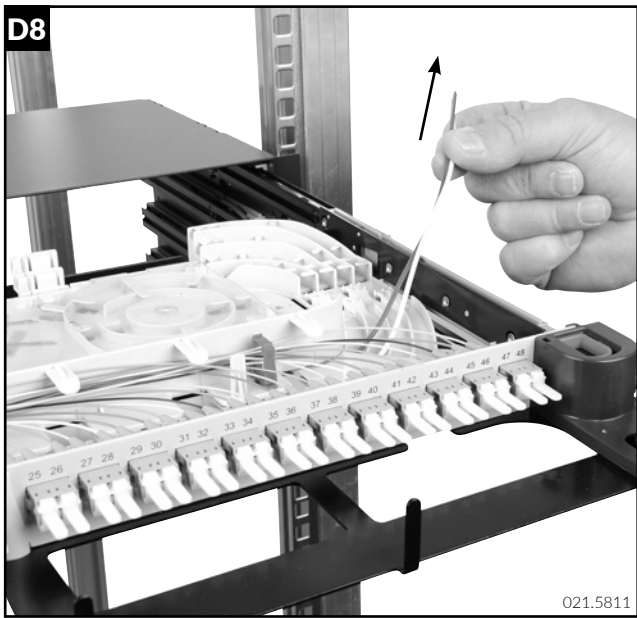
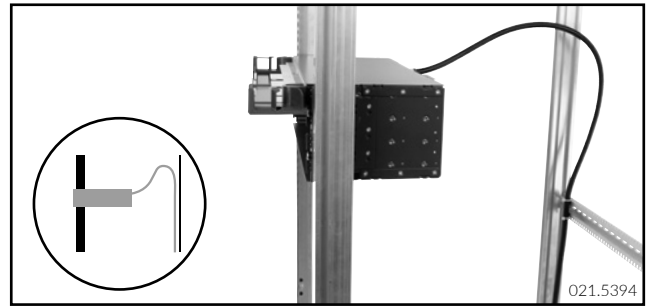
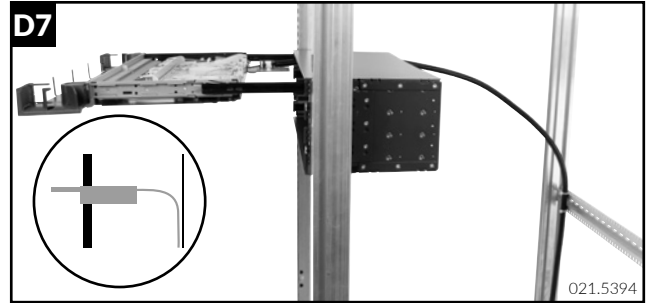
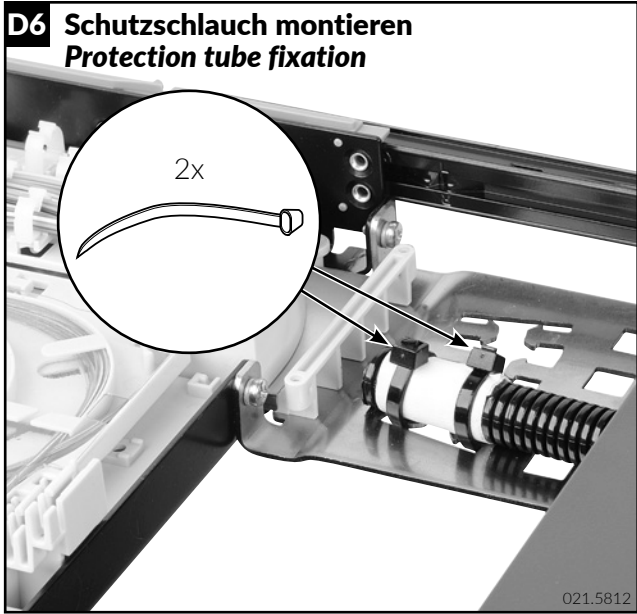
C - Kabelaufteiler / Cable distribution



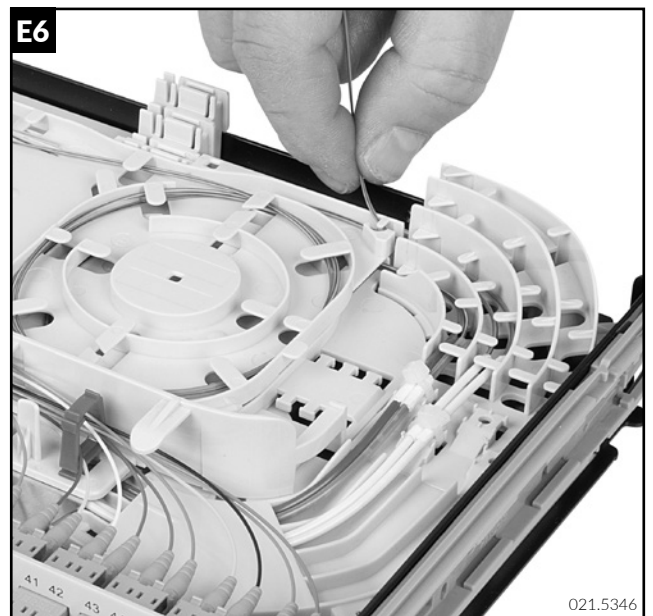
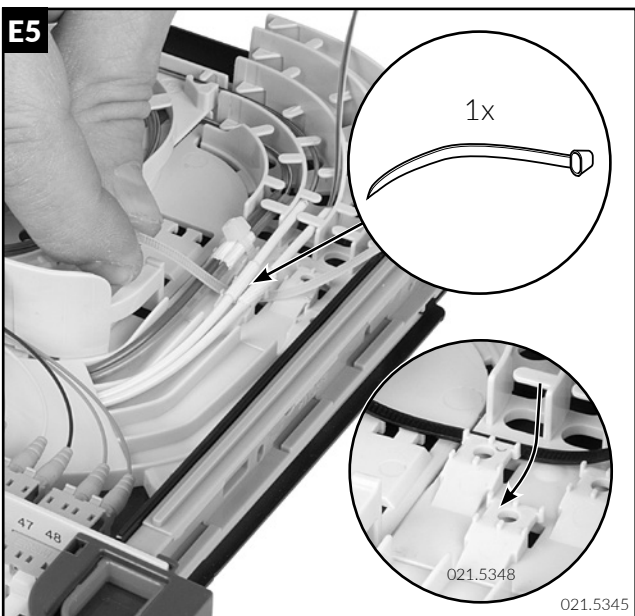
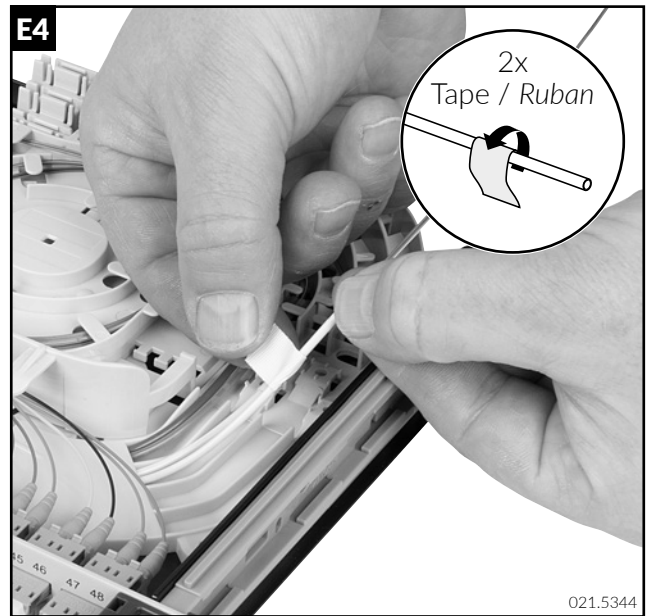
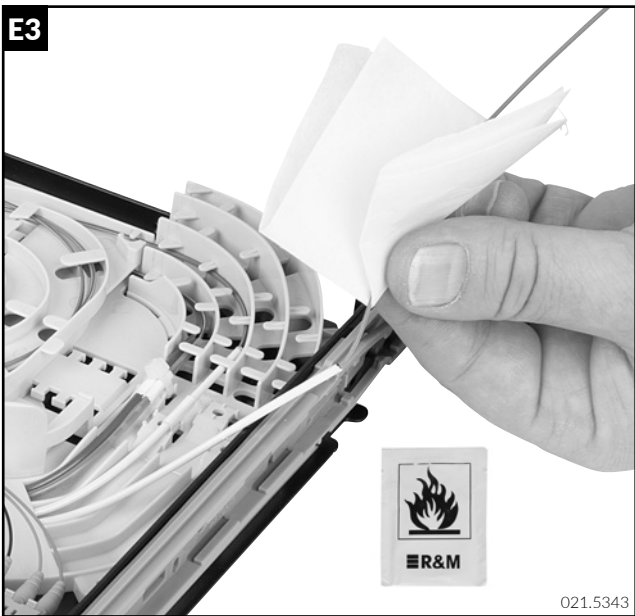
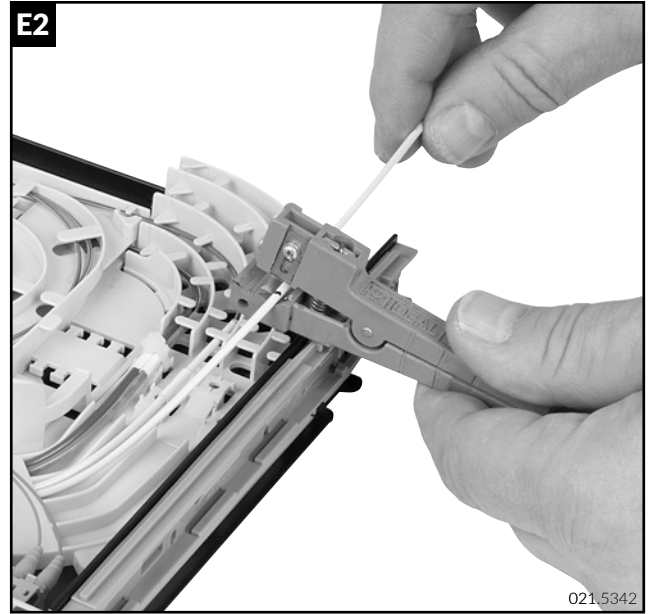
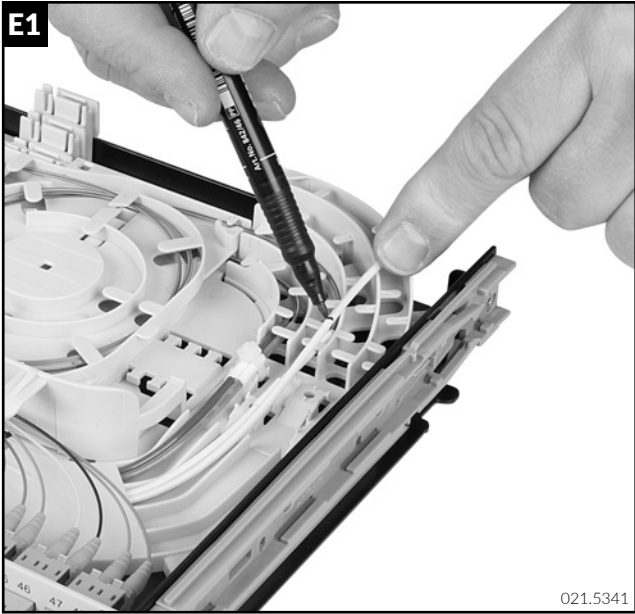


D - Montage im 19" Gestell mit frontseitiger Befestigung / Mounting in 19" cabinet with front rail fixation

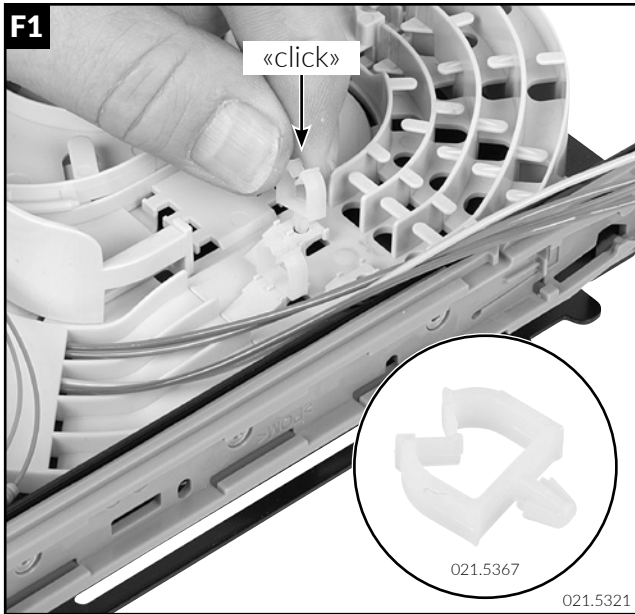




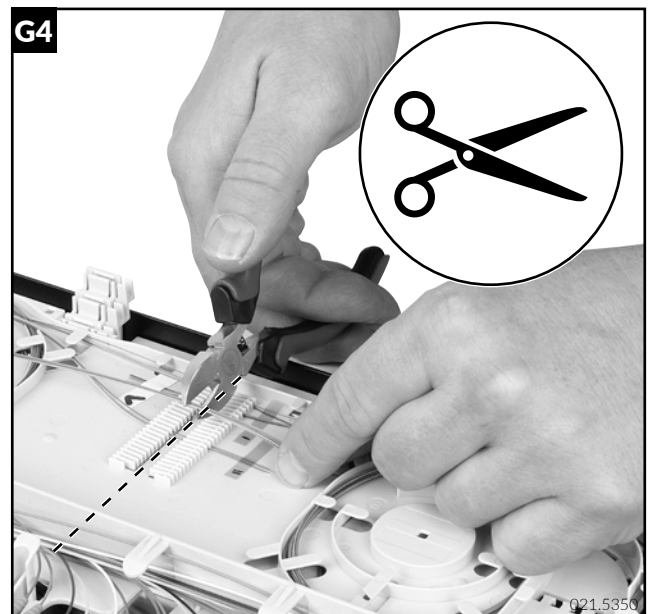
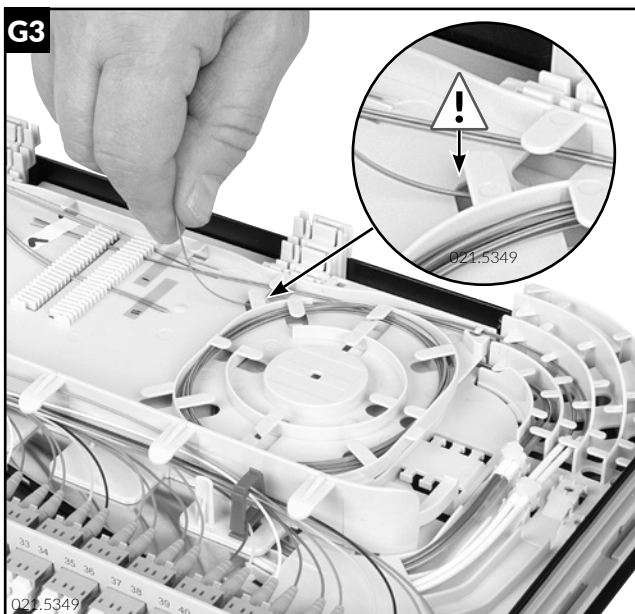
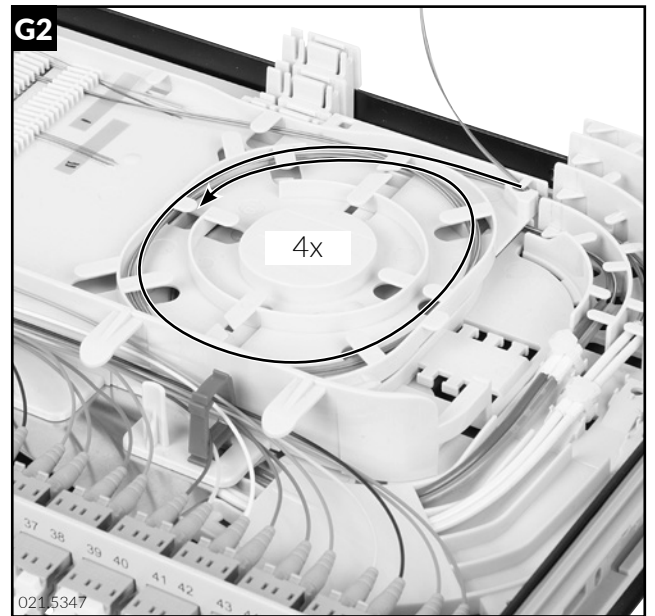
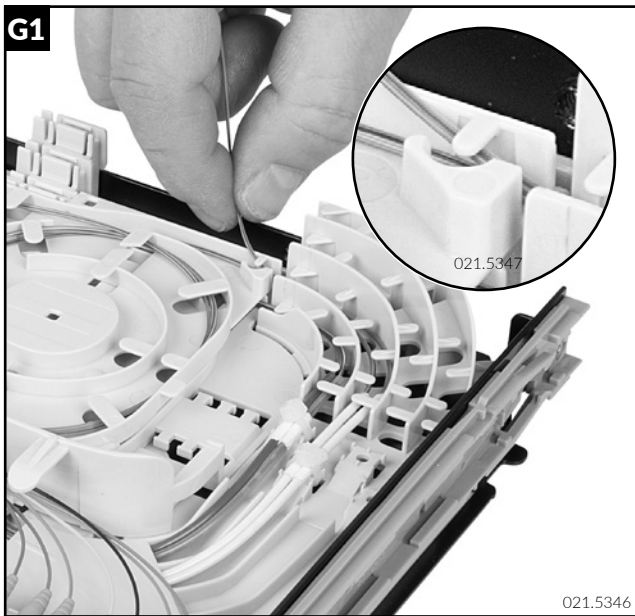
E - Bündelader und Fasereinführung / Loose-tube and fiber insertion



F - Optional (Clip) / Optional (Clip)



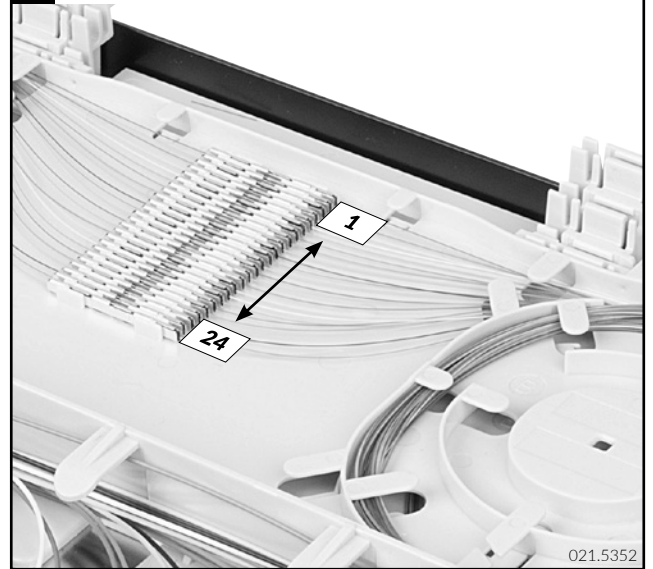
G - Faser spleissen / Fiber splice



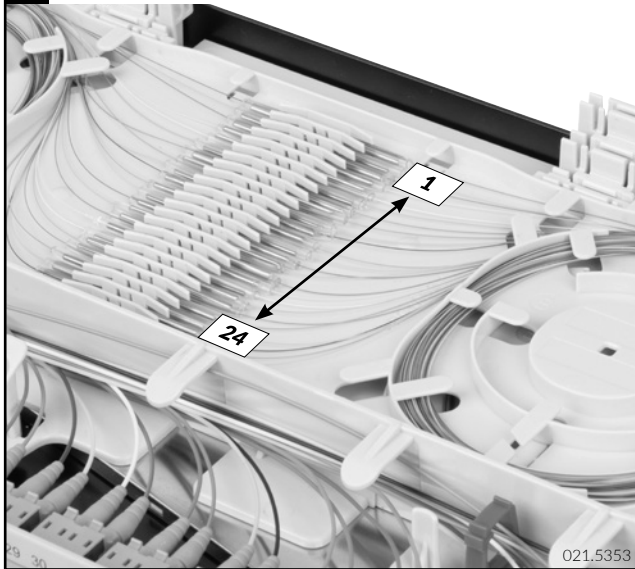
G5 ANT



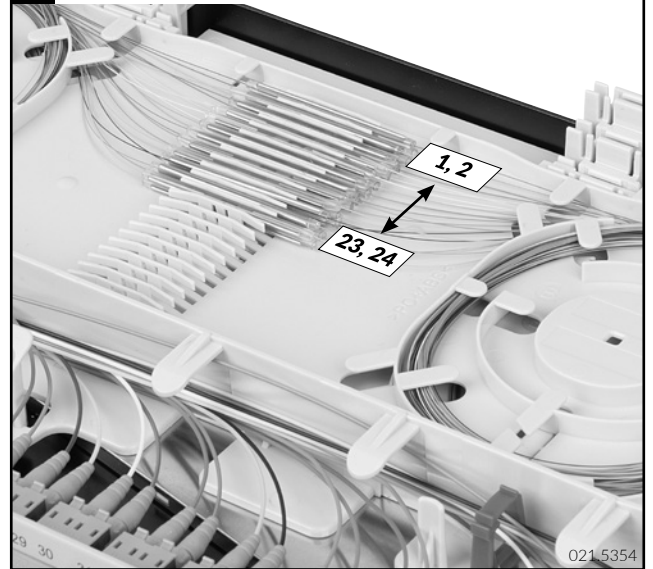
G6 ANT



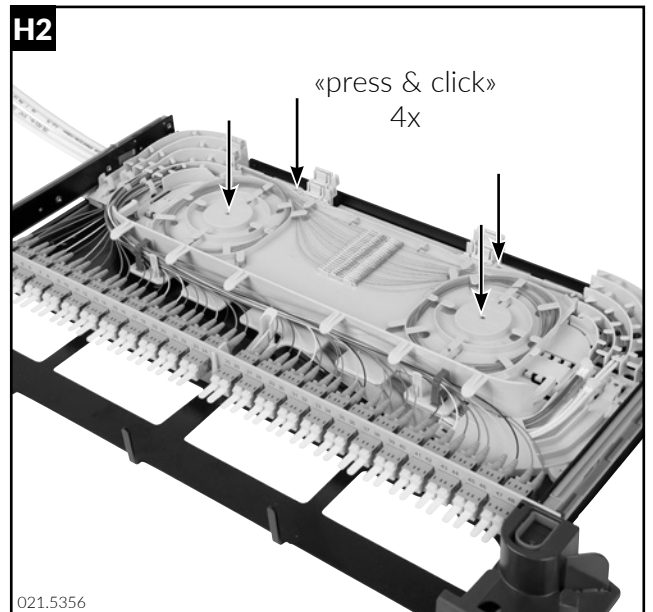
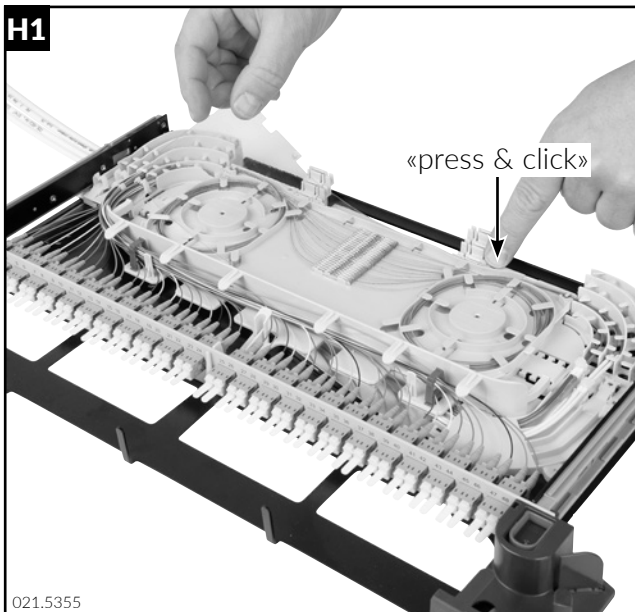
G7 HS (Einlagig 1-24 / Single layer 1-24)



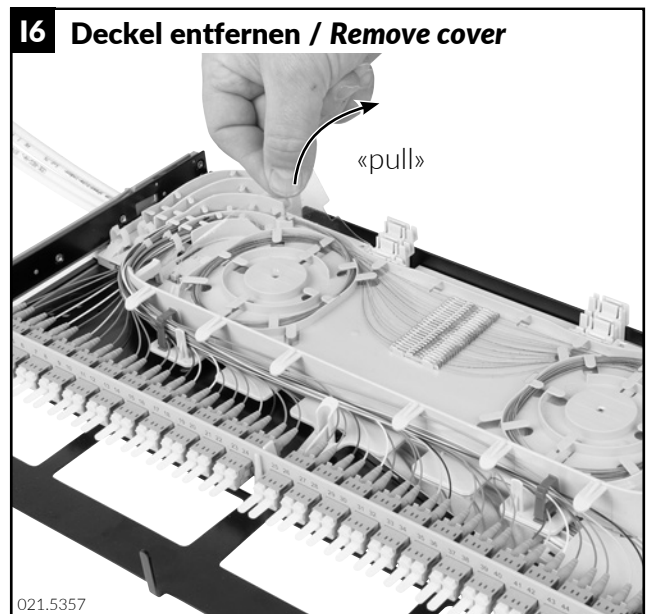
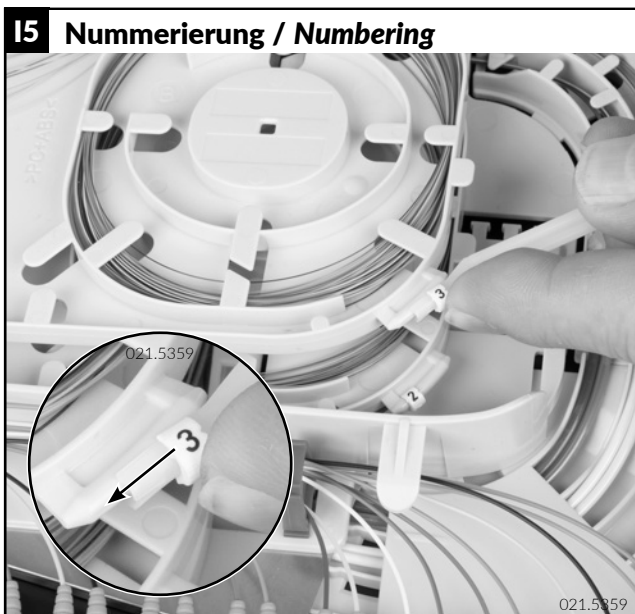
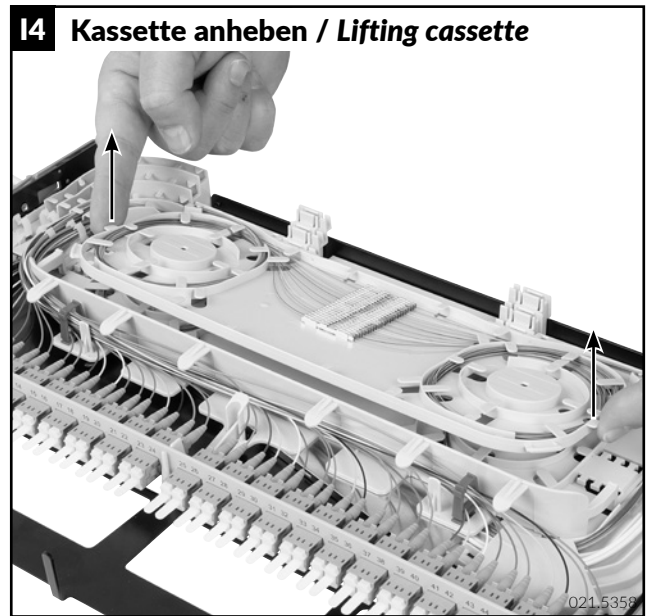
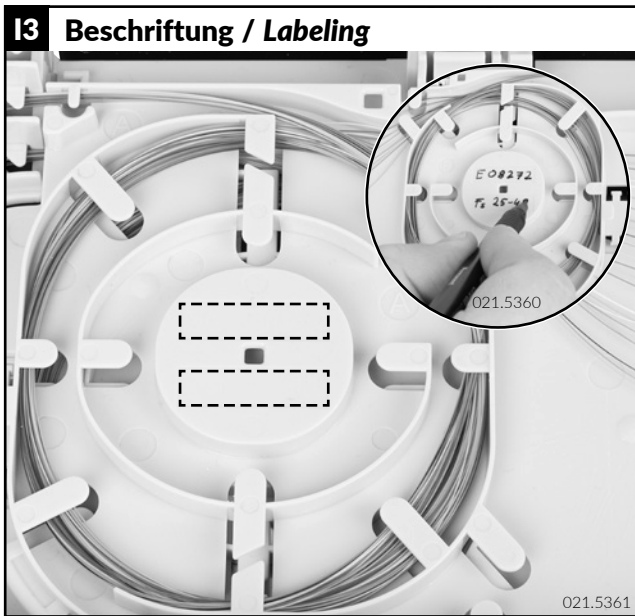
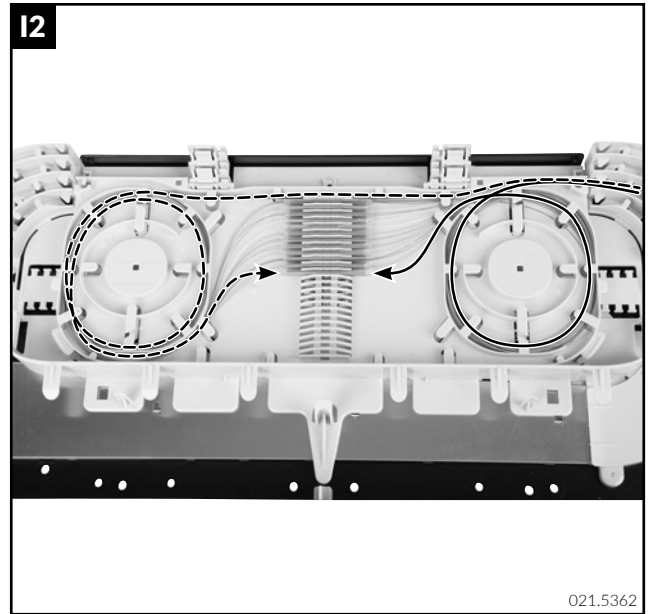
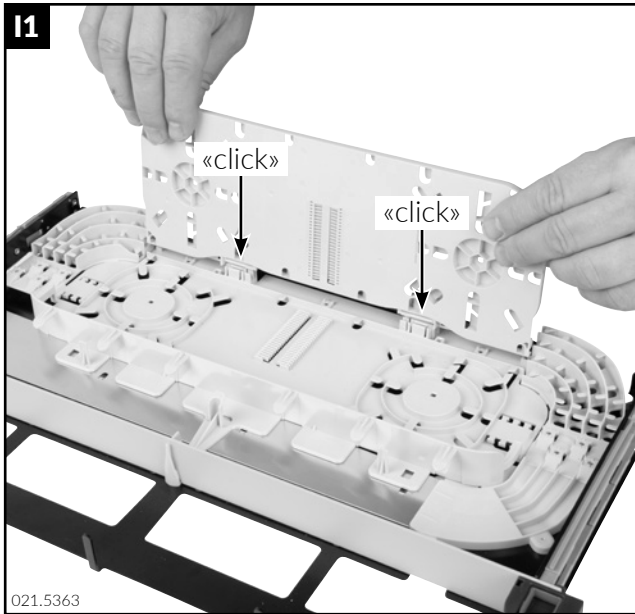
G8 HS (Doppellagig 1-48 / Double layer 1-48)



H - Deckel / Cover

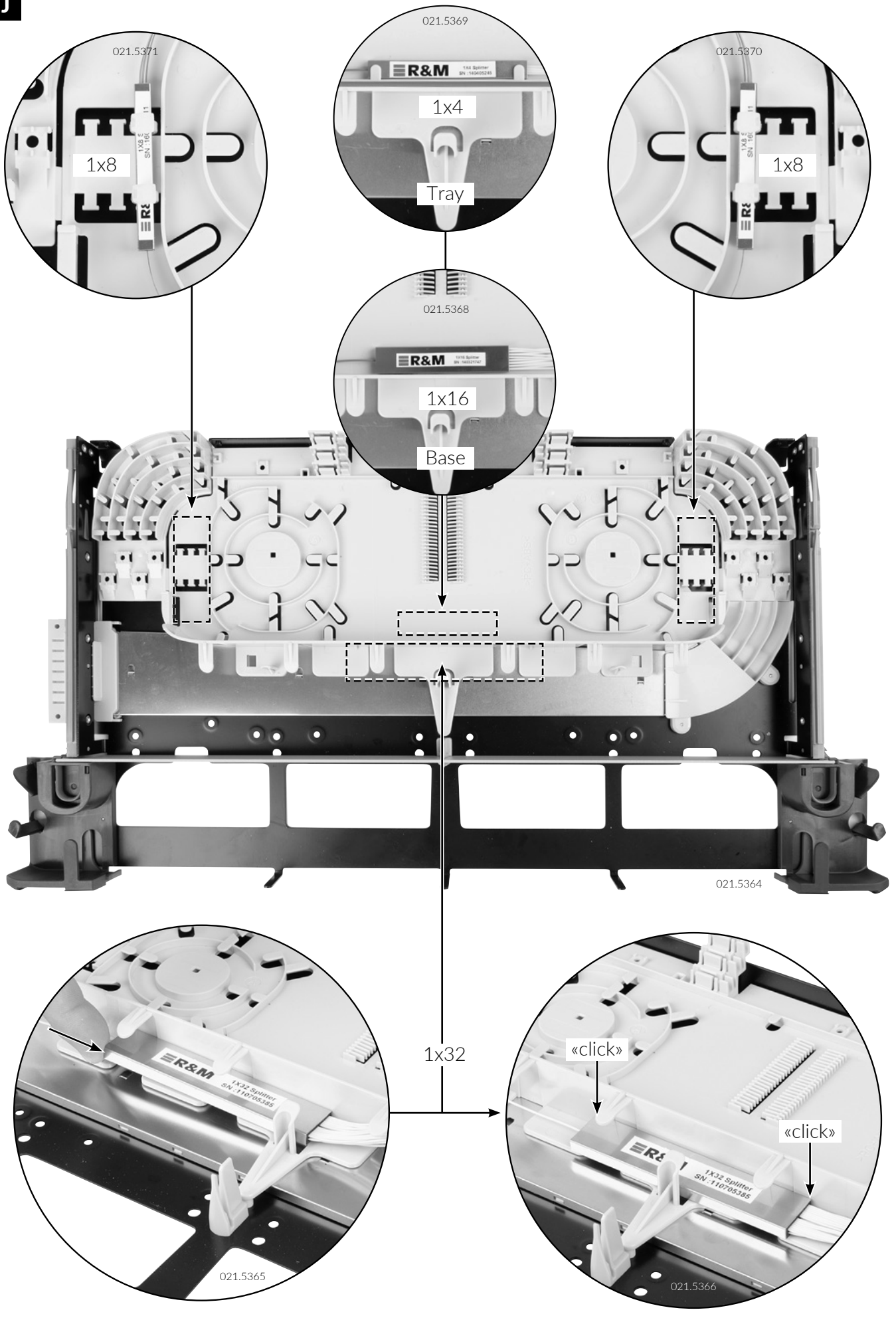


I - MCM-Spleisskassetten / MCM-Splice tray

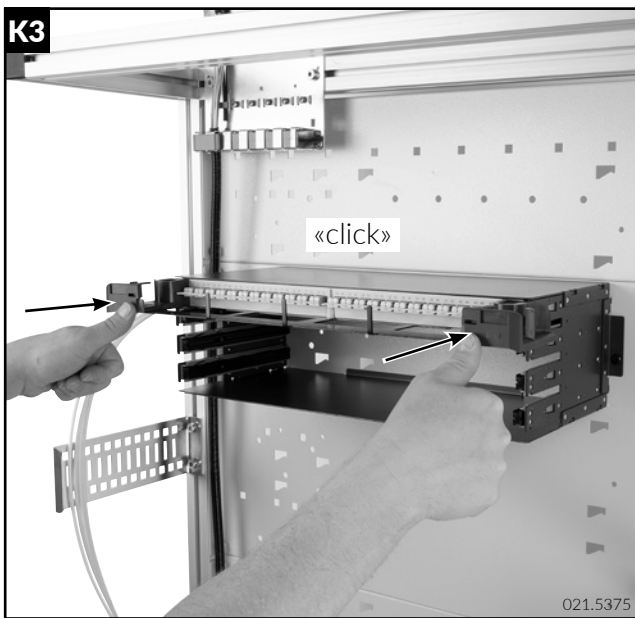
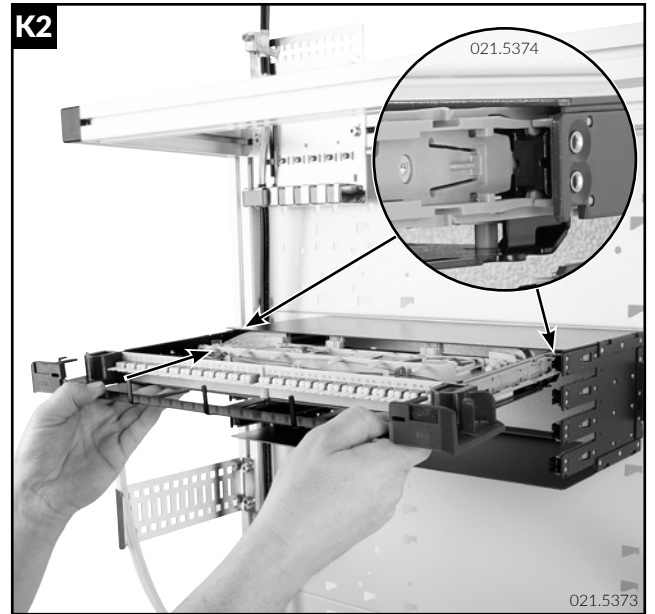
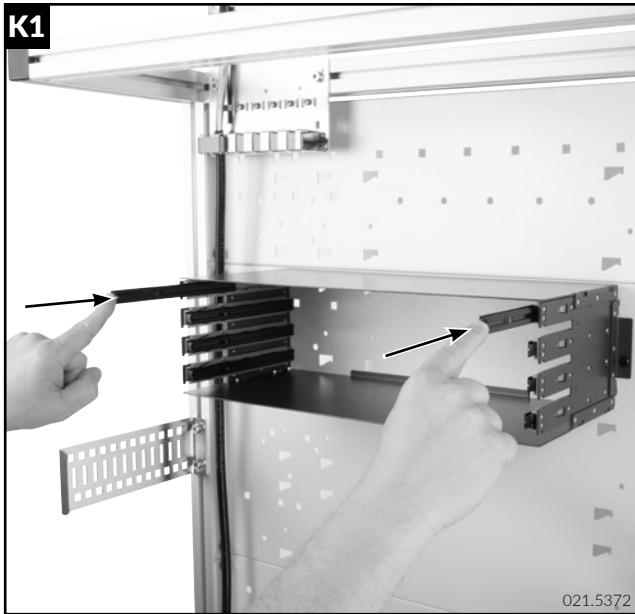


J - Splitter Befestigungspunkte / Splitter mounting point

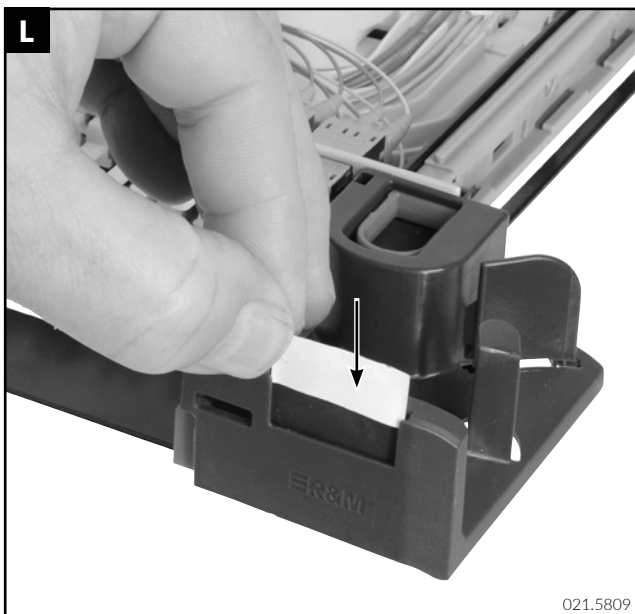
J



K - Einsetzen / Mounting



L - Beschriftung / Labeling



Headquarters

Switzerland

Reichle & De-Massari AG

Binzstrasse 32

CHE-8620 Wetzikon

Telephone HQ +41 (0)44 933 81 11

Telefax HQ +41 (0)44 930 49 41

E-Mail hq@rdm.com

www.rdm.com



Please note:

This guide shows the best practices for installation **ONLY**. R&M expressly disclaims all liability for any damage to material, equipment, and for any injury or death. Legal health and safety regulations should have priority over best practices as shown in this guide. R&M does not guarantee this guide to be free of errors. Products included may vary from products shown. Please exercise caution.