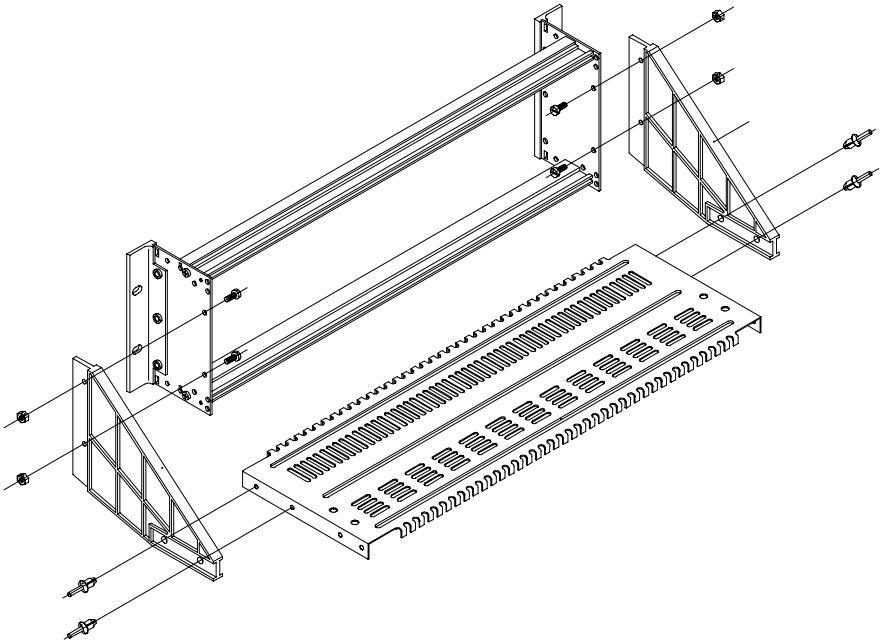




**Installation is to be performed by qualified electricians.  
Units have to be installed in limited access areas in conformance with all national and local codes.**



#### **Headquarters**

#### **Switzerland**

Reichle & De-Massari AG

Binzstrasse 32

CHE-8620 Wetzikon

Telephone HQ +41 (0)44 933 81 11

Telefax HQ +41 (0)44 930 49 41

E-Mail [hq@rdm.com](mailto:hq@rdm.com)

[www.rdm.com](http://www.rdm.com)

